

# ROMB MINI

MANUAL

Table lamp  
Broberg & Ridderstråle  
2022

pholc

## **ROMB**

Romb emerged as a result of Broberg & Ridderstråle experimenting with a rippled cardboard they use lots when modelling and developing architecture projects. The shape, a rhombus, emerged quickly and split into two forms; one larger than the other, which cast an interesting direct light upwards but also indirect down, over the base of the shape. The piece works well on narrow spaces like bookshelves or windowsills, and has a strong sculptural presence whether it's shining or not. Romb is made from custom-pressed steel with seamless edges and great attention to detail.

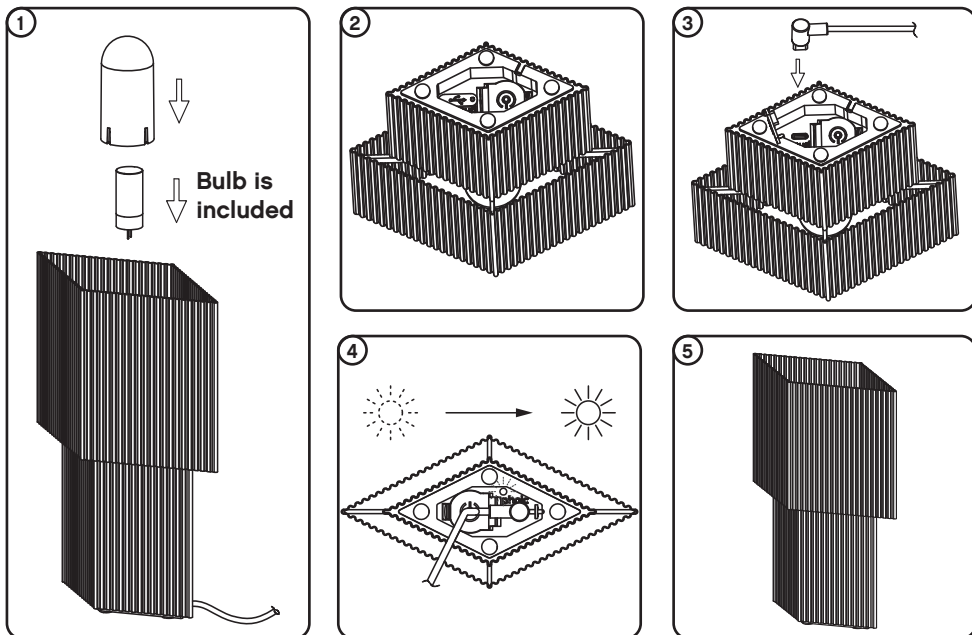
## **BROBERG & RIDDERSTRÅLE**

Mats Broberg and Johan Ridderstråle are creative collaborators based in Stockholm, Sweden, working in a mixed architecture and design practice. They strive to add an emotional value to design, and often draw inspiration from everyday life. Their creative process combines a rational approach with a dash of wit, and a clash between past and present.

## **PHOLC**

Founded in 2015 by Maja and Samuel Norburg, Pholc is a young lighting brand with a quietly exacting philosophy. Not just another Scandinavian design company, Pholc is a distinctly Swedish atelier, evident in our desire to constantly look forward. Through our collaborations with the brightest design talent, we create versatile lighting solutions that are expressive, relevant, sophisticated, and informed.

## ASSEMBLY



1. Install the light source and cover.
2. Turn the luminaire upside down
3. Insert the cable and charge via USB 5V 1A
4. Charge the battery. The LED next to the charging cable flashes during charging and is constantly lit when the battery is fully charged (approximately 5h).
5. The luminaire is now ready for use. Can be used both with and without cable.

### Cleaning instructions:

Wipe with a dry cloth

### PRODUCT

ROMB MINI  
ROMB MINI  
ROMB MINI  
ROMB MINI

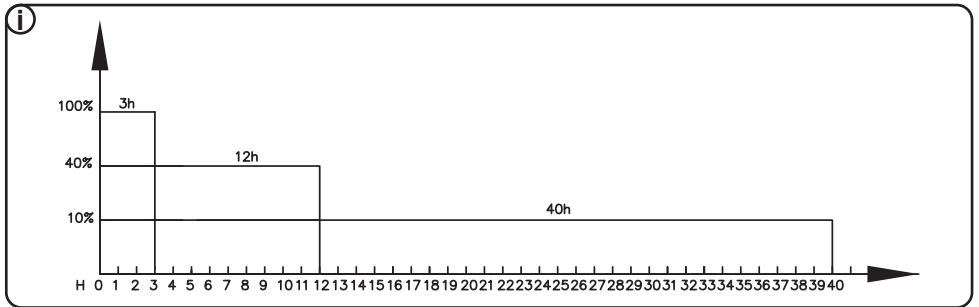
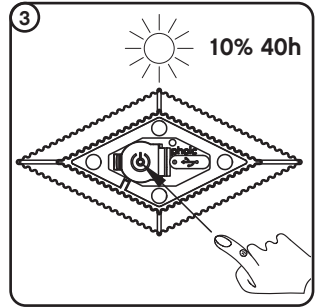
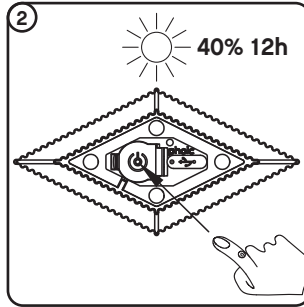
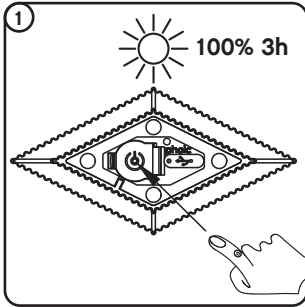
### COLOR

Vanilla  
Cotton  
Bluestone  
Cumin

### ART

227 312  
227 313  
227 317  
227 318

### 3 STEP DIMMING - (40% RECOMMENDED)



1. Turn on by touching the ON/OFF symbol, it starts at 100% light, it lasts for 3h.
2. Press again for 40% light, it lasts for 12h.
3. Press again for 10% light, it lasts for 40h.
4. Press again to turn it off.

The luminaire flashes when the battery needs to be charged.

#### 40 % dimming – Recommended step

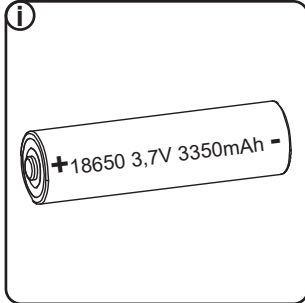
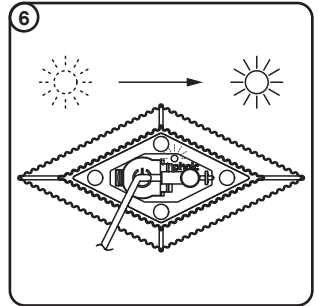
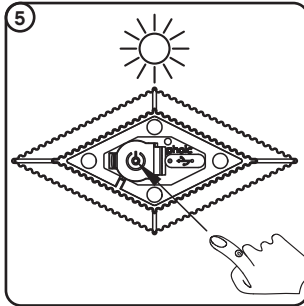
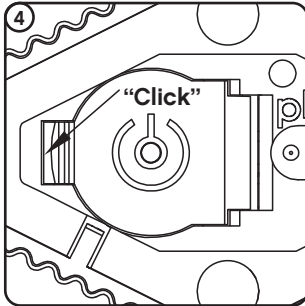
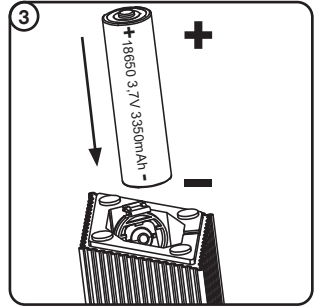
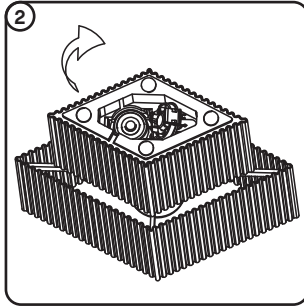
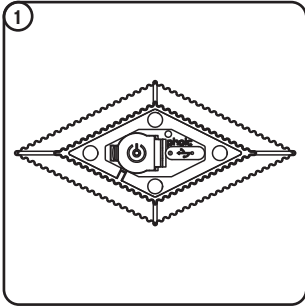
When using the 40 % dimming. The Romb Mini will have a soft and welcoming light. The light output from the light source is 108 lm and the operating time is 12 H

#### Light source output when dimmed

100%	280 lm
40%	108 lm
10%	28 lm



## REPLACING THE BATTERY



1. Turn the luminaire upside down
2. Open the battery cover with a small screwdriver
3. Replace the battery. **Insert the negative pole inwards.**
4. Close the battery cover. Make sure that the battery cover has clicked completely so that the battery does not fall out when you turn the luminaire over.
5. Check that the light source is lit, without the charging cable connected. If it does not light up, check that the battery is inserted correctly.
6. Charge the battery. Never charge the battery if it is mounted in the wrong direction.

### Spare parts

Replaceable Pholc battery and Pholc light source are available. Replace with an 18650 3.7V 3350 mAh battery. Please find information at [pholc.se](http://pholc.se)

**EN** Installation instruction

**CAUTION: DISCONNECT POWER**

Always shut off power at the circuit breaker or disconnect fuse when installing or repairing this or any other electric appliance. Failure to do so may result in severe injury.

1. Make sure the bulb does not touch the shade
2. If the external flexible cable or cord of this lamp is damaged, it shall be exclusively replaced by the manufacturer, the service agent or a similar qualified person in order to avoid a hazard.

**SV** Installationsanvisning

**VARNING: BRYT STRÖMMEN**

Se till att lampan är spänningslös innan installationen påbörjas. Underlåtenhet att göra detta kan leda till allvarlig personskada.

1. Säkerställ att ljuskällan inte rör skärmen
2. Om sladden eller någon kabel till lampan är skadad får utbyte av delar endast utföras av person med rätt kvalifikationer för att undvika att man utsätter sig för fara.

**DE** Installationsanweisung

**VORSICHT: TRENNEN SIE DIE STROMVERSORGUNG**

Schalten sie die stromversorgung aus stellen sie sicher, dass die lampe stromlos ist, bevor sie mit der installation beginnen. Andernfalls kann es zu schweren verletzungen kommen.

1. Stellen sie sicher, dass die glühbirne den schirm nicht berührt
2. Wenn das externe flexible kabel dieser leuchte beschädigt wird, wenden sie sich ausschließlich an den hersteller, seinen kundendienst oder eine ähnlich qualifizierte person, um eine gefährdung zu vermeiden.

**FI** Asennusohje

**VAROITUS: KATKAISE VIRTA**

Ennen asennusta varmista ettei valaisimessa ole virtaa. Jos näin ei tehdä seurauksena voi olla vakavia vammoja.

1. Varmista ettei valonlähde ole kosketuksessa varjostimeen
2. Jos jokin valaisimeen kytketyistä johdoista on vahingoittunut, niin vaaran välttämiseksi vahingoittuneiden osien vaihdon saa suorittaa ainoastaan vaadittavan pätevyyden omaava henkilö.

**FR** Instructions d'installation

**MISE EN GARDE: DÉCONNECTER L'ALIMENTATION**

Coupez toujours l'alimentation au disjoncteur ou débranchez le fusible lors de l'installation ou de la réparation de cet appareil ou de tout autre appareil électrique. Ne pas le faire peut entraîner de graves blessures.

1. Assurez-vous que l'ampoule ne touche pas l'abat-jour
2. Si le câble de ce luminaire est endommagé, il doit être remplacé exclusivement par le fabricant ou par une personne qualifiée afin d'éviter tout incident.

**ES** Instrucciones de instalación

**PRECAUCIÓN: DESCONECTE LA ENERGÍA**

Siempre corte la energía en el disyuntor o desconecte el fusible al instalar o reparar este o cualquier otro aparato eléctrico. No hacerlo puede resultar en lesiones graves.

1. Asegúrese de que la bombilla no toque la pantalla
2. Si el cable exterior flexible o el cordón de esta luminaria está dañado, debe ser sustituido exclusivamente por el fabricante o en su defecto por su servicio técnico o por un profesional cualificado similar para evitar posibles riesgos.