

TÖJBOX

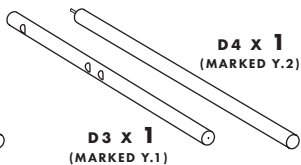
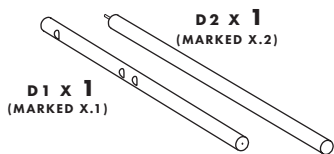
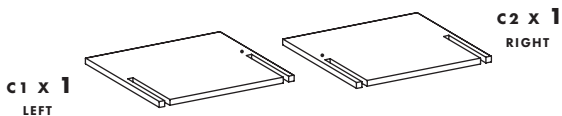
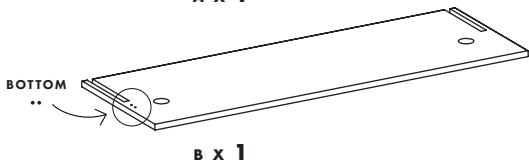
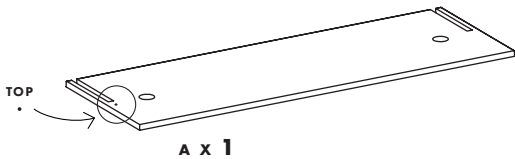
ASSEMBLY INSTRUCTION

WOUD

MY INSPIRATION FOR TÖJBOX CAME DURING
A HECTIC TIME WHERE I MOVED A LOT. I
WANTED TO CREATE A PIECE OF FURNITURE
THAT WAS COMPATIBLE WITH MY NOMADIC
LIFESTYLE BUT STILL HAD A CHARACTERISTIC
DESIGN. IT IS A FUNCTIONAL WARDROBE,
THAT IS EASY TO ASSEMBLE AND PUT TO USE.
YOU JUST HAVE TO LEAN IT AGAINST THE
WALL WHERE YOU WANT IT. I HOPE THAT
YOU WILL ENJOY TÖJBOX AND THAT IT WILL
FOLLOW YOU ON YOUR PATH THROUGH LIFE.

Michael Dan Ahl

MADE BY MICHAEL



F X 4

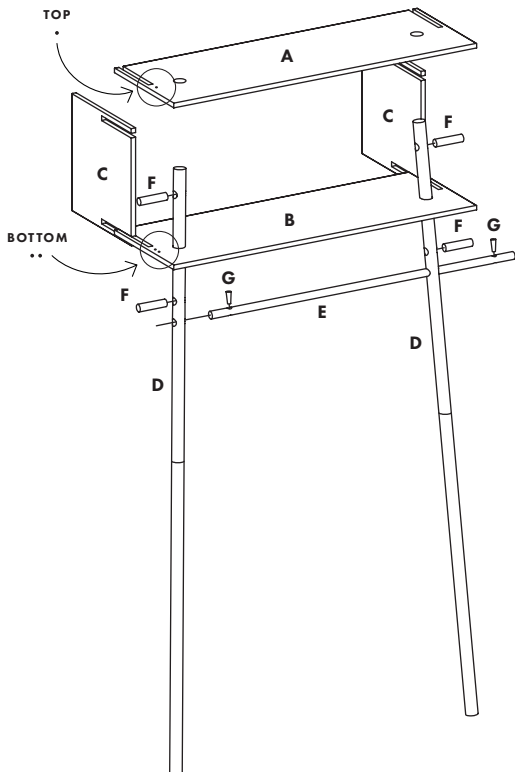


G X 2



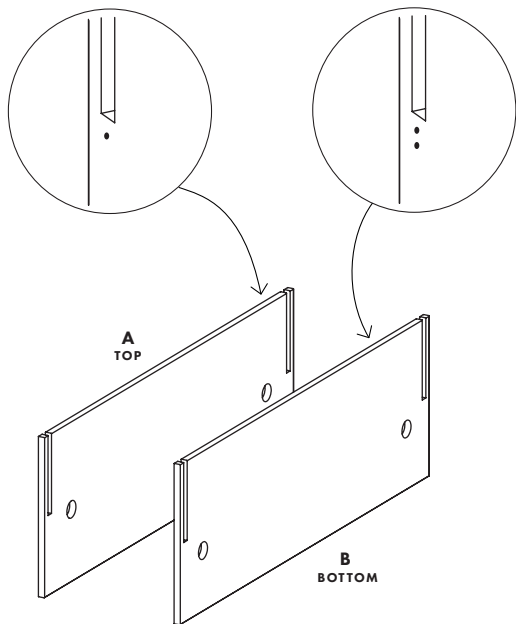
H X 2

WE RECOMMEND THAT YOU ASSEMBLE THE WARDROBE ON A SOFT SURFACE AND WHEN THE UNIT SHALL BE LIFTED OR MOVED, IT SHOULD BE CARRIED OUT BY TWO PERSONS.



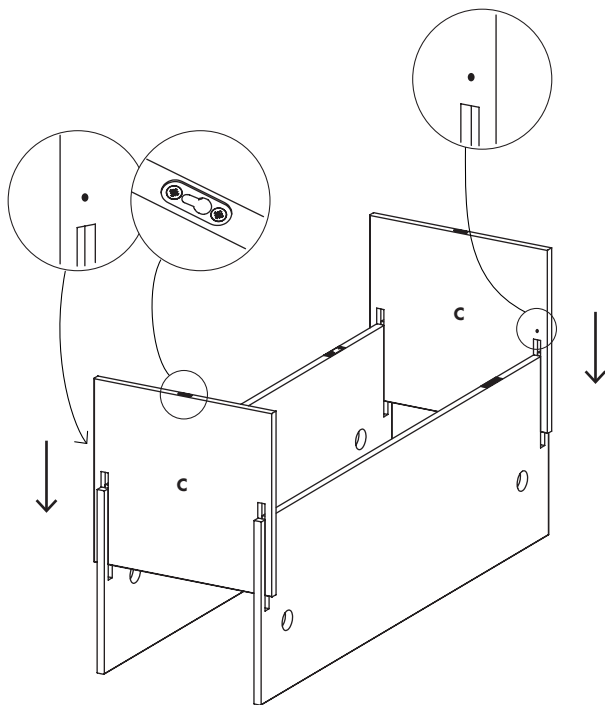
STEP 1

ASSEMBLE THE BOX STARTING WITH THE BOTTOM AND TOP PLATE.
NOTICE THE INDICATIONS MARKS SHALL POINT UPWARDS.



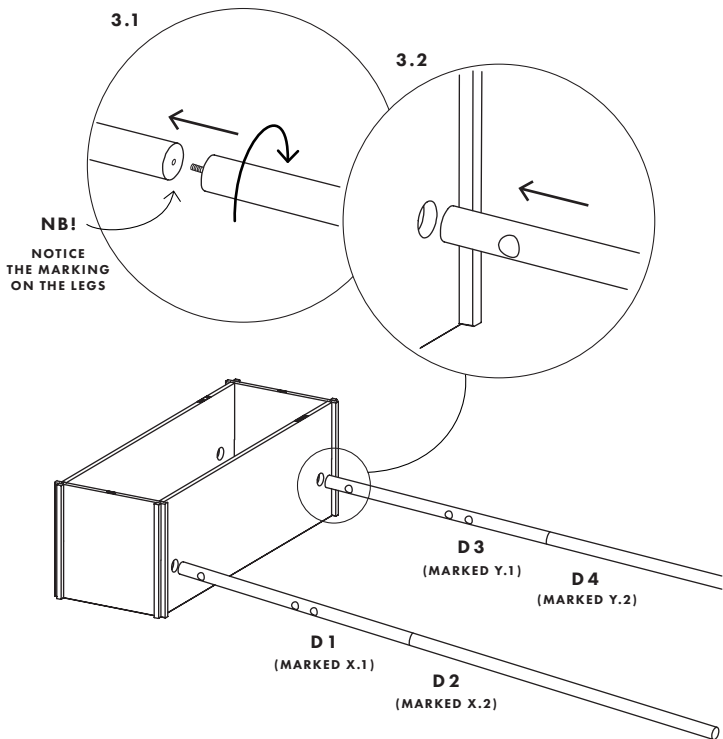
STEP 2

FIT THE SIDE PLATES ONTO THE TOP AND BOTTOM PLATES
NOTICE THE DOT MARKS THAT INDICATES LEFT AND RIGHT SIDE PLATE



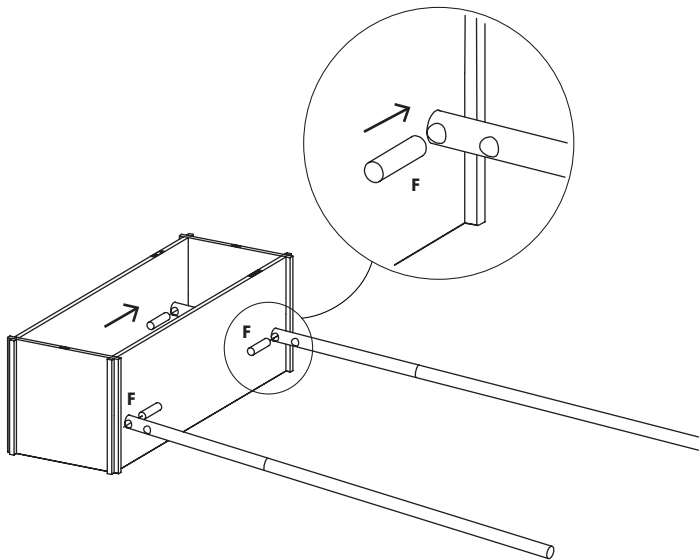
STEP 3

MOUNT THE LEGS TOGETHER - NOTICE THE MARKING ON THE LEGS
FIT THE TWO LEGS THROUGH THE BOTTOM AND TOP PLATE

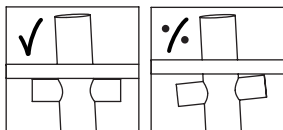


STEP 4

INSERT THE LARGE DOWELS IN THE LEGS UNDER THE TOP AND BOTTOM PLATE. PLEASE NOTE THAT THE DOWELS SHOULD BE HORIZONTAL. IF THIS IS NOT THE CASE, THEN TURN THE LEG 180 DEGREES.



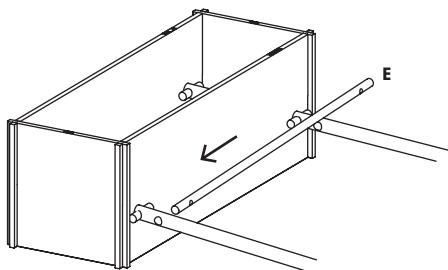
NOTICE!



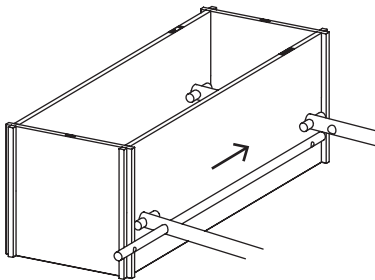
STEP 5

INSERT THE HANGER RAIL BETWEEN THE TWO LEGS

5.1

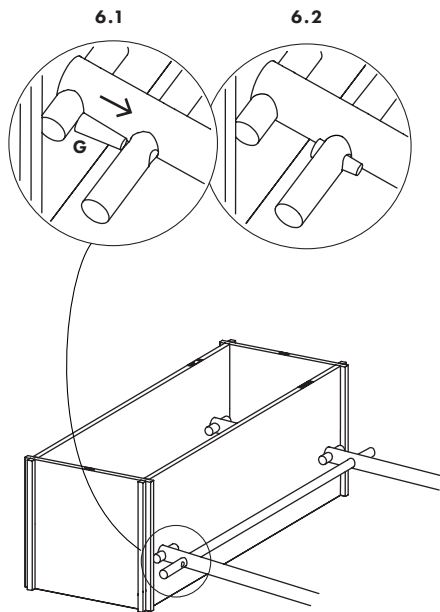


5.2



STEP 6

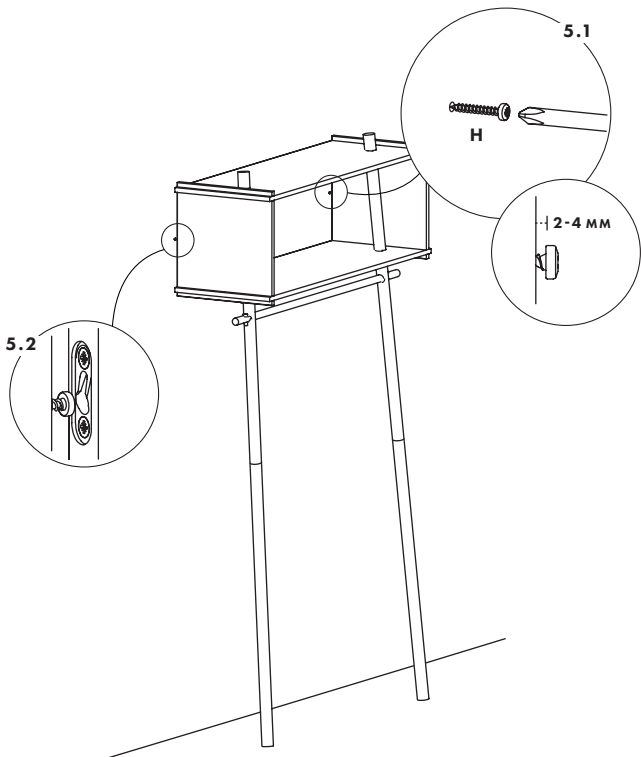
MOUNT THE TWO SMALL DOWELS IN
THE RAIL ON EITHER SIDE OF THE LEGS



STEP 7

LIFT THE WARDROBE (WE RECOMMEND THIS IS CARRIED OUT BY TWO PERSONS) AND LEAN IT UP AGAINST THE WALL. FOR SECURITY REASONS, YOU SHOULD MOUNT IT TO THE WALL USING THE SCREWS AND THE KEYHOLE BRACKETS ON THE BACK OF THE WARDROBE BOX.

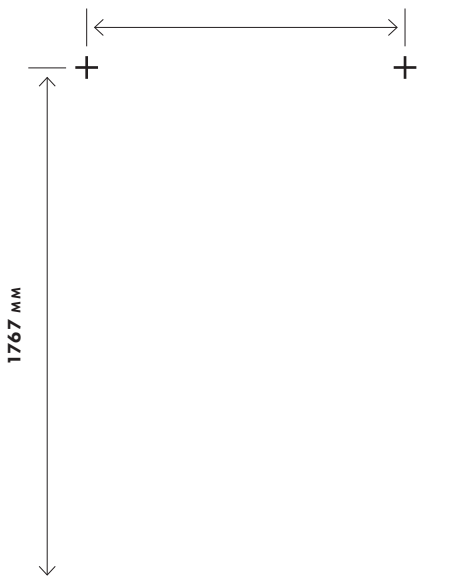
SEE MEASUREMENTS ON THE FOLLOWING PAGE.



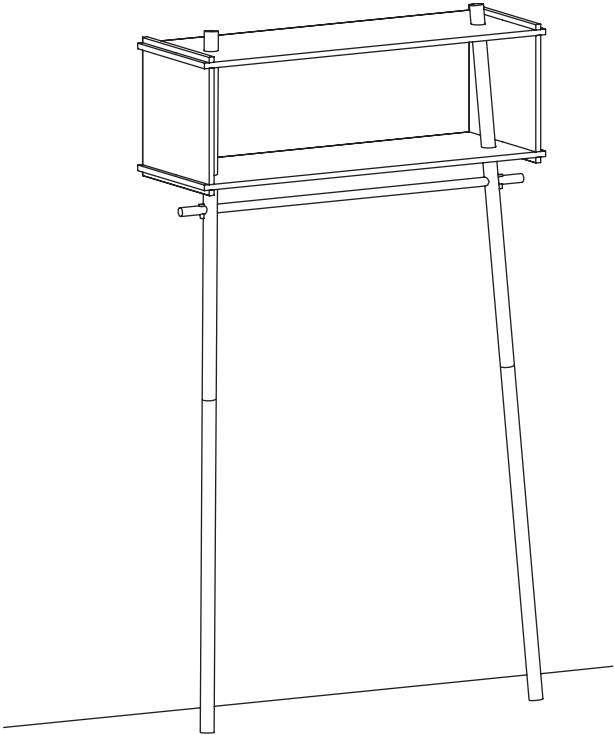
MEASUREMENTS FOR MOUNTING THE TWO SCREWS.
PLEASE NOTICE DIFFERENCE IN WIDTHS FOR THE LARGE
AND SMALL TÖJBOX WARDROBE.

LARGE
1072 MM

SMALL
751 MM



ENJOY.



DESIGNED BY
MADE BY MICHAEL