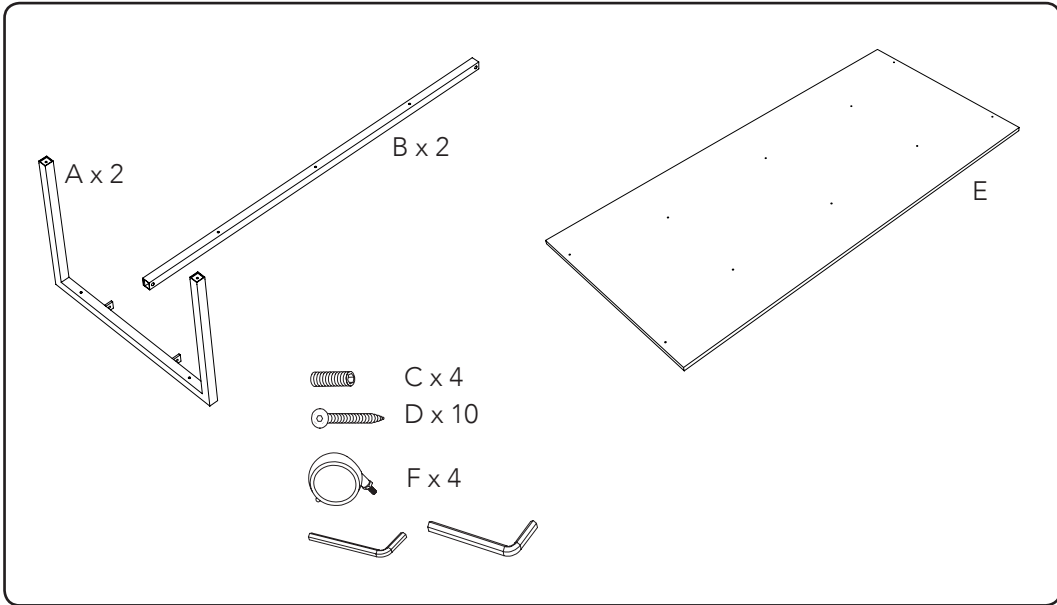


Panton Move Table.

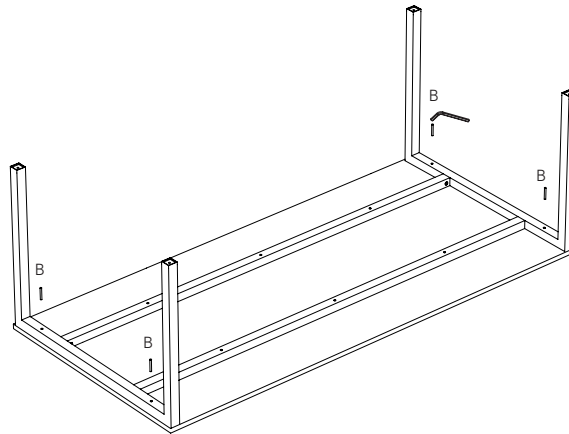
Verner Panton (1972)

1



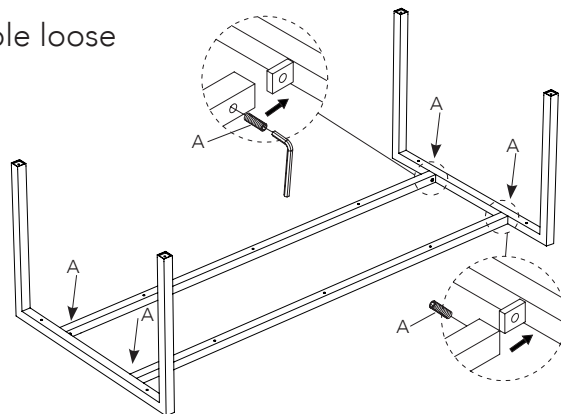
2

NB! Assemble loose at first



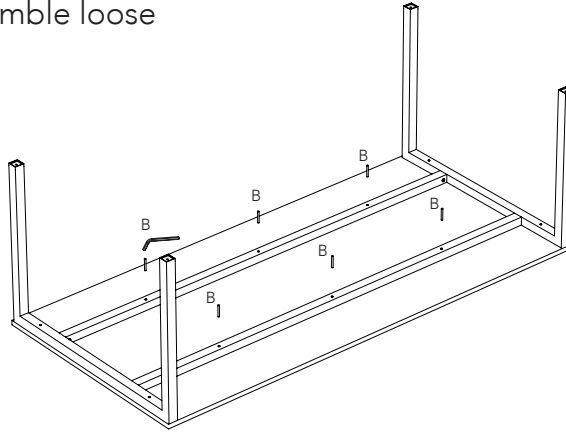
3

NB! Assemble loose at first



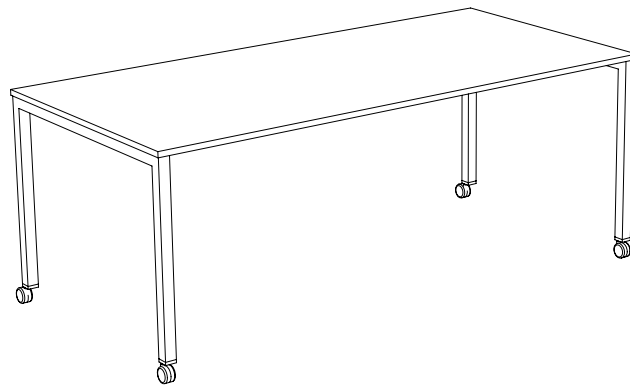
4

NB! Assemble loose
at first



5

**NB! Tighten all screws
and flip over**



MAINTENANCE

Wipe surfaces with a damp cloth. Grease stains can be removed with soapy water. You only non-abrasive household cleaners and cloths to avoid scratching the surface.

NOTICE!

The Panton Move table is for indoor use only!

DESIGNED
IN THE PAST
**MADE FOR
TOMORROW**

VERPAN ApS
Egeskovvej 29
8700 Horsens
Denmark

www.verpan.com

info@verpan.dk