

# Fun 2DA & 2DM

*Design by* VERNER PANTON

*Please read thoroughly before assembly*



## **IMPORTANT!**

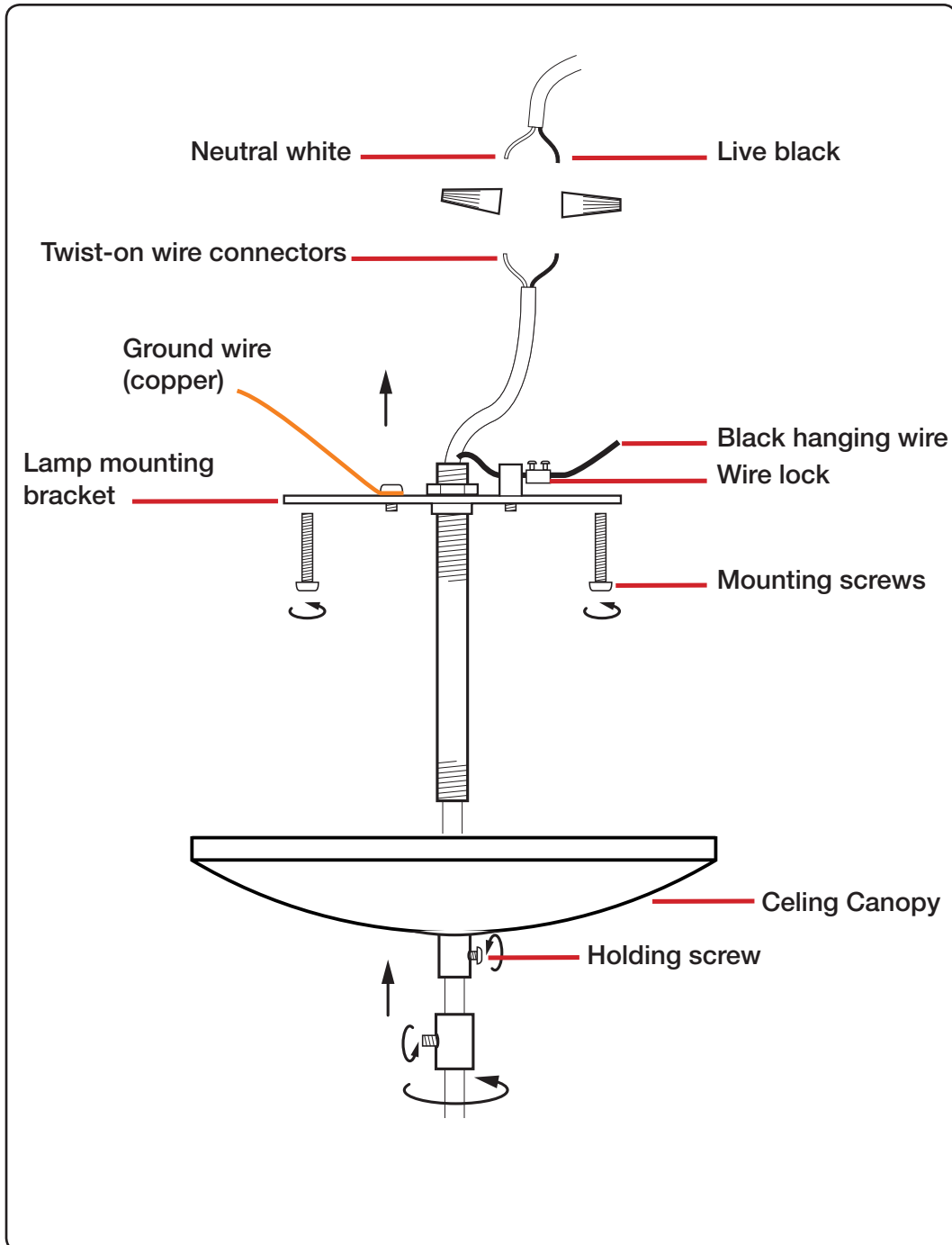
ALWAYS TURN OFF THE ELECTRICAL CURRENT BEFORE  
INSTALLING ANY FIXTURE!

BE SURE THAT THE CEILING OUTLET BOX IS MOUNTED SO  
THAT IT CAN CARRY THE WEIGHT OF THE ENTIRE LAMP!

THERE MUST BE NO WEIGHT ON THE ELECTRIC WIRES!

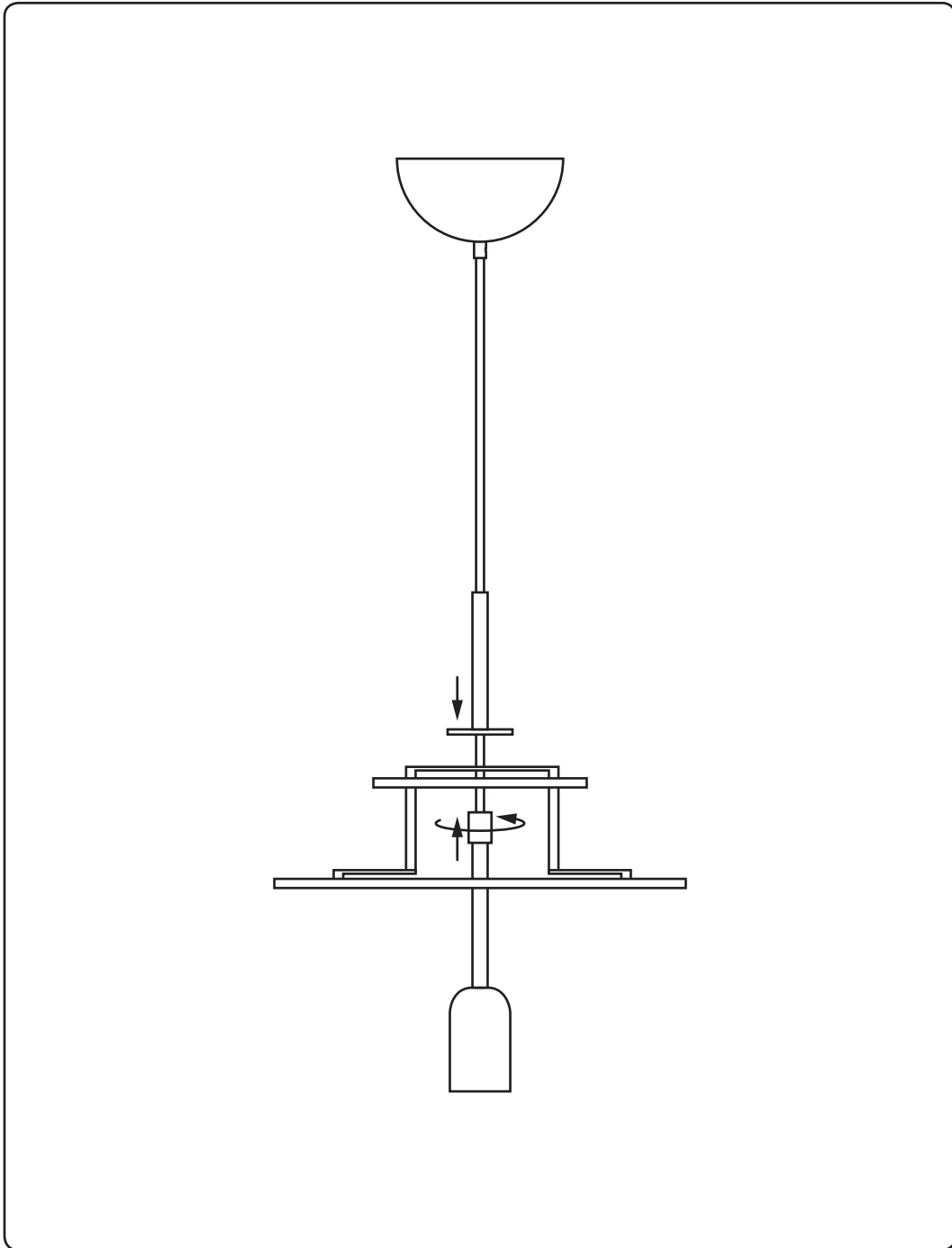
---

IF THE EXTERNAL FLEXIBLE CABLE OR CORD OF THIS  
LUMINAIRE IS DAMAGED, IT SHALL BE EXCLUSIVELY  
REPLACED BY THE MANUFACTURER OR HIS SERVICE AGENT  
OR A SIMILAR QUALIFIED PERSON IN ORDER TO AVOID A  
HAZARD



## HOW TO HANG THE LAMP FROM THE CEILING

1. DETERMINE THE DESIRED HEIGHT OF THE HANGING LAMP. THEN SECURE THE BLACK HANGING WIRE TIGHTLY TO THE WIRE LOCK ON THE MOUNTING BRACKET.
2. FASTEN THE LAMP'S ELECTRIC WIRES TO THE POWER SOURCE WIRES WITH TWIST-ON CONNECTORS. FASTEN THE COPPER GROUND WIRE.
3. SCREW THE LAMP MOUNTING BRACKET ONTO THE CEILING OUTLET BOX WITH MOUNTING SCREWS
4. SLIDE THE CANOPY TO THE CEILING AND TIGHTEN HOLDING SCREWS.

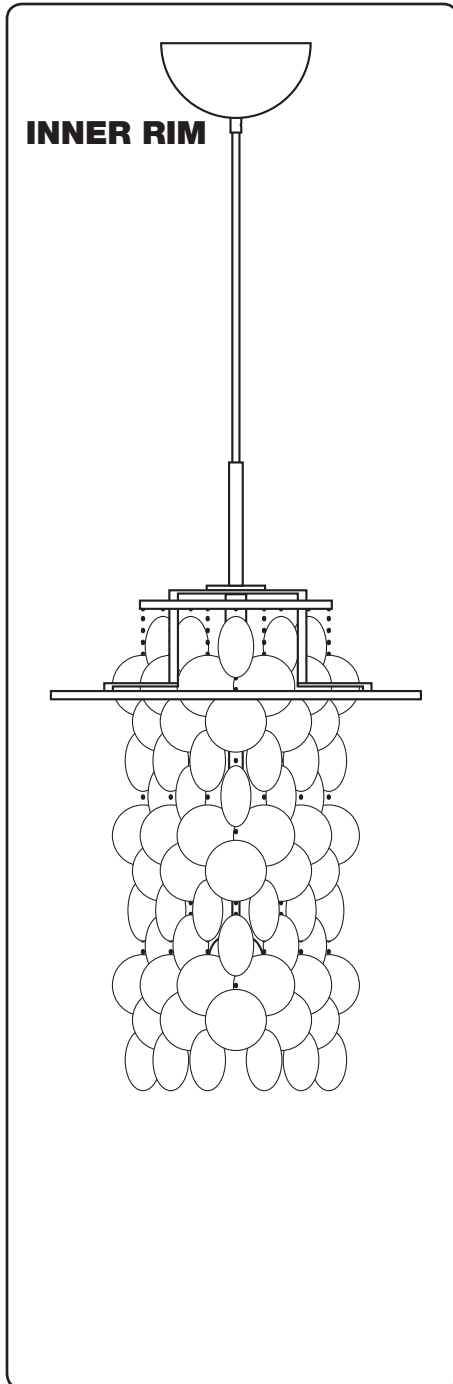


### **MOUNTING THE METAL FRAME**

After you have mounted the ceiling canopy to the ceiling please mount the metal frame together with the cord (incl. socket).

Screw the metal tubes firmly together!

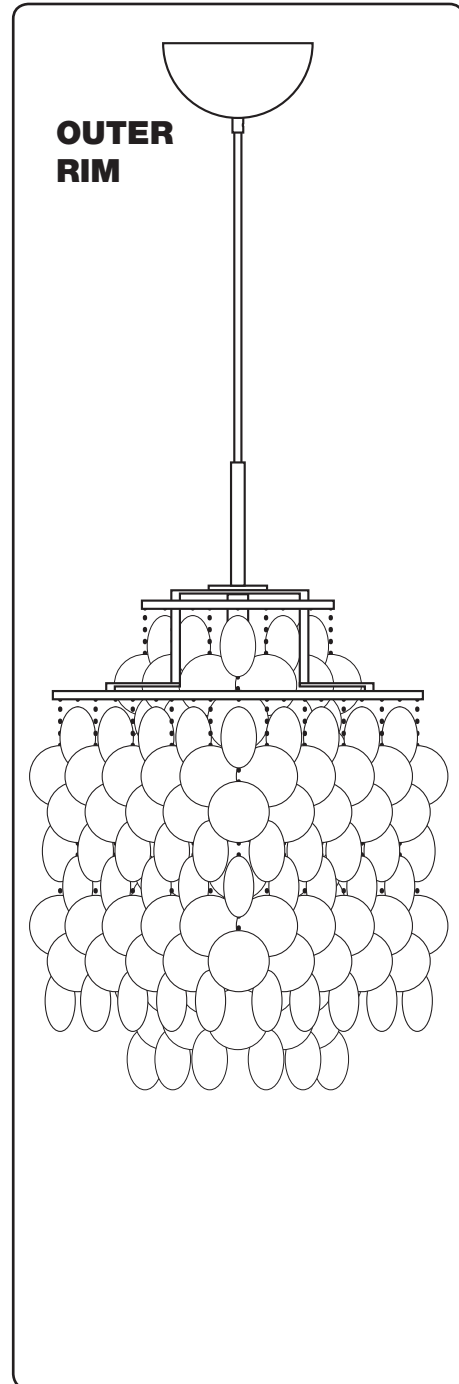
Now you are ready to hang the plates at the metal frame.



### TOP RIM

Mount plates from box with 6 pcs. Box is marked "INNER RIM".

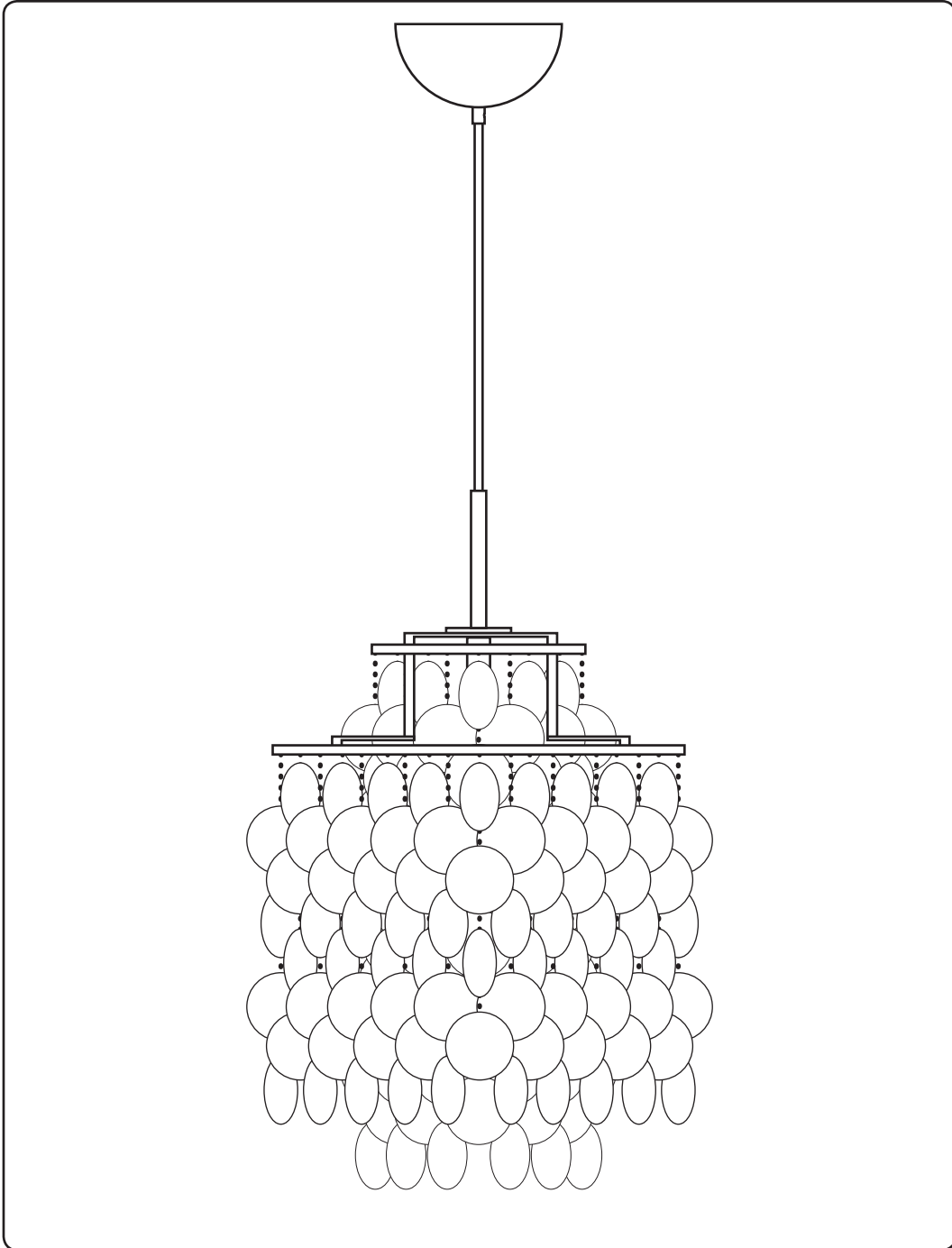
Please note:  
The chains in the box are not the same length, so it is important that you alternate between the two lengths.



### BOTTOM RIM

Mount plates from box with 4 pcs. Box is marked "OUTER RIM".

Please note:  
The chains in the box are not the same length, so it is important that you alternate between the two lengths.

**HOW TO CLEAN:**

Clean with a soft cloth, warm water and a mild detergent.  
Do NOT use any abrasive materials.

DESIGNED  
IN THE PAST  
**MADE FOR**  
**TOMORROW**

VERPAN ApS  
*Egeskovvej 29*  
8700 Horsens  
Denmark

[www.verpan.com](http://www.verpan.com)

[info@verpan.com](mailto:info@verpan.com)