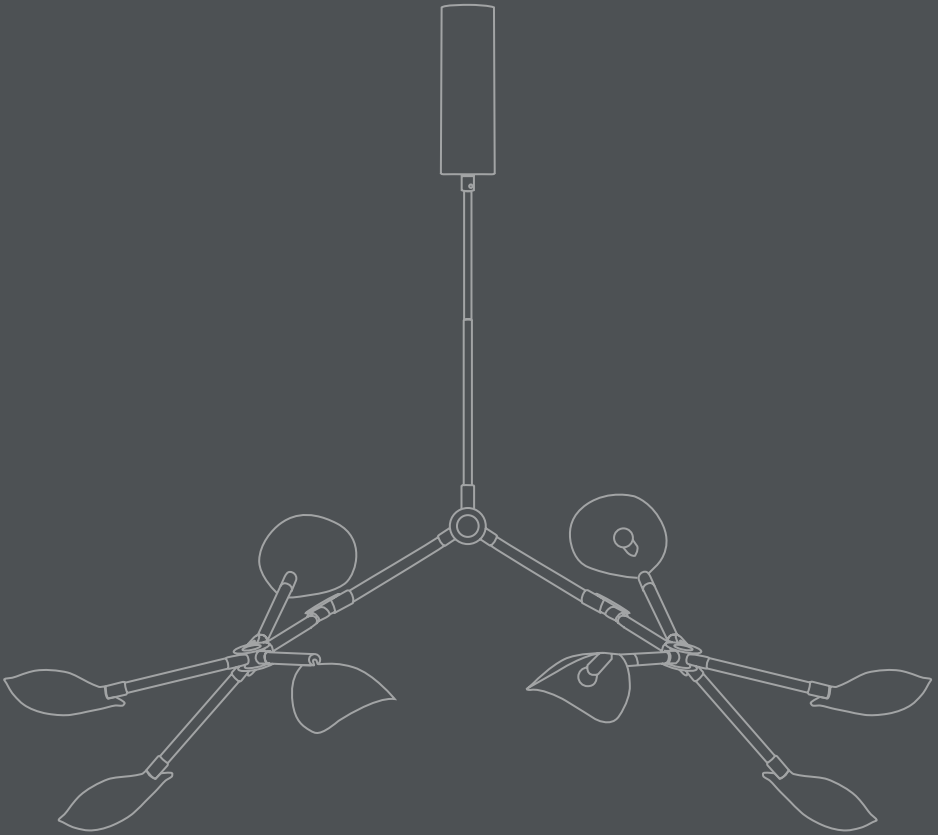


101

C O P E N H A G E N

STINGRAY CHANDELIER GRANDE // ASSEMBLY INSTRUCTIONS





ABOUT 101 COPENHAGEN

101 Copenhagen is a Danish design brand founded in 2017. With a vision to honor exquisite quality and craftsmanship, the collection encompasses furniture, lighting and accessories in a timeless, yet modern design. With a true passion for materials and refined textures, organic shapes and colours, 101 Copenhagen presents the epitome of classics and must-have novelties for Scandinavian and international interior connoisseurs alike.

OUR CREATIVE DRIVE

The design of 101 Copenhagen is firmly rooted in the Scandinavian soil and nourished by Japanese minimalist aesthetics. Sharing an emphasis on quality materials, techniques and traditions, the meeting between the North and the East is notable in the holistic collections of 101 Copenhagen. The design approach is dynamic and characterised by freedom of expression - creating unique and timeless pieces without compromising on playfulness and individuality.

OUR DESIGN TEAM

An attention to detail and a shared sense of aesthetics is what drives the two main designers of 101 Copenhagen, Tommy Hyldahl and Kristian Sofus Hansen. Merging their backgrounds and experiences from the fashion industry, the Royal Danish Academy of Fine Arts and travels in Japan respectively, a narrative of minimalist, sculptural and conceptual design is evident throughout the collections. Translating and transforming the simplistic inspiration from Japan in a Scandinavian context is all about honouring quality, heritage and materiality while never seizing to compromise on form and function. Trained as an architect, the third designer, Nicolaj Noddesbo, adds knowledge on innovative light solutions and timeless novelties to the 101 Copenhagen collections. 101 Copenhagen is a curated selection of tactile, bold objects standing out in a crowd and gathers as a whole.

**CONGRATULATIONS
ON YOUR NEW PRODUCT FROM
101 COPENHAGEN**

STINGRAY CHANDELIER GRANDE

You almost feel the movement of the Drop Chandelier. As a free-flowing sculpture, it takes in the space and insists on a life of its own - just like the floating movement of Stingray fish which is the inspiration behind the design of the lampshades. While The Drop Chandelier collection honors modernist lamp designs of the 1950s, it also celebrates an experimental, innovative approach with its gently curving shades and 14 flexible and functional adjustable arms - creating countless options, variations and angles. The beautifully crafted plated metal body is subsequently hand brushed and the lamp brightens up the room elegantly with a warm, pleasant light. Designed by Kristian Sofus Hansen & Tommy Hyldahl.

Type: Chandelier / Indoor

Colour / Material: Bronze

Lampshade & Ceiling cup: 100% Iron, with plated

Bronze finish. Pipes & attachment parts is made of 100% aluminium color bronze and polished afterwards.

Cable: Fabric covered cable / Black

Dimensions:

L168/ W145 / H125

Mounting plate: H1,5 / W5,5 CM

Ceiling cup: H18 / W6 CM

Fabric covered cable (divided in two inside ceiling cup)

Cable 1: From 15 to 85 CM / Cable 2: 180 CM

Country of origin: CN

Product weight: 7,3 Kgs

Packaging:

Dimensions: L151 / W109 / H24 CM

Total weight incl. product: 12,3 Kgs

Number of parcels: 1

Material: Brown cardboard

Light source: Socket: E14 - B35 4.3W 827 - 230V

Recommended Light Source:

Pygmy - Matt Porcelain - E14

IP rating: 20 Max Watt: 48

Please note this chandelier is not dimmable.

Dimmability: Can be fitted with an aligned dimmer.

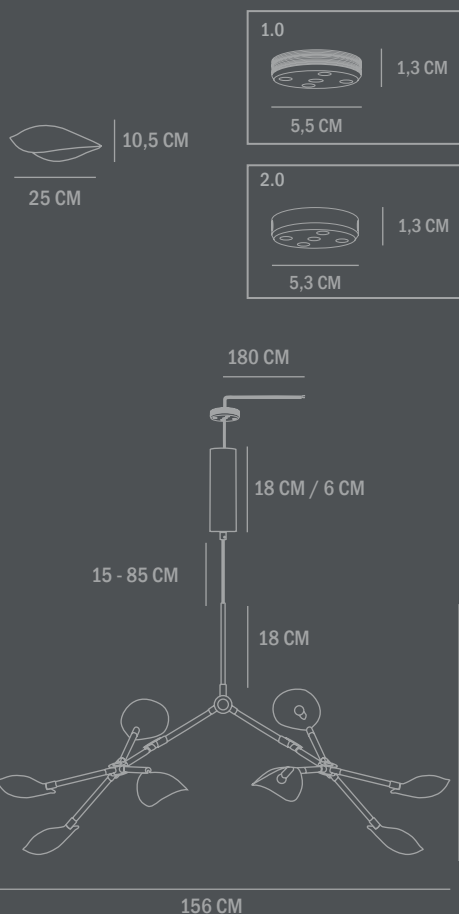
Care instructions:

Use a soft dry cloth to clean the product.

Do not use household cleaners.

Suitable for rooms with a height of 230-320 CM.

Does not comply with US Standards.



IMPORTANT

Always shut off power to the circuit before starting installation work. In some countries electrical installation work may only be carried out by a authorised electrical contractor. Contact your local electricity authority for advice.

ASSEMBLY INSTRUCTIONS:

It is recommended to assemble the product with the help of another person for safety reasons. The instructions for assembly depend on which version of the mounting plate you received, either a 1.0 or 2.0. The instructions for the 1.0 mounting plate can be found on pages 12-14 of the manual, and the instructions for the 2.0 mounting plate can be found on pages 15-17 of the manual.

SAFTY INSTRUCTIONS:

Please note the information contained in these instructions and save this manual, also when lamp is already mounted.

GENERAL INSTRUCTIONS:

- Electrical connections may only be carried out by qualified staff.
- The manufactures do not accept responsibility for injuries or defects caused by improper use of this lamp.
- Attention! Before starting the installation, disconnect the power by turning off the circuit breaker, or by removing the fuse at the fuse box.
- Mind to use this lamp for its predetermined function. For example don't mount indoor lamps in outdoor areas.
- Please check all components are complete before installing.
- Don't cover the lamp.
- Don't connect the lamp to power and don't switch it on when it's in packing.
- Bulbs and transformers get very hot during operating. At improper use there is the risk of fire and by changing the bulb you can hurt yourself. Always let cool down!
- If the external flexible cable or cord is damaged, it shall be exclusively replaced by the manufacturer or his service agent or a similar qualified person in order to avoid a hazard.
- Please ensure that the specified bulb type and power of bulb is used. The maximal wattage shouldn't be exceeded (find the bulb symbol and the "max ... W" on rating label or on lamp).
- Do not mount the lamp on wet or conducting background.
- Make sure that the cables or cords don't get damaged during installation.
- The given main voltage (230V/50Hz) shall not be exceeded.
- Plug and connection elements must be free of tensile strength and torsion force.
- Don't touch bulbs with bare hands.

MAINTENANCE INSTRUCTIONS:

- Before cleaning, disconnect the power by turning off the circuit breaker, or by removing the fuse at the fuse box.
- Mind to clean the surfaces of lamp only.
- Wetness shouldn't get in terminal box or to any conducting part.
- Before you start to clean let it cool down for 10 minutes!
- Cleaning with a soft dry cloth only.

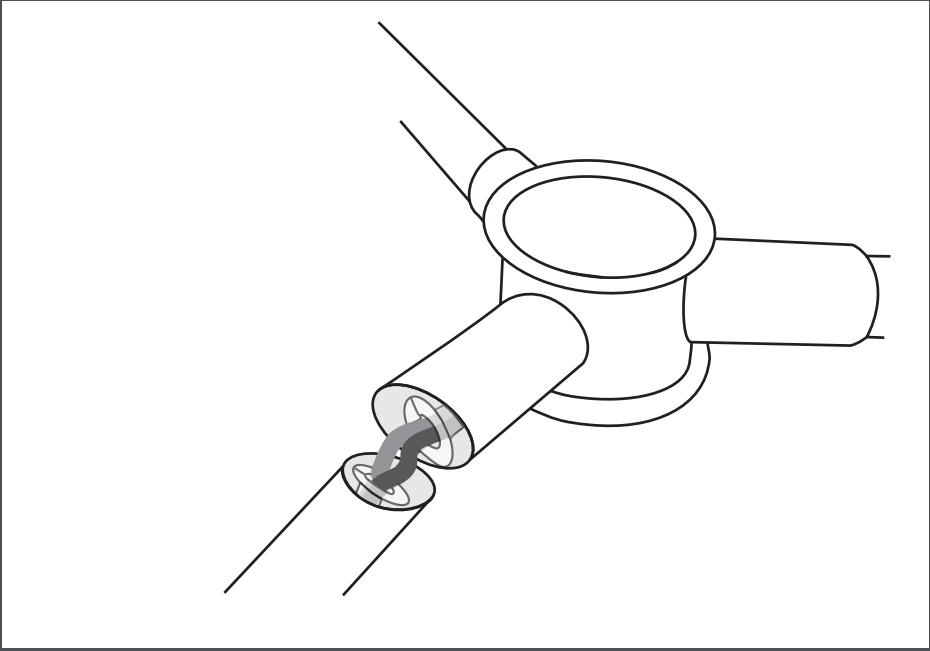
ADVICE FOR ENVIRONMENTAL CARE:

Don't put this article to normal domestic waste after the end of its lifecycle. You have to bring it to a staging area for electrical wastes. The materials are recyclable according to their specifications. With the correct recycling of these materials you can make a significant contribution to environmental protection. Ask your local authority for next staging area.

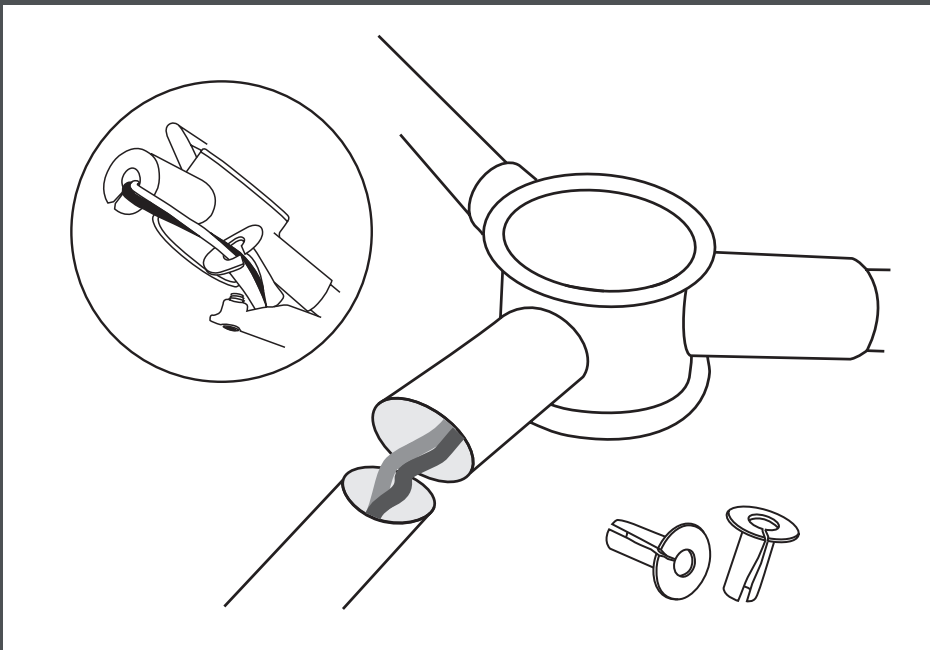
CE MARKING:

By affixing the CE marking to a product, a manufacturer declares that the product meets all the legal requirements for CE marking and can be sold throughout the European Economic Area (EEA).

TO ASSEMBLE THE ARMS:

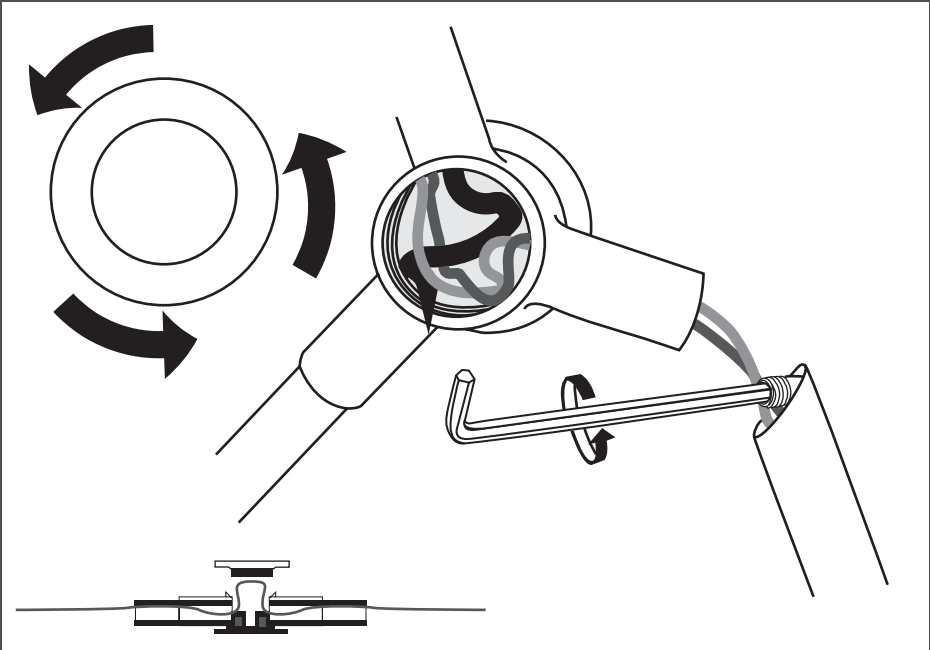


Make sure to remove the split tubing pvc cable protectors before assembling the lamp.

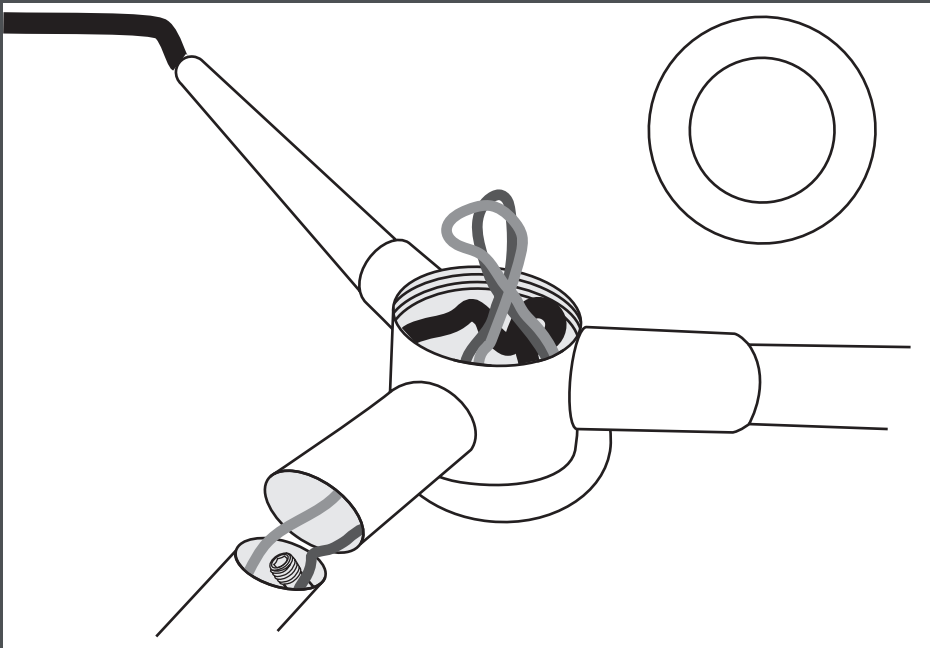


To remove the split tubing pvc cable protectors, carefully pick the cables out of the tubes.

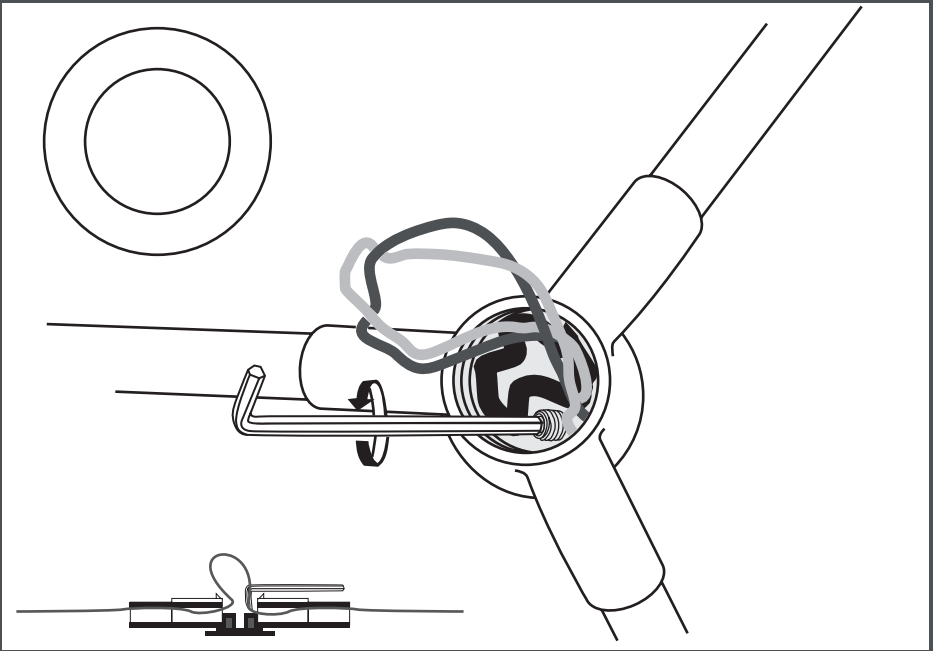
TO ASSEMBLE THE ARMS:



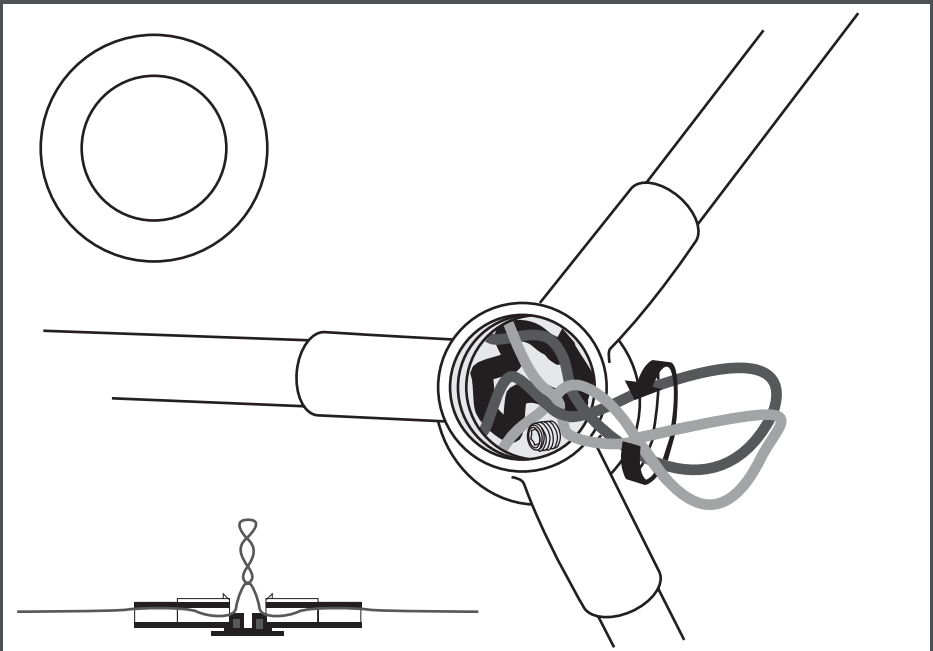
1. Unscrew the lid off
2. Use the supplied key to loosen the screw located inside the tube.



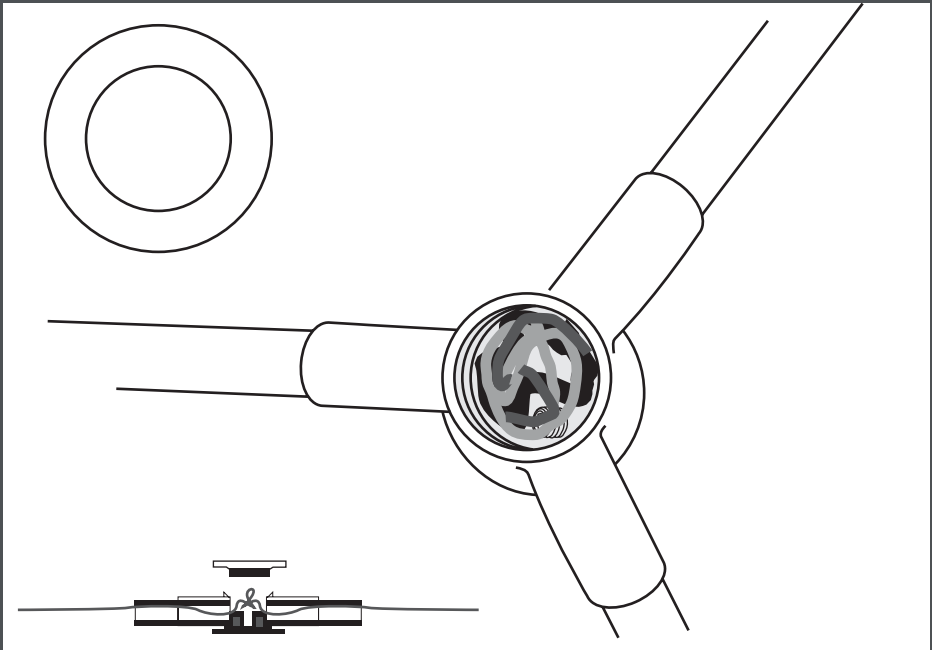
3. Gently pull up the middle wire and push the tube in.



4. Carefully pull the cables into the assembly and lock the small screw with the supplied key. Please make sure it is fixated properly and the tube can not be pulled out.

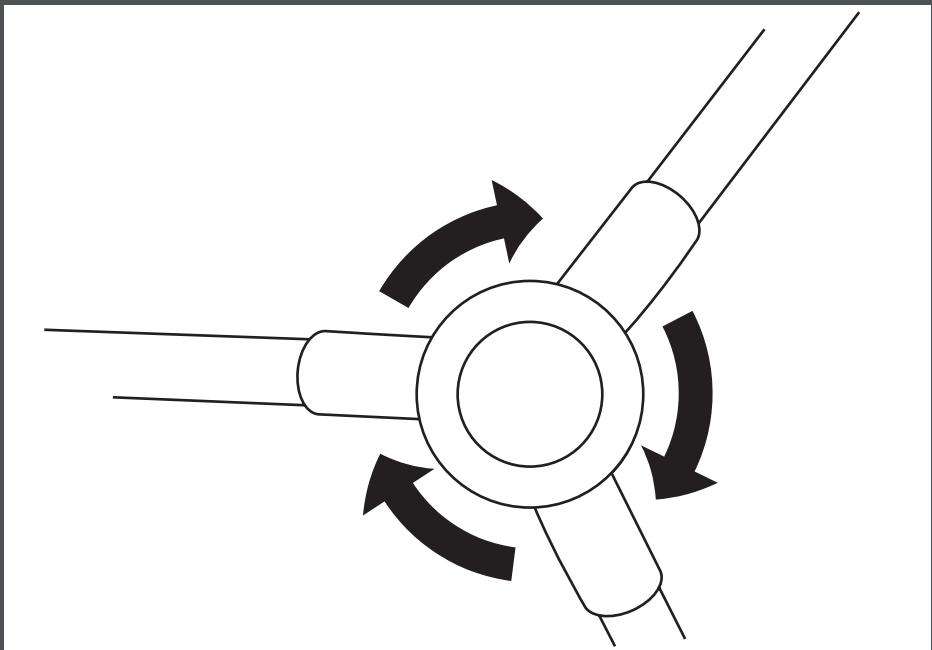


5. Carefully twist the middle cables without pulling the cables.

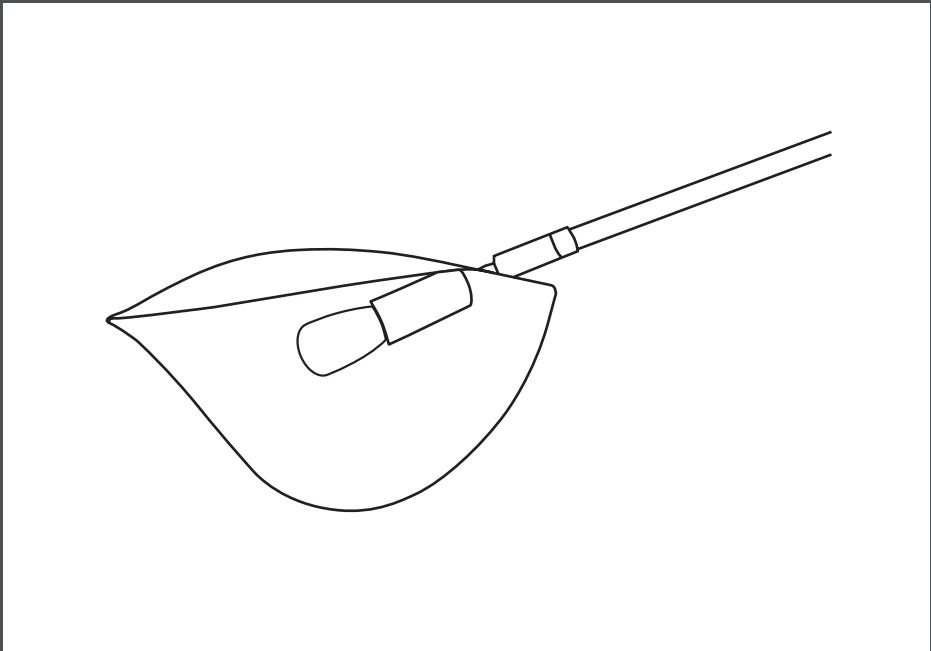


6. Press the cable into the middle

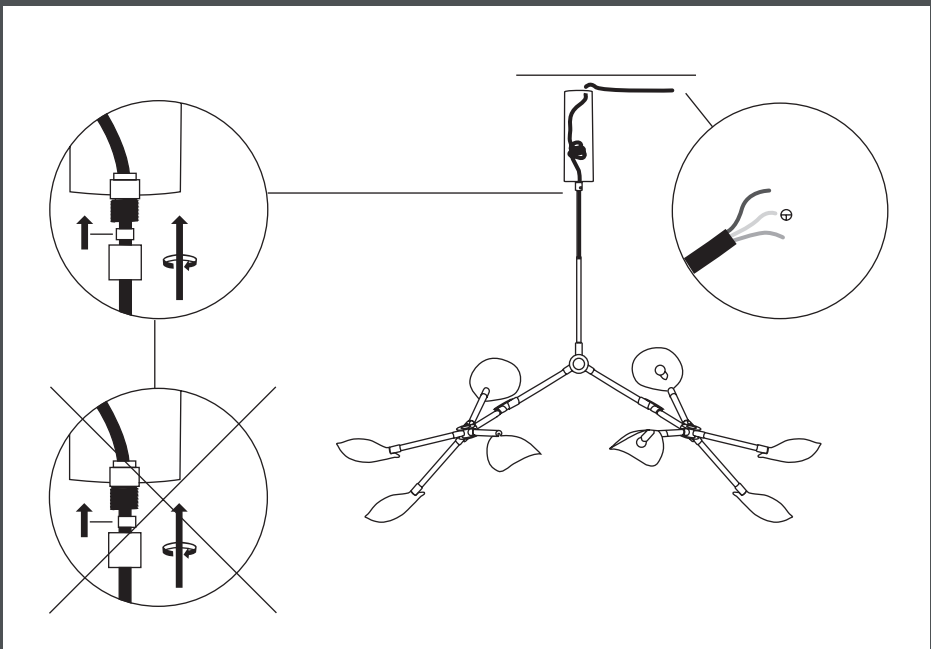
Note: Do not obstruct the edge of the tube, otherwise it is not possible to screw on the lid.



7. Screw the lid back on



8. Insert light bulb.

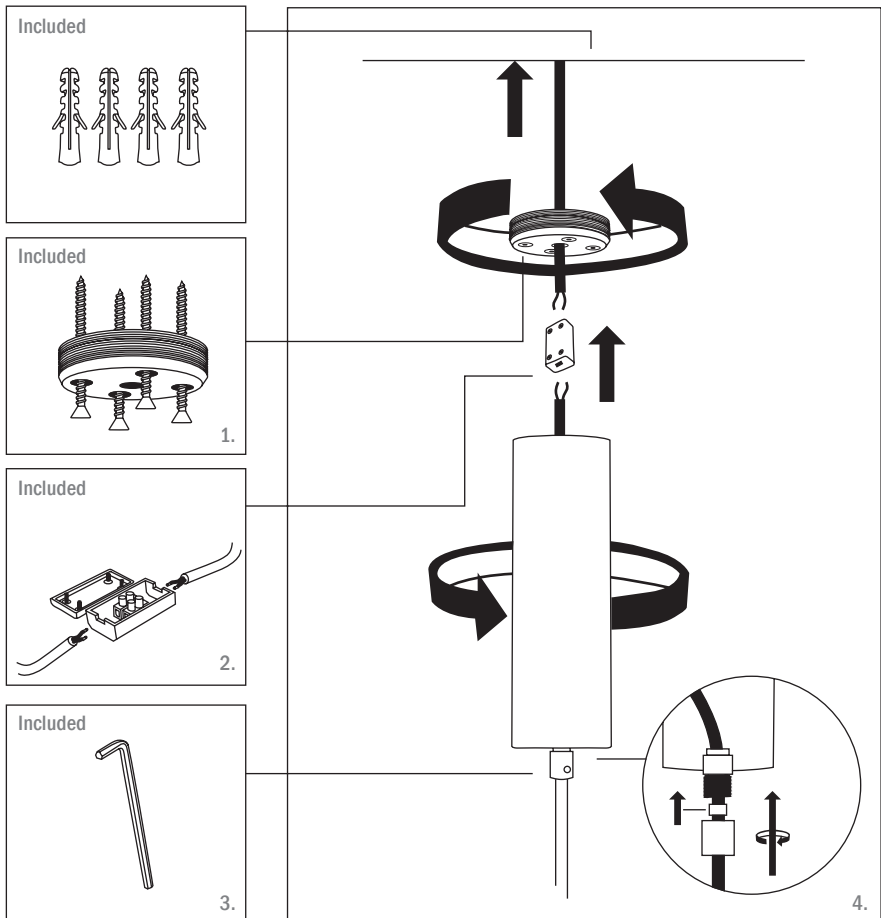


9. The way to adjust the appropriate length of cable: Please note the location of the rubber band at fabric covered cable must be placed correctly otherwise the cable will not be fixated properly.

CHANDELIER ATTACHED DIRECTLY TO THE CEILING - 1.0

Ceiling Height: 220-250 cm

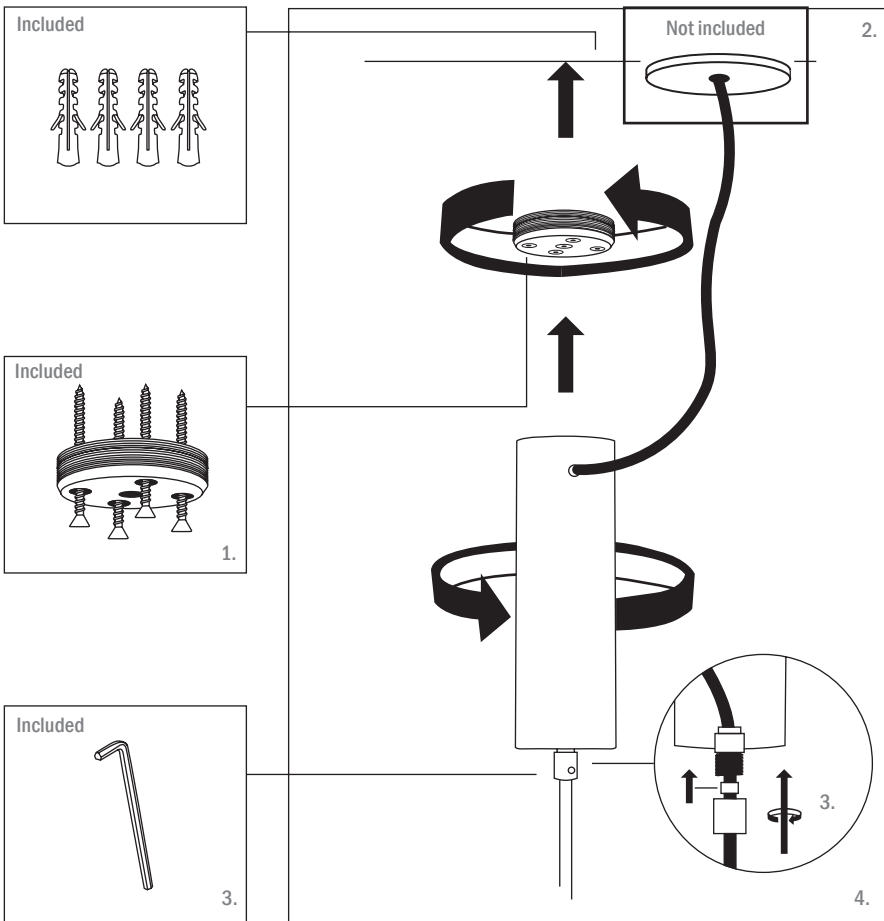
1. Pull the cable from the ceiling through the mounting plate and mount the ceiling cup to the ceiling, with screws and inner mounting plate following in the package. Please make sure it is fixated properly.
2. When the ceiling cup is attached to the ceiling, lead the fabric cable from both sides into the cable connector. Please make sure the cable relief is tightened.
3. Adjust the cable length before you place the cable connector inside the ceiling cup.
How to adjust the cable length: Unmount the screw from the small metal ring underneath the ceiling cup. Gently pull down the cable (never pull the cable, while the screw is fastened in the cable) When the length is adjusted, please fasten the screw again and make sure it is tightened properly. Please note the location of the rubber band at fabric covered cable must be placed correctly otherwise the cable will not be fixated properly.
4. Place the ceiling cup at the mounting plate and turn right until the ceiling cup cover the mounting plate.



CHANDELIER ATTACHED DIRECTLY TO THE CEILING WITH CABLE IN CEILING ROSE - 1.0

Ceiling Height: 220-250 cm

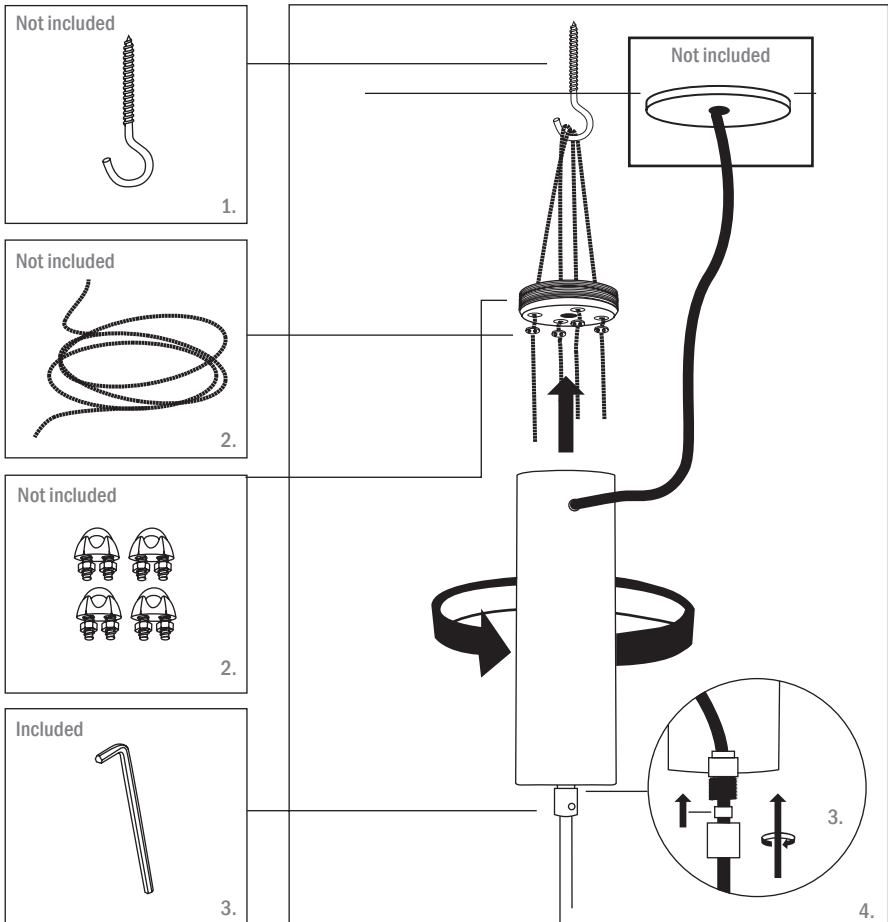
1. Please mount the ceiling cup to the ceiling, with the screws and inner mounting plate following in the package. Please make sure it is fixated properly.
2. When the ceiling cup is attached to the ceiling, lead the fabric covered cable out of the hole in the ceiling cup and attached to the ceiling rose. Please make sure the cable relief is tightened.
3. Adjust the cable length before you place the cable connector inside the ceiling cup. How to adjust the cable length: Unmount the screw from the small metal ring underneath the ceiling cup. Gently pull down the cable (never pull the cable, while the screw is fastened in the cable) when the length is adjusted, please fasten the screw again and make sure it is tightened properly. Please note the location of the rubber band at fabric covered cable must be placed correctly otherwise the cable will not be fixated properly.
4. Place the ceiling cup at the mounting plate and turn right until the ceiling cup cover the mounting plate.



CHANDELIER ATTACHED TO THE CEILING WITH A HOOK SCREW AND METAL WIRES - 1.0

Ceiling Height: 220-250 cm

1. Please mount the ceiling cup to the ceiling with a wire and hook and make sure it is fixed properly.
2. The wires are attached to the inner mounting plate screw holes and connected to the hook in the ceiling, please remember to use wire locks to make sure they are fixed properly. When the lamp is installed in correct height, please lead the cable out of the hole in the ceiling cup and attached it to the ceiling rose.
3. Adjust the cable length before you place the cable connector inside the ceiling cup. How to adjust the cable length: Unmount the screw from the small metal ring underneath the ceiling cup. Gently pull down the cable (never pull the cable, while the screw is fastened in the cable) when the length is adjusted, please fasten the screw again and make sure it is tightened properly. Please note the location of the rubber band at fabric covered cable must be placed correctly otherwise the cable will not be fixed properly.
4. Place the ceiling cup at the mounting plate and turn right until the ceiling cup cover the mounting plate.



CHANDELIER ATTACHED DIRECTLY TO THE CEILING - 2.0

Ceiling Height: 220-250 cm

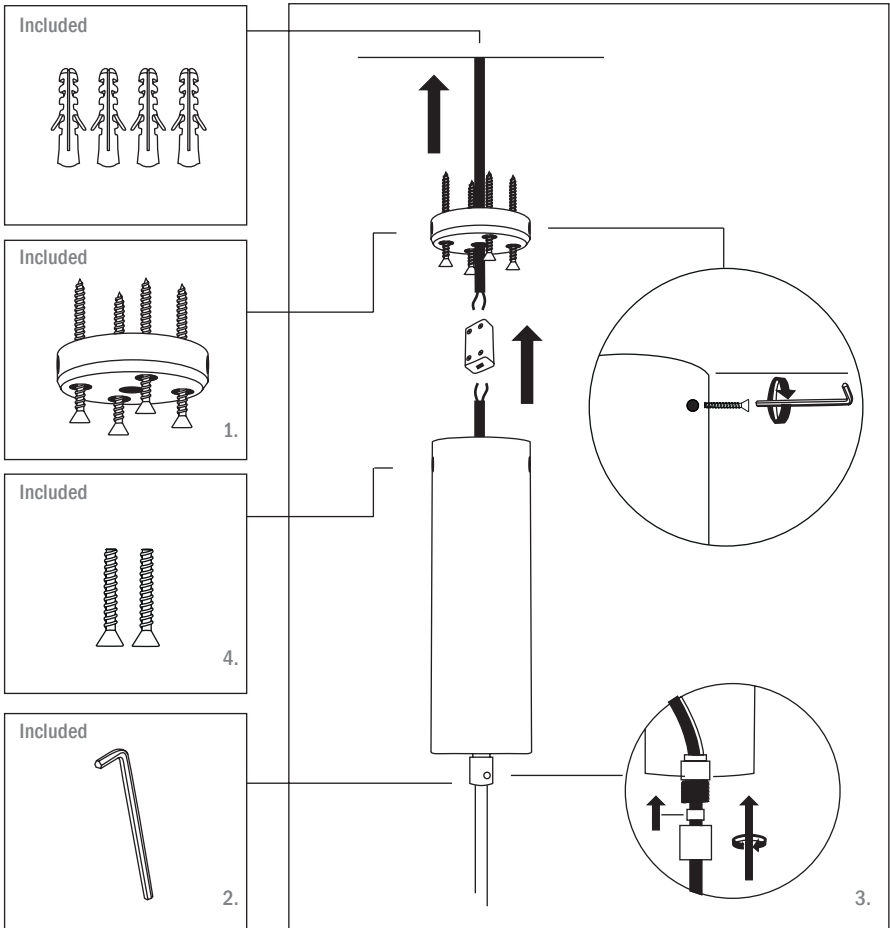
1. Pull the cable from the ceiling through the mounting plate and mount the ceiling cup to the ceiling, with screws and inner mounting plate following in the package. Please make sure it is fixated properly.

2. When the ceiling cup is attached to the ceiling, lead the fabric cable from both sides into the cable connector. Please make sure the cable relief is tightened.

3. Adjust the cable length before you place the cable connector inside the ceiling cup.

How to adjust the cable length: Unmount the screw from the small metal ring underneath the ceiling cup. Gently pull down the cable (never pull the cable, while the screw is fastened in the cable) when the length is adjusted, please fasten the screw again and make sure it is tightened properly. Please note the location of the rubber band at fabric covered cable must be placed correctly otherwise the cable will not be fixated properly.

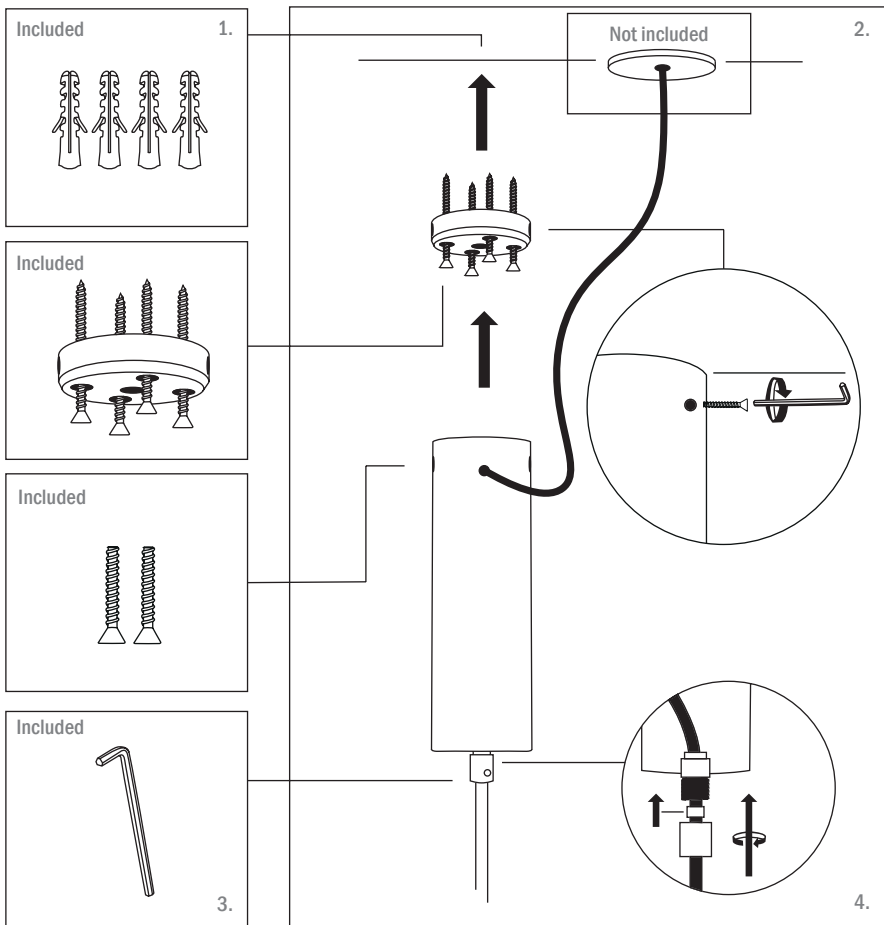
4. Place the ceiling cup against the mounting plate and screw in both screws.



CHANDELIER ATTACHED DIRECTLY TO THE CEILING WITH CABLE IN CEILING ROSE - 2.0

Ceiling Height: 220-250 cm

1. Please mount the ceiling cup to the ceiling, with the screws and inner mounting plate following in the package. Please make sure it is fixated properly.
2. When the mounting plate is attached to the ceiling, lead the fabric covered cable out of the hole in the ceiling cup and attached to the lamp outlet. Please make sure the cable relief is tightened.
3. Adjust the cable length before you place the cable connector inside the ceiling cup. How to adjust the cable length: Unmount the screw from the small metal ring underneath the ceiling cup. Gently pull down the cable (never pull the cable, while the screw is fastened in the cable) when the length is adjusted, please fasten the screw again and make sure it is tightened properly. Please note the location of the rubber band at fabric covered cable must be placed correctly otherwise the cable will not be fixated properly.
4. Place the ceiling cup against the mounting plate and screw in both screws.

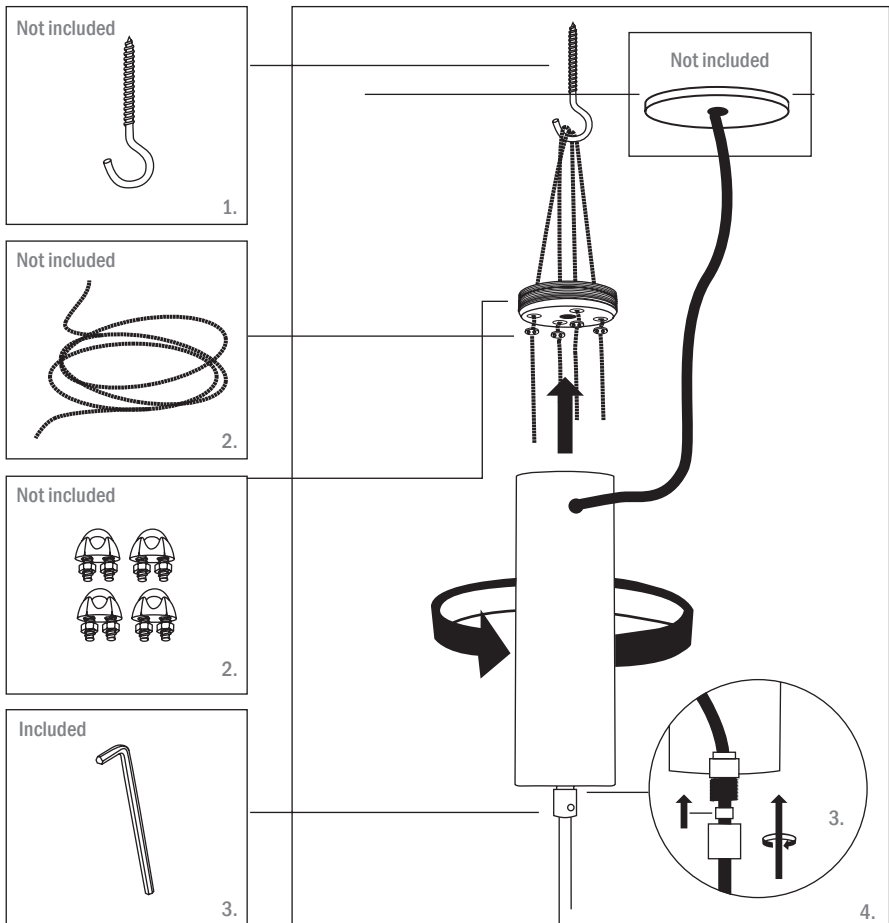


CHANDELIER ATTACHED TO THE CEILING WITH A HOOK SCREW AND METAL WIRES - 2.0

Ceiling Height: 220-250 cm

1. Please mount the ceiling cup to the ceiling with a wire and hook and make sure it is fixated properly.
2. The wires are attached to the inner mounting plate screw holes and connected to the hook in the ceiling, please remember to use wire locks to make sure they are fixated properly. When the lamp is installed in correct height, please lead the cable out of the hole in the ceiling cup and attached it to the ceiling rose.
3. Adjust the cable length before you place the cable connector inside the ceiling cup. How to adjust the cable length: Unmount the screw from the small metal ring underneath the ceiling cup. Gently pull down the cable (never pull the cable, while the screw is fastened in the cable) when the length is adjusted, please fasten the screw again and make sure it is tightened properly. Please note the location of the rubber band at fabric covered cable must be placed correctly otherwise the cable will not be fixated properly.

When installing a chandelier, it is important to ensure that the fabric-covered cord does not twist. To prevent this, the entire chandelier, including the ceiling cup, should be rotated around the mounting plate during installation. This will ensure that the cord is properly aligned and will not become twisted or tangled during use. Place the ceiling cup at the mounting plate and turn right until the ceiling cup cover the mounting plate.





GLOBAL SALES INQUIRIES: SALES@101CPH.COM

SUPPORT INQUIRIES: SUPPORT@101CPH.COM

PRESS INQUIRIES: PRESS@101CPH.COM



PRESS KIT & IMAGEBANK PLEASE GO TO:

WWW.101CPH.COM OR SCAN THE QR CODE AND GAIN ACCESS TO OUR IMAGE BANK, CATALOGUE AND MORE.

SHOWROOM BY APPOINTMENT ONLY // ØSTERGADE 17, 3RD & 4TH FLOOR, 1100 COPENHAGEN, DENMARK.