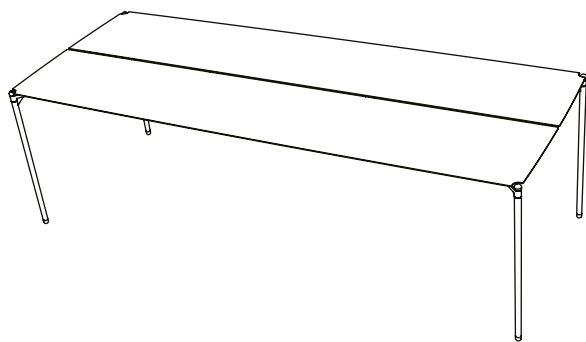


NOVO



AYTM



A x 4 (M8 x 30mm)



B x 4 (M8 x flat washer)



C x 4 (M8 x spring washer)



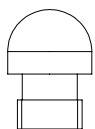
D x 4 (M4 x 4mm)



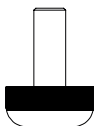
x 1 (allen key for M8)



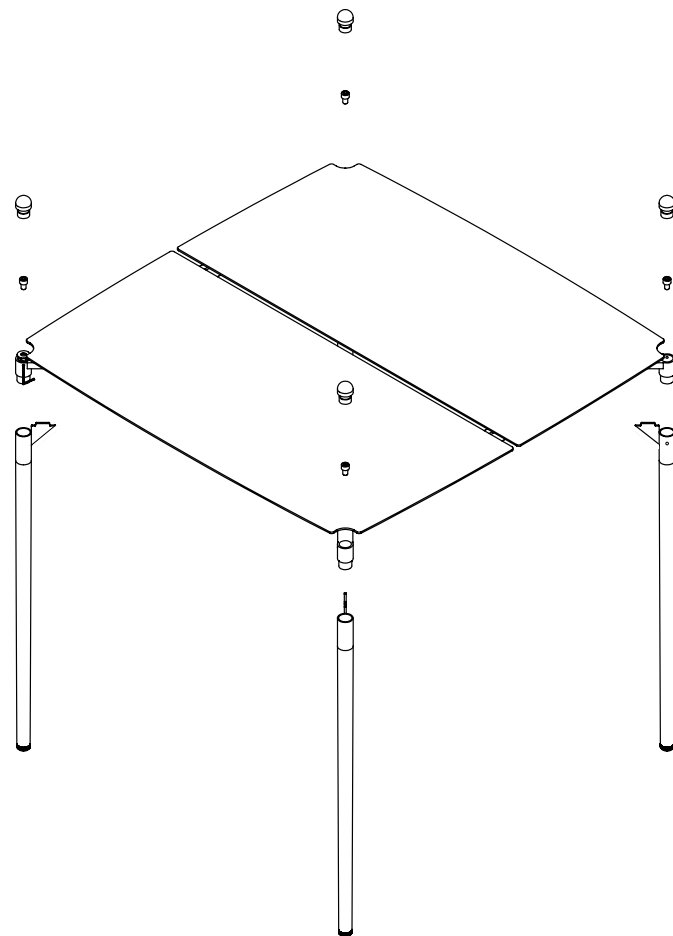
x 1 (allen key for M4)



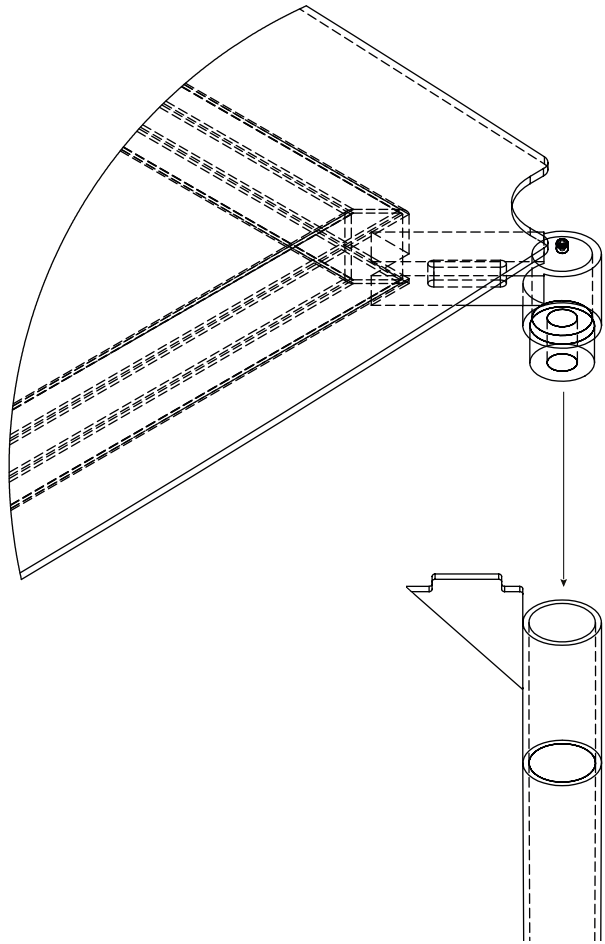
x 4 (decoration part)



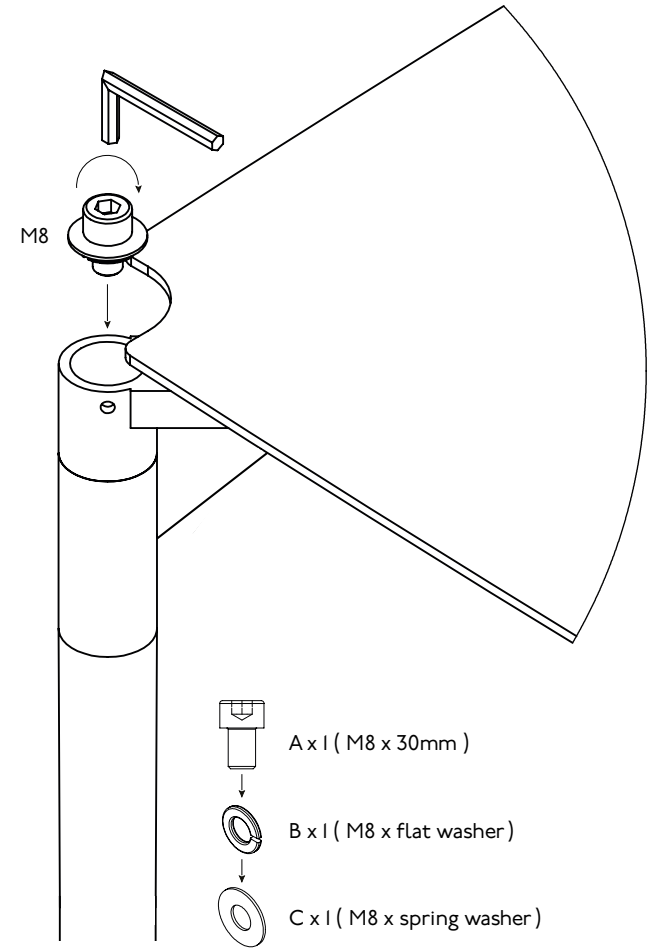
x 4 (adjustable feet)



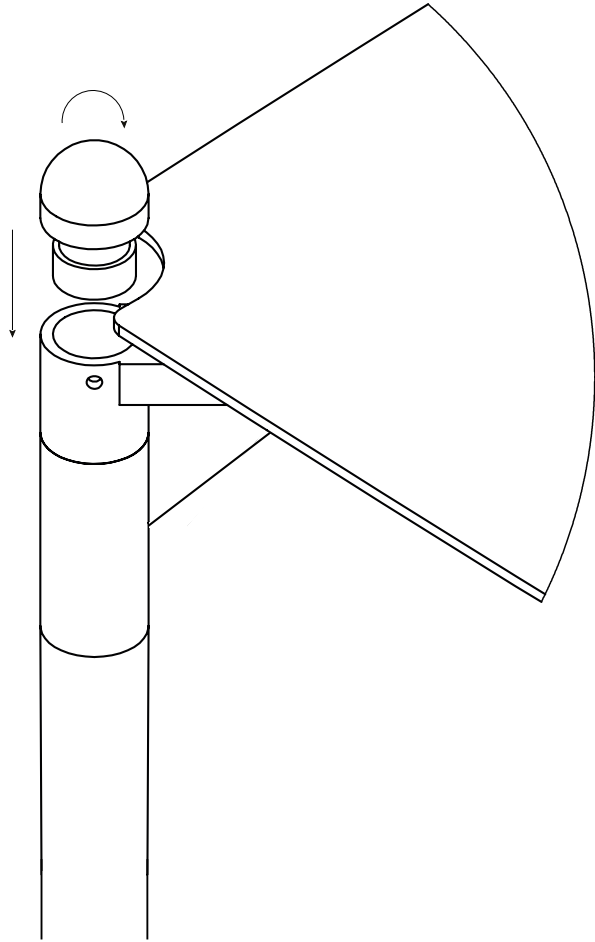
1



2



3



4

