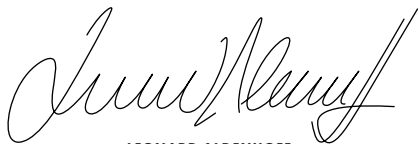


STEDGE

INSTRUCTIONS MANUAL

WOUD

STEDGE IS ALL ABOUT LIGHTNESS, PURISM AND A CLEAR STRUCTURE. THE SUBTLE DESIGN IS AN OPTICAL ILLUSION AS THE SOLID SHELVES SEEM TO HANG BY A THREAD. THE UNBALANCED APPEARANCE OF THE STEDGE SHELF MAKES IT A MINIMALISTIC STAGE FOR YOUR FAVOURITE OBJECTS. THE MINIMUM USAGE OF NEEDED PARTS IS USED TO GENERATE A STABLE AND MODERN SHELF. THE MAIN IDEA BEHIND STEDGE WAS TO CREATE A STORAGE PLACE FOR OBJECTS ON THE WALL TO GAIN MORE FREE SPACE ON THE FLOOR AREA.

A handwritten signature in black ink, appearing to read 'Leonard Aldenhoff', written in a fluid, cursive style.

LEONARD ALDENHOFF

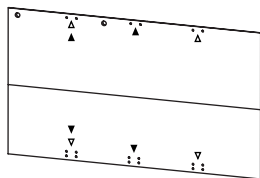
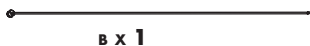
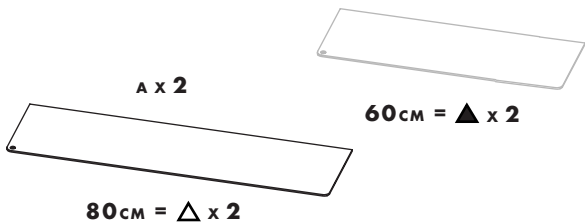
TAKE CARE

**WE HAVE NOW HANDED OVER
ONE OF OUR DARLINGS TO YOU.
NOW IT IS YOURS. TAKE GOOD
CARE OF IT. YOU CAN READ THE
CARE INSTRUCTIONS FOR ALL
OUR MATERIALS AT OUR WEBSITE.**

WLOUD.DK/TAKECARE

ASSEMBLY INSTRUCTION

**PLEASE GO THROUGH THE FOLLOWING
STEPS CAREFULLY. RETAIN THIS MANUAL
FOR FUTURE REFERENCE TO ENSURE THAT
YOUR NEW ITEM IS CORRECTLY ASSEMBLED
IN CASE IT SHOULD BE DISASSEMBLED OR
MOVED. WE ARE NOT RESPONSIBLE FOR
ANY FAULTS OR DAMAGES CAUSED BY
NOT FOLLOWING THESE INSTRUCTIONS
CORRECTLY.**



FX 1

GX 1

HX 1

IX 1

JX 4



KX 4

LX 4

MX 4

NX 4

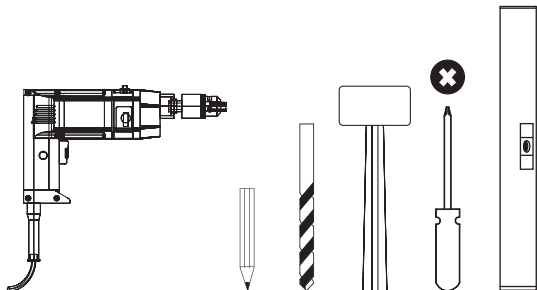
OX 8

PX 8

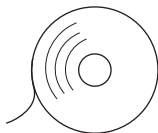
TOOLS NEEDED

IMPORTANT!

USE WALL PLUGS AND DRILLS SUITABLE FOR YOUR WALL. BE CAREFUL WITH THIN/PLASTER/DRY WALLS AND SOLID CONCRETE WALLS. IN CASE OF DOUBT, WE RECOMMEND THAT YOU ASK A PROFESSIONAL.



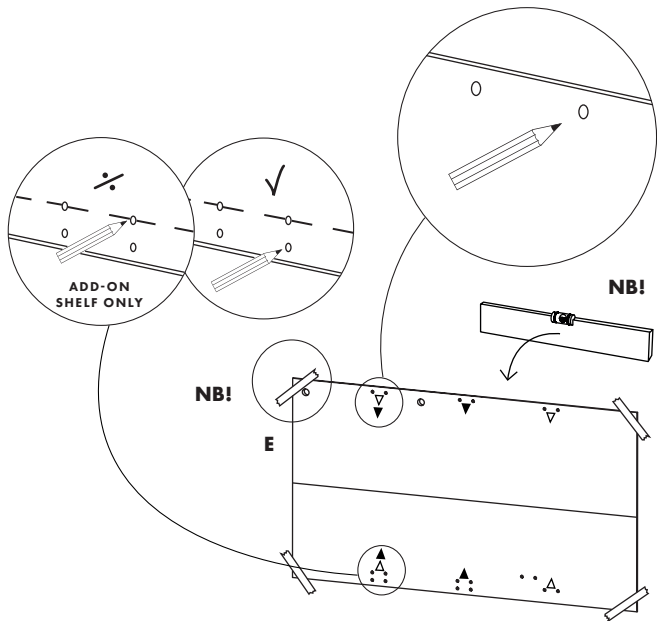
Ø 6 MM
Ø 4 MM



TAPE

STEP 1

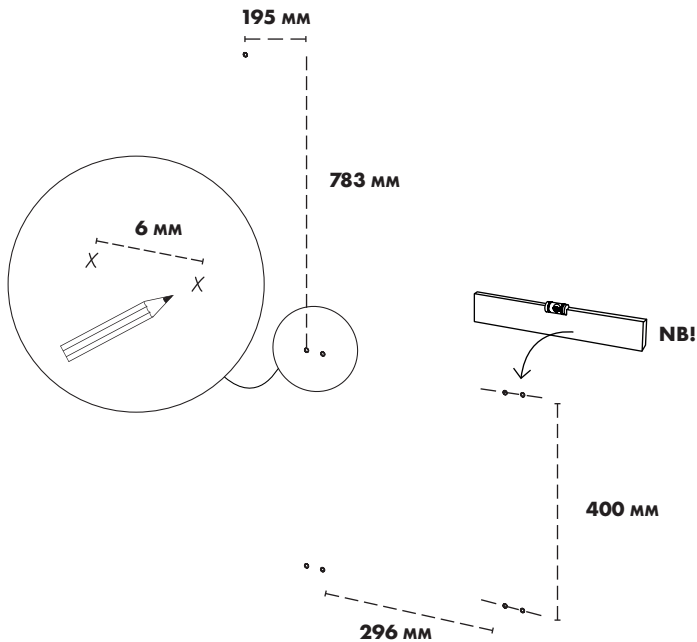
PLACE THE TEMPLATE ON THE WALL WITH TAPE AND ADJUST THE TEMPLATE TILL ITS LEVEL USING A LEVELER.
MARK THE HOLES WITH A PENCIL. MAKE SURE TO CHECK THE LEVEL BEFORE MARKING THE SPOTS.



! ▽ = 80 CM
● ▽ = 60 CM

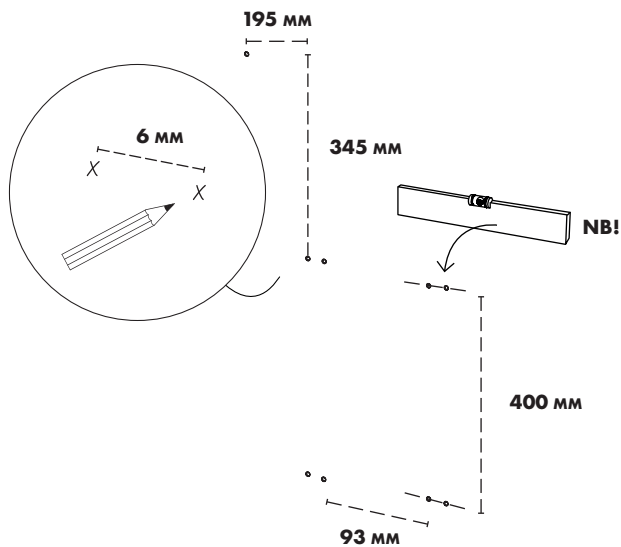
STEP 1.2

80 CM: MARKING DRILL POINTS WITHOUT TEMPLATE USING BELOW MEASUREMENTS.



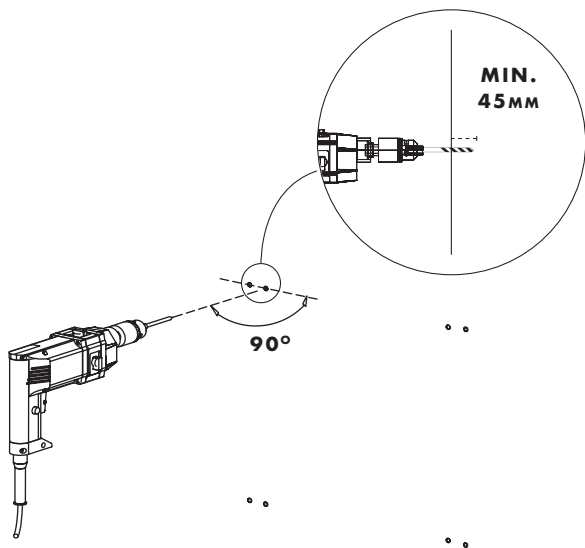
STEP 1.3

60 CM: MARKING DRILL POINTS WITHOUT TEMPLATE USING BELOW MEASUREMENTS.



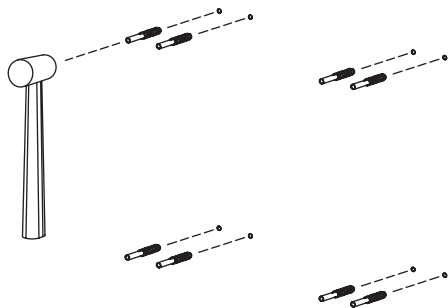
STEP 2

DRILL EIGHT HOLES IN THE WALL AT THE MARKED SPOTS.



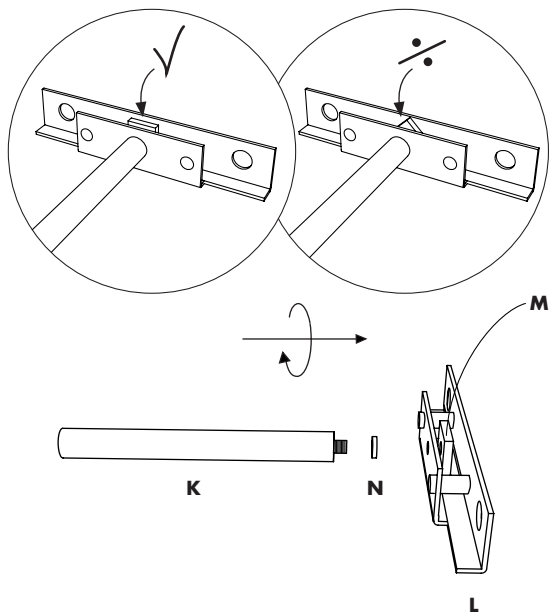
STEP 3

APPLY THE WALL PLUGS.
THE WALL PLUGS INCLUDED ARE UNIVERSAL BUT WE RECOMMEND THAT YOU CHECK IF YOUR WALL SHOULD NEED SPECIFIC PLUGS, SUCH AS FOR THIN/PLASTER/DRY WALLS AND SOLID CONCRETE WALLS.



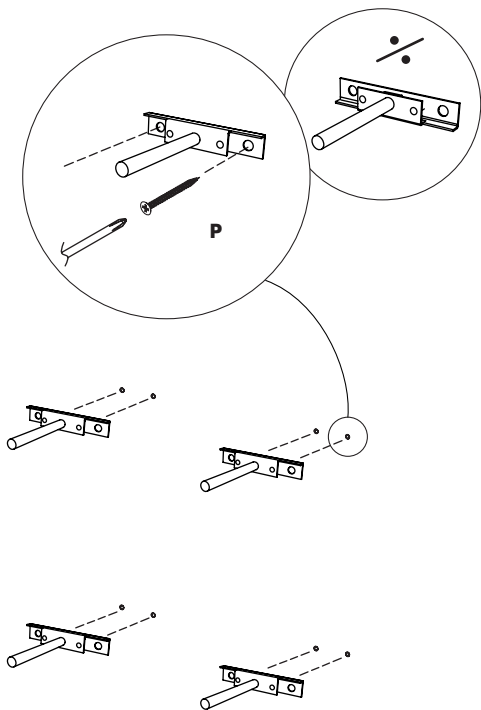
STEP 4

ASSEMBLE THE FOUR FITTINGS.



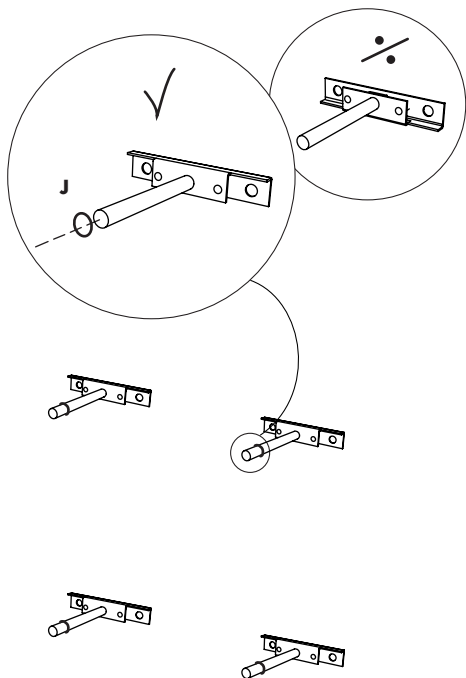
STEP 5

MOUNT THE FITTINGS TO THE WALL.
REMEMBER TO TURN THE FITTINGS CORRECT.



STEP 6

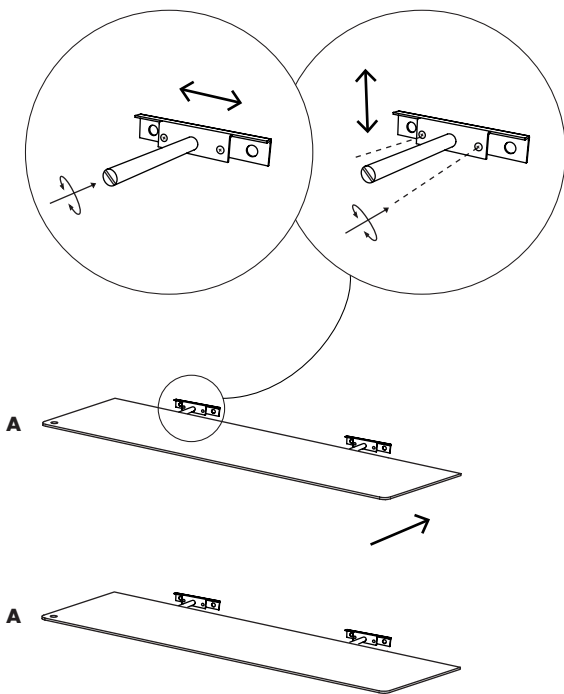
MOUNT THE RUBBER RINGS TO THE WALL FITTINGS.



STEP 7

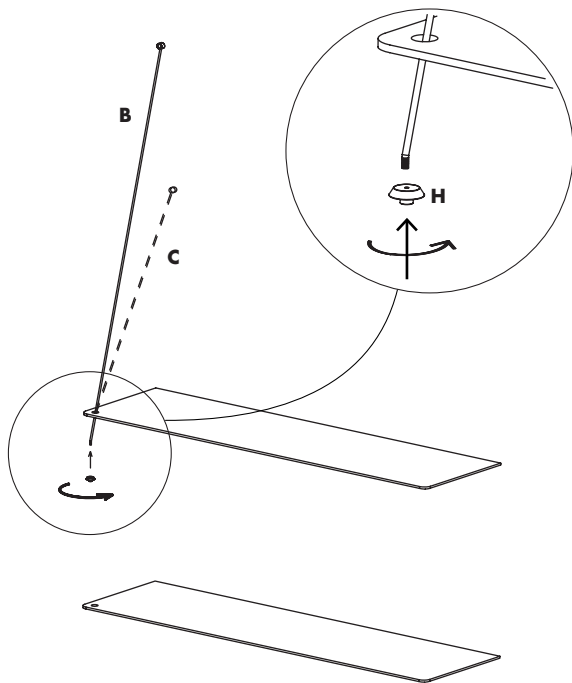
MOUNT THE SHELVES ON THE FITTINGS.

ADJUST THE LEVEL OF THE FITTINGS SIDEWAYS
OR UP/DOWN BY ADJUSTING THE SCREWS.



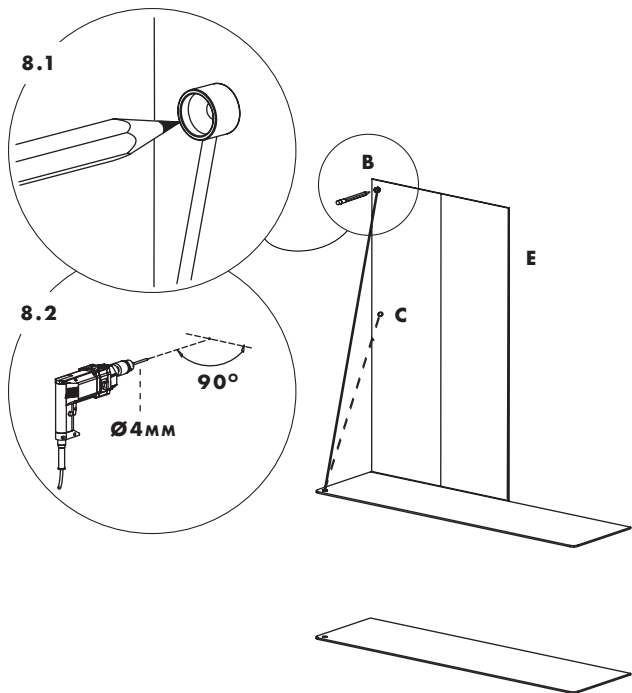
STEP 8

CHOOSE EITHER THE LONG (B) OR SHORT (C) TOP WIRE.
MOUNT THE CONNECTOR CAP ONTO THE TOP WIRE.



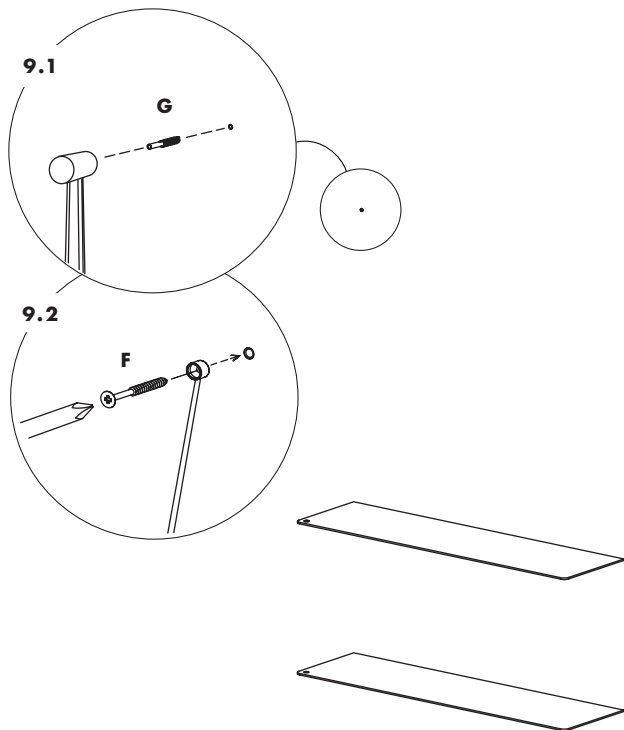
STEP 9

USE THE TEMPLATE TO MARK A SPOT FOR DRILLING
A HOLE TO MOUNT THE TOP WIRE TO THE WALL (8.1).
DRILL A HOLE AT THE MARKED SPOT (8.2).



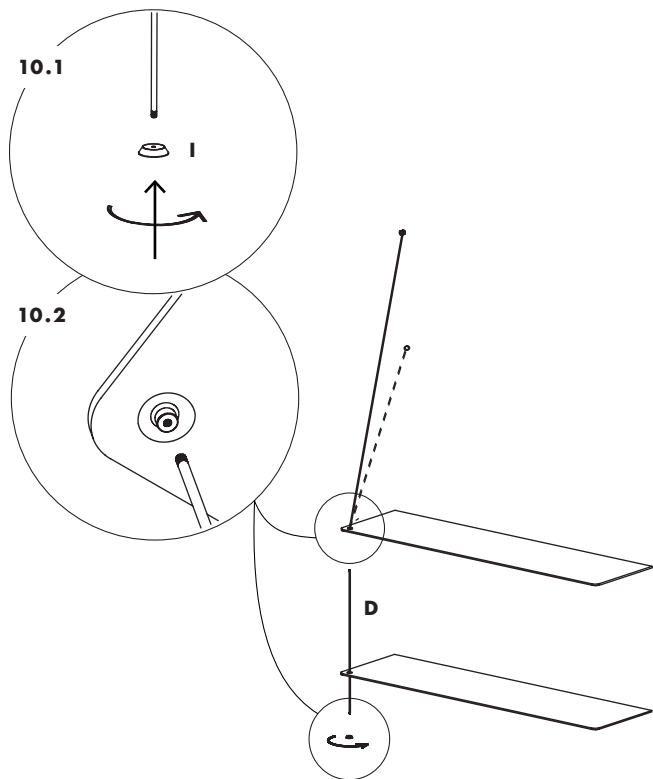
STEP 10

APPLY THE WALL PLUG (9.1) AND MOUNT THE TOP WIRE (9.2).



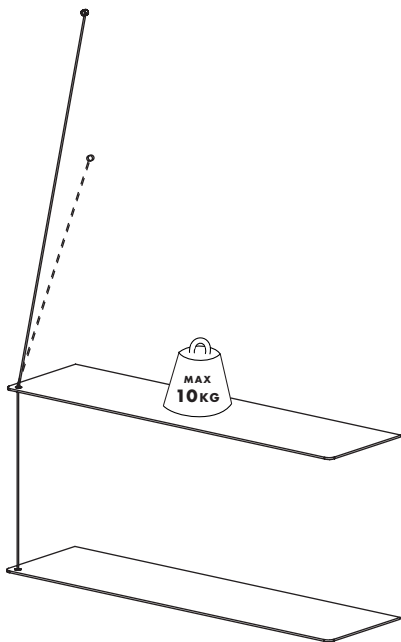
STEP 11

APPLY THE BOTTOM METAL CAP TO THE CONNECTOR WIRE (10.1).
TAKE THE CONNECTOR WIRE THROUGH THE HOLE IN THE BOTTOM SHELF
AND ATTACH IT TO THE UPPER SHELF/METAL CONNECTOR CAP (10.2).



STEP 12

MAXIMUM WEIGHT ON EACH SHELF IS 10 KG.
NOW YOU JUST NEED TO PLACE YOUR FAVORITE ITEMS
ON THE SHELVES AND ENJOY.



DESIGNED BY
LEONARD ALDENHOFF