

SYSTEM 1 2 3
*dining & lounge chair
w. butterfly base*

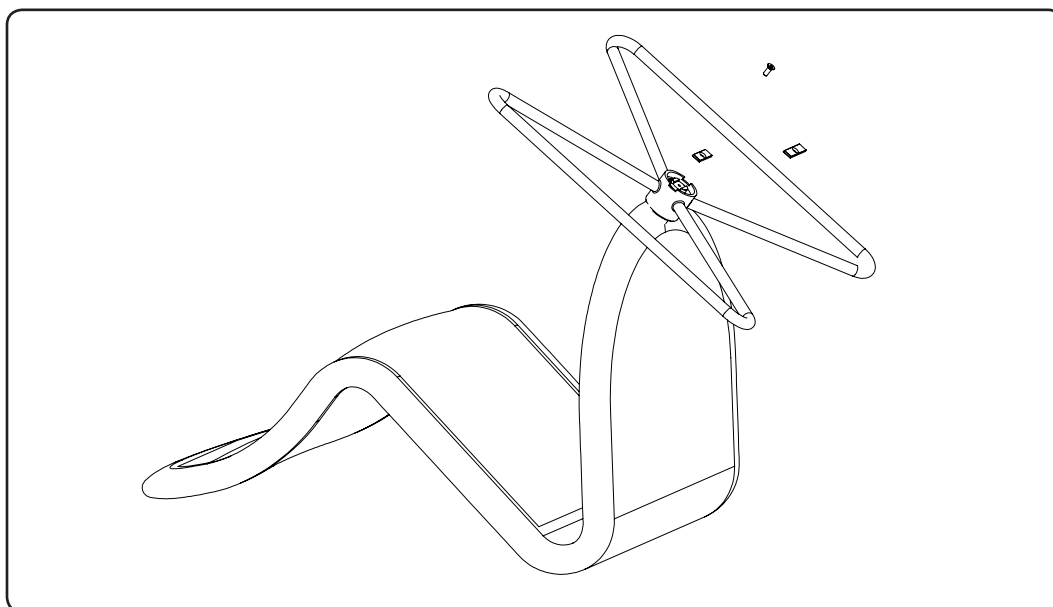
Design by VERNER PANTON

1

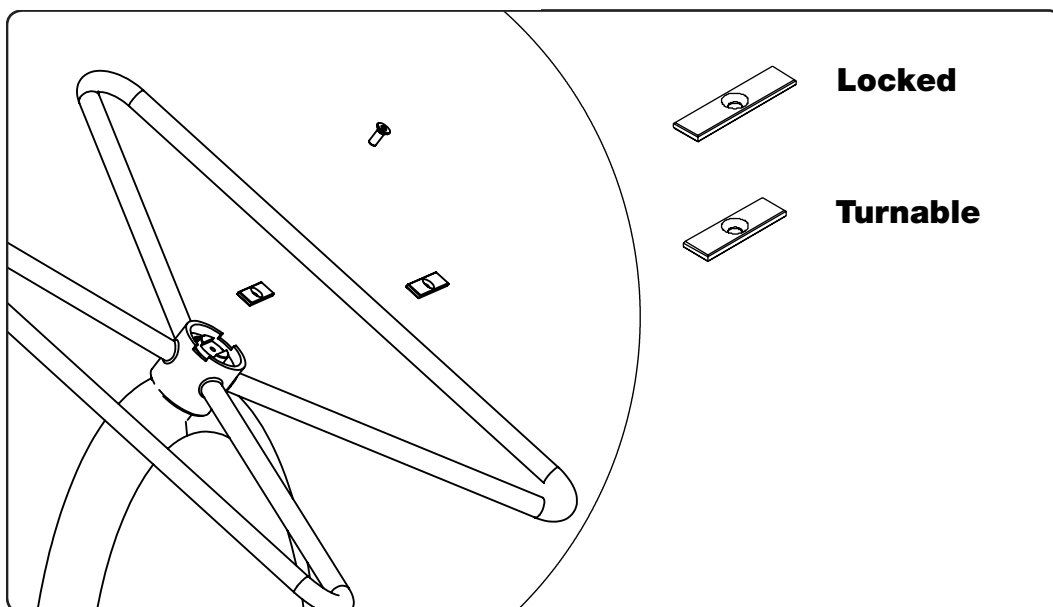
The chair is mounting with a turnable function. If you wish to change the function of the chair to locked please follow this instruction. Otherwise the chair is ready to use.

Notice!
The System 1 2 3 chair is for indoor use only!

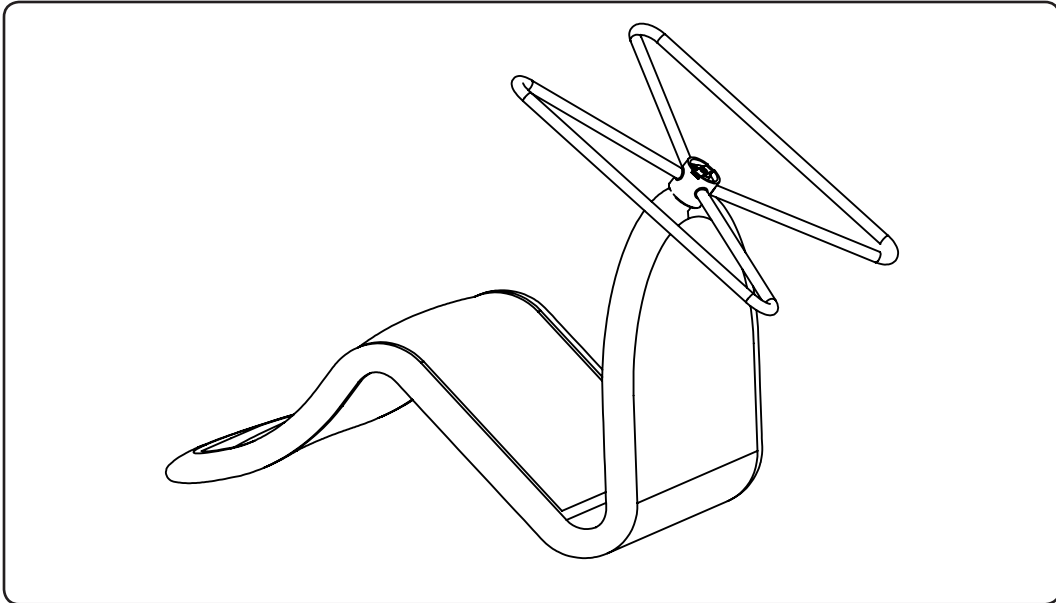
2



3



4



5



6

Maintenance of System 1 2 3 with butterfly base:

Butterfly base: wipe off with a damp cloth. – Grease stains can be removed with soapy water.

Fabric: Regular cleaning is important in order to keep the upholstery looking its best and to prolong its life. Dust and dirt wear the textile and also reduce its fire-retardant properties.

Vacuum frequently on medium power, ideally every week. Remove non-greasy stains by carefully dabbing with a lint-free cloth or sponge wrung out in clean warm water. Afterwards, if necessary, clean by dabbing with soapy water or water with a little washing-up liquid added. See formulae. Finally, dab the surface with clean, tepid water.

DESIGNED
IN THE PAST
MADE FOR
TOMORROW

VERPAN ApS
Egeskovvej 29
8700 Horsens
Denmark

www.verpan.com

info@verpan.dk