

Carmel Coffe Table - 75x75

Designed by OEO - 2021



ITEM NUMBER	Carmel Coffee Table , 75x75 Clam White / Black Semi Matt Base	10117296
DESCRIPTION	A family of hybrid coffee tables intended for both indoor and outdoor use, the Carmel Table Collection by OEO Studio introduces ceramic to the GUBI material palette. Made with single-fired Italian stoneware and available in three sizes, the tables are finished with a protective high-gloss colored glaze that gives them vibrance and energy, evoking the carefree bohemian lifestyle of the Californian coast.	

Materials & Finishes

TABLE TOP FINISH

Clam White

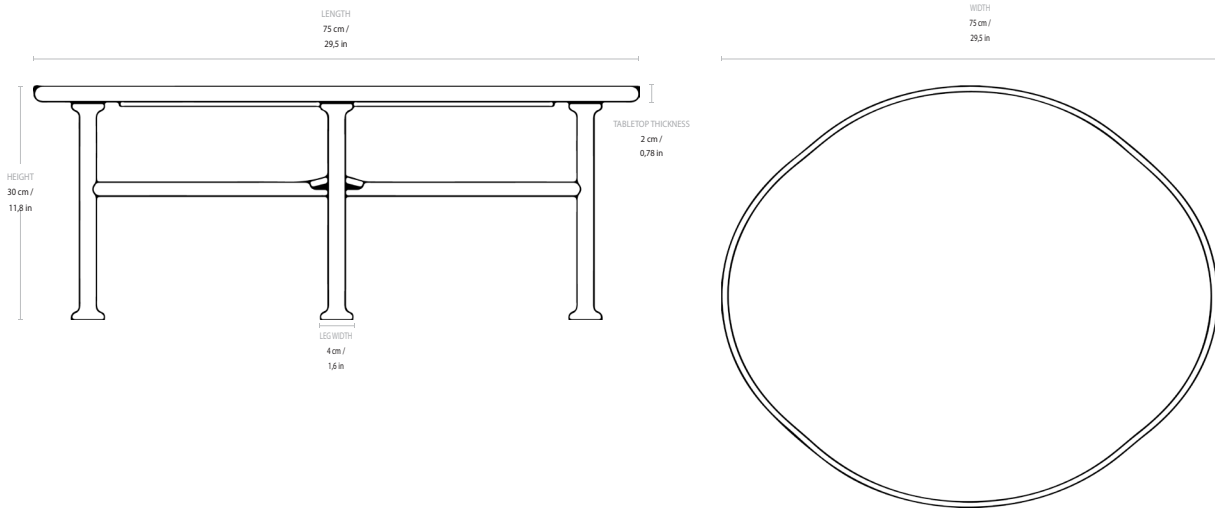


BASE FINISH

Black Semi Matt, RAL 9004



Dimensions



WIDTH	75 cm / 29.5 in
LENGTH	75 cm / 29.5 in
HEIGHT	30 cm / 11.8 in
TABLE TOP THICKNESS	2 cm / 0.78 in
DIAMETER OF COLUMN/LEG	2 cm / 0.78 in

Weight

TOTAL WEIGHT	26.3 kg / 58 lbs
TOTAL PRODUCT WEIGHT	16 kg / 35.2 lbs
TABLE TOP WEIGHT	14 kg / 30.8 lbs
BASE WEIGHT	2 kg / 4.4 lbs

Number of parcels	2
PACKAGING 'NAME'	BASE
PACKAGING LENGTH	83 cm / 32.6 in
PACKAGING WIDTH	56 cm / 22 in
PACKAGING HEIGHT	5 cm / 2 in
PACKAGING WEIGHT	0.8 kg / 1.7 lbs
GROSS WEIGHT	3.3 kg / 7.2lbs

PACKAGING 'NAME'	TABLETOP
PACKAGING LENGTH	83 cm / 32.7 in
PACKAGING WIDTH	83 cm / 32.7 in
PACKAGING HEIGHT	15 cm / 5.9 in
PACKAGING WEIGHT	9 kg / 19.8 lbs
GROSS WEIGHT	23 kg / 50.7 lbs

Test & Certifications

SALT SPRAY TEST NSS UNI EN ISO 9227:2017

SUSTAINABILITY Carmel Coffee table base is shipped flat packed in a plastic-free cardboard packaging.

Glides

HYBRID TOUGH RUBBER GLIDES Attached as standard

KEY FEATURES The table comes flatpacked and is a hybrid, which makes it usable both indoors and outdoors without.
