

GHOST

ASSEMBLY INSTRUCTION

WOUD

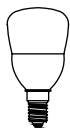
SOMETIMES I FIND INSPIRATION IN
FORGOTTEN OBJECTS AS IN THIS CASE,
WHEN I SPOTTED A PORTABLE OIL LAMP
AT A FLEA MARKET. IT HAD SUCH A
DISTINCTIVE AND UTILITARIAN ARCHETY-
PICAL FORM THAT WAS SPEAKING TO ME
SOMEHOW AND I WAS WONDERING IF I
COULD TRANSLATE THIS IN SOMETHING
MORE CONTEMPORARY WITH A SIMILAR
PRACTICAL CHARACTER YET WITH A MORE
DISCREET PRESENCE

A large, fluid, handwritten signature in black ink, appearing to read 'A. Kowalewski', with a long horizontal stroke extending to the left and a small dash at the end.

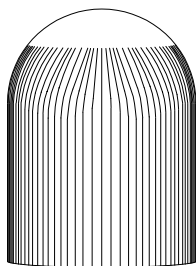
ANDREAS KOWALEWSKI

ASSEMBLY INSTRUCTION

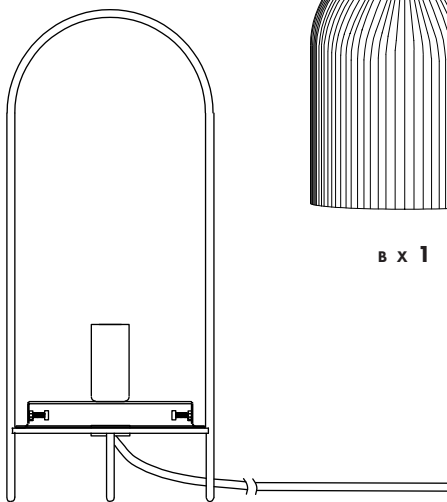
**PLEASE GO THROUGH THE FOLLOWING
STEPS CAREFULLY. RETAIN THIS MANUAL
FOR FUTURE REFERENCE TO ENSURE THAT
YOUR NEW ITEM IS CORRECTLY ASSEMBLED
IN CASE IT SHOULD BE DISASSEMBLED OR
MOVED. WE ARE NOT RESPONSIBLE FOR
ANY FAULTS OR DAMAGES CAUSED BY
NOT FOLLOWING THESE INSTRUCTIONS
CORRECTLY.**



**NOT
INCLUDED**



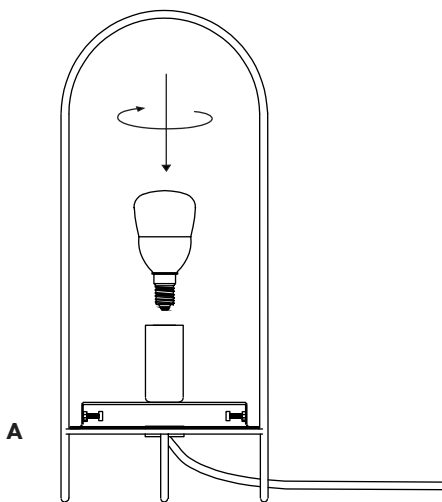
B X 1



A X 1

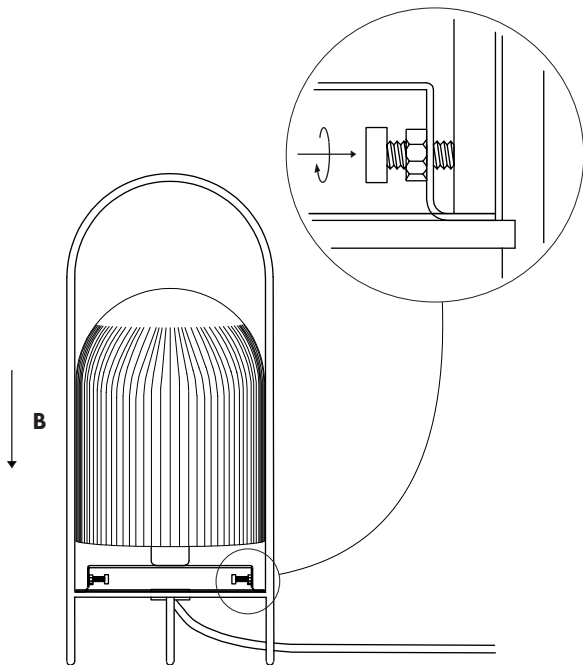
STEP 1

INSERT A SUITABLE LIGHT BULB IN THE SOCKET



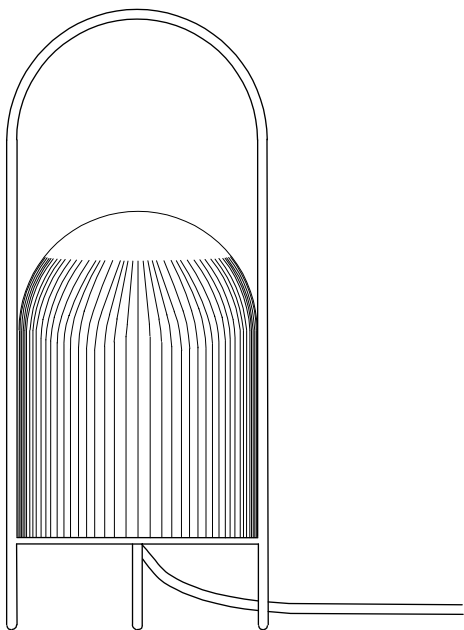
STEP 2

MOUNT THE GLASS SHADE ON TO THE METAL FRAME AND FIX IT BY TURNING THE TWO SCREWS UNDERNEATH THE SOCKET



STEP 3

TURN ON THE LIGHT - AND ENJOY



SAFETY INSTRUCTIONS



IF THE EXTERNAL FLEXIBLE CABLE OR CORD OF THIS LUMINAIRE IS DAMAGED, IT SHALL BE EXCLUSIVELY REPLACED BY THE MANUFACTURER OR SIMILAR QUALIFIED PERSON IN ORDER TO AVOID A HAZARD.

THE LAMP IS ONLY INTENDED FOR INTERIOR USE.

LAMP EXTERIOR CAN GET HOT AFTER PROLONGED USE.

ENSURE BULB HAS FULLY COOLED BEFORE ATTEMPTING TO REMOVE IT.

PROTECT FROM CONTACT WITH LIQUIDS.

DO NOT PLACE THE CABLE IN REACH OF SMALL CHILDREN OR ANYWHERE THERE IS A RISK OF FALLING OVER IT.

WARNING: MUST BE INSTALLED BY A LICENCED ELECTRICIAN.

DESIGNED BY
STUDIO KOWALEWSKI