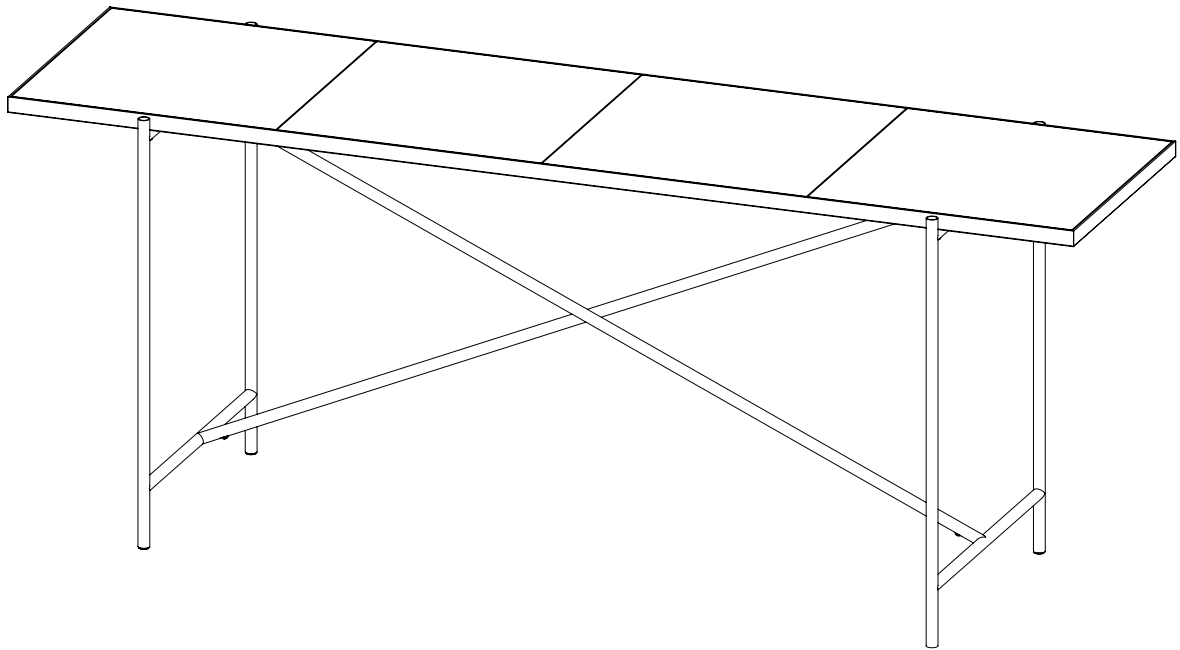


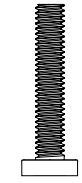
HANDVÄRK



Console Assembly Instructions

HANDVÄRK

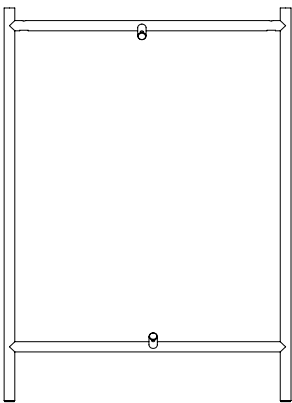
Console



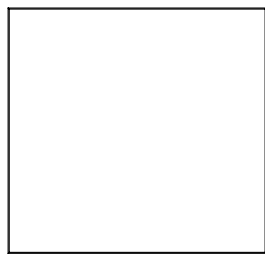
(A) x 5



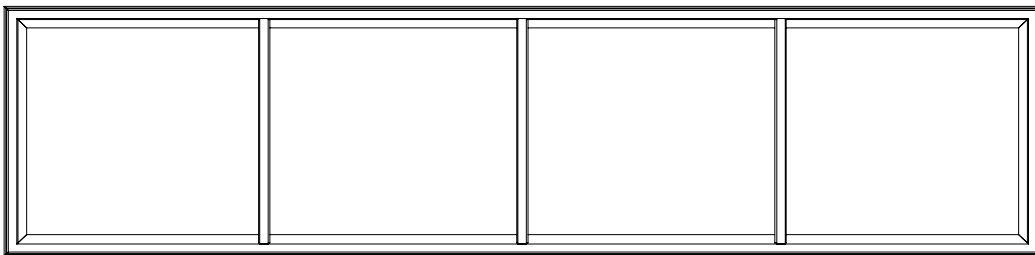
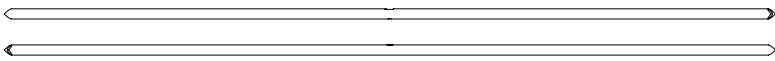
(B) x 4



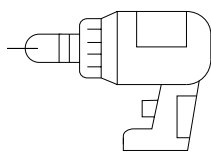
x 2



x 4



Recommendation

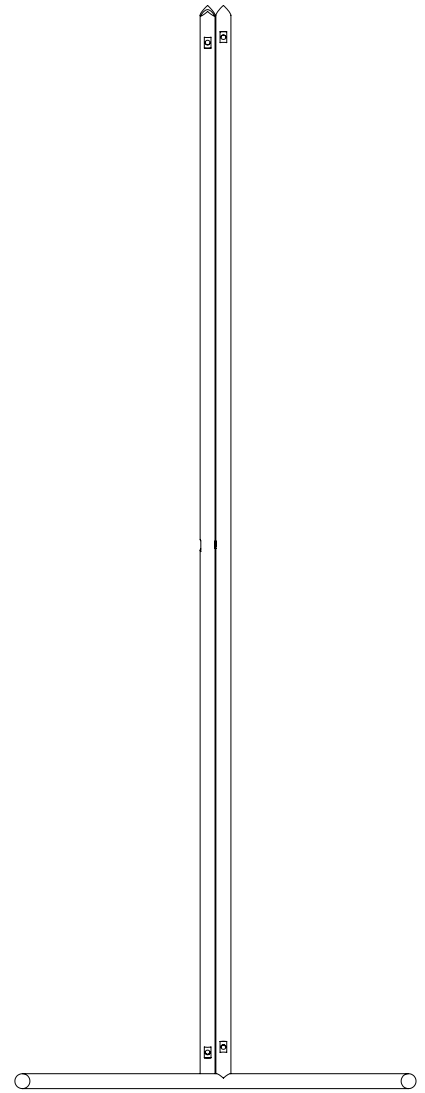
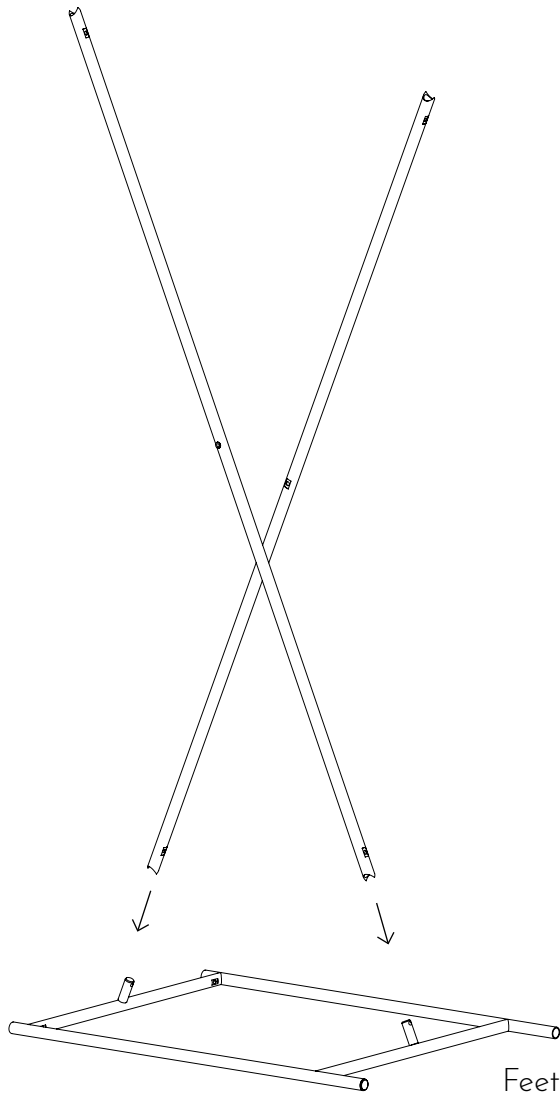


Hand Drill

HANDVÄRK

Console

1

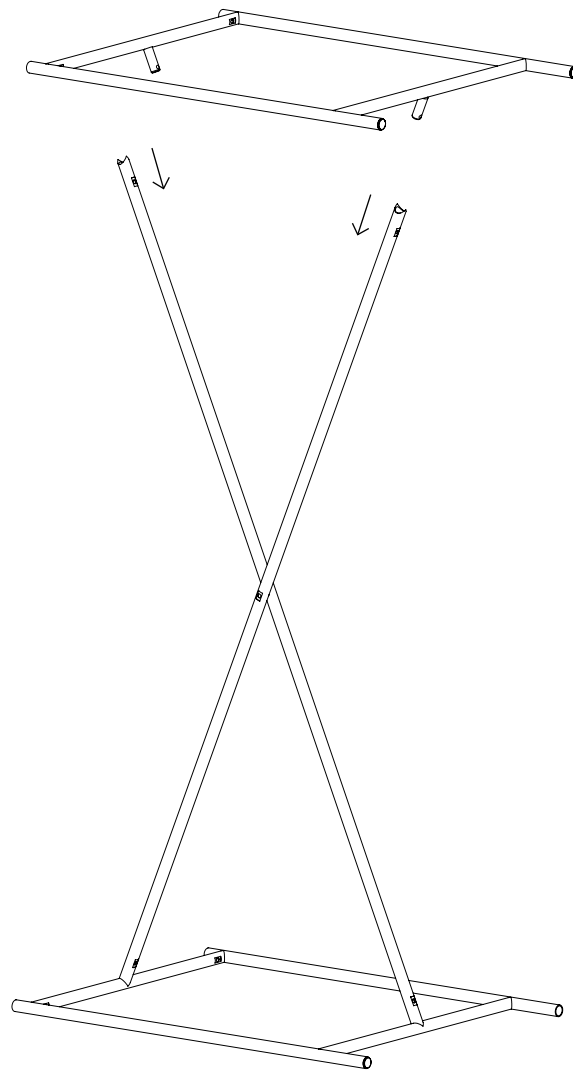


Place the cross bars on the taps so all holes are pointing towards the feet. The bars should not cross over each other.

HANDVÄRK

Console

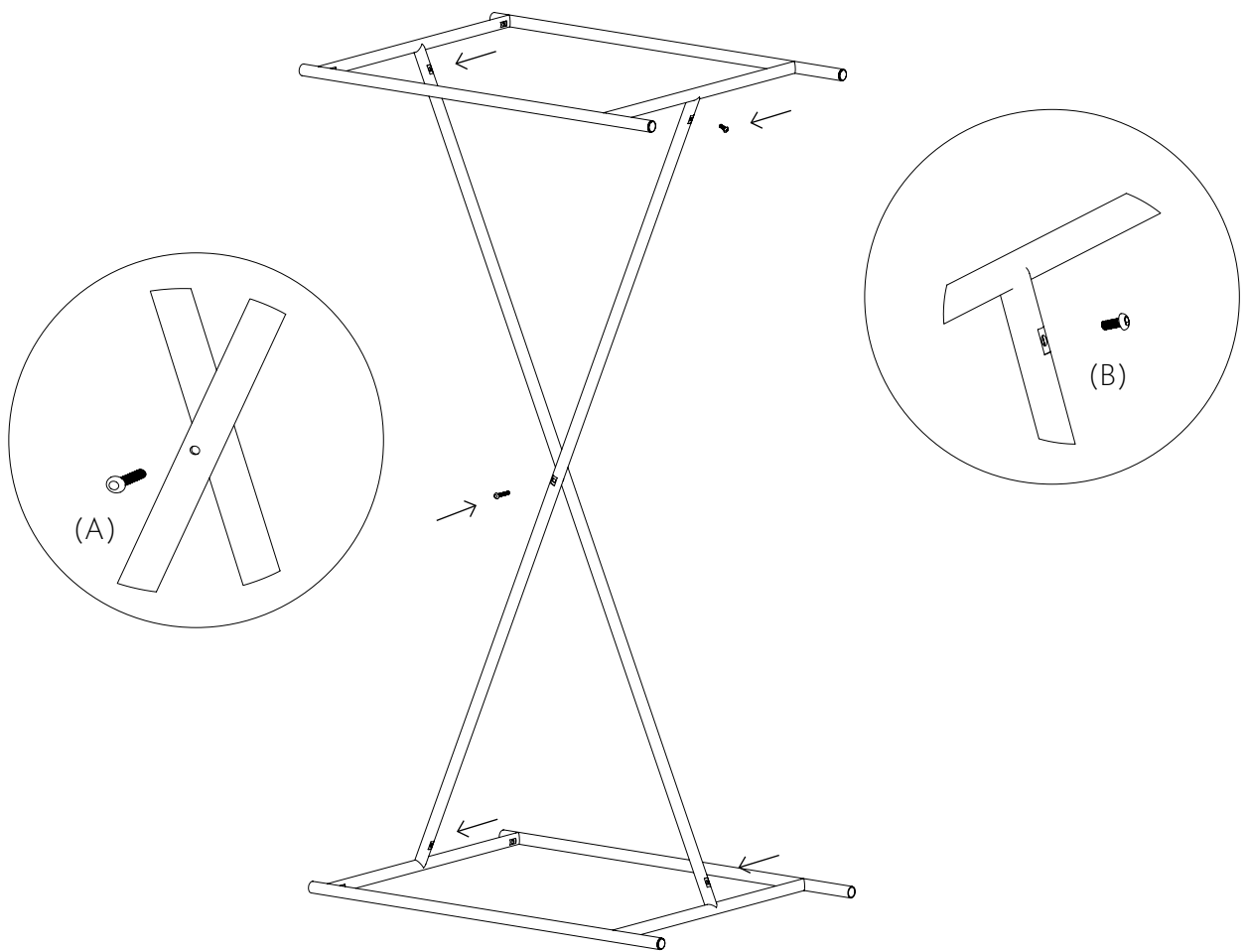
2



HANDVÄRK

Console

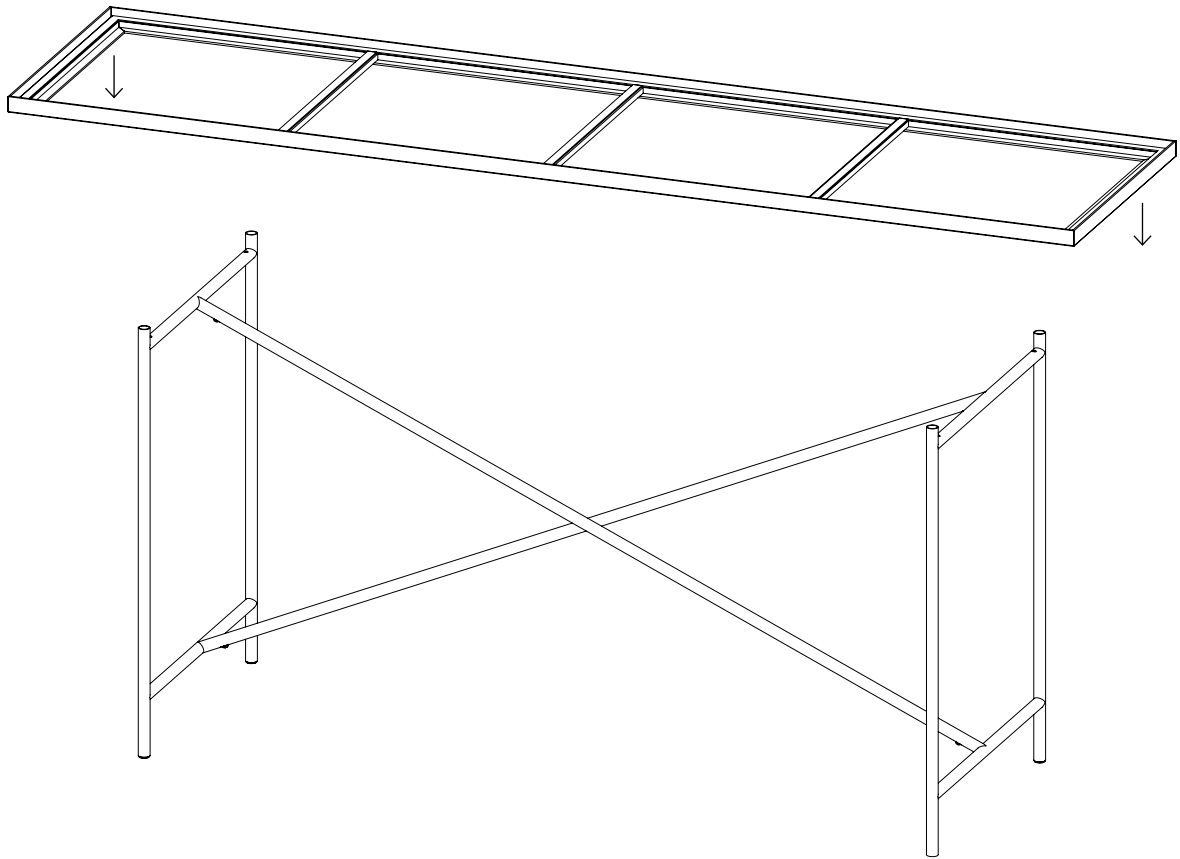
3



HANDVÄRK

Console

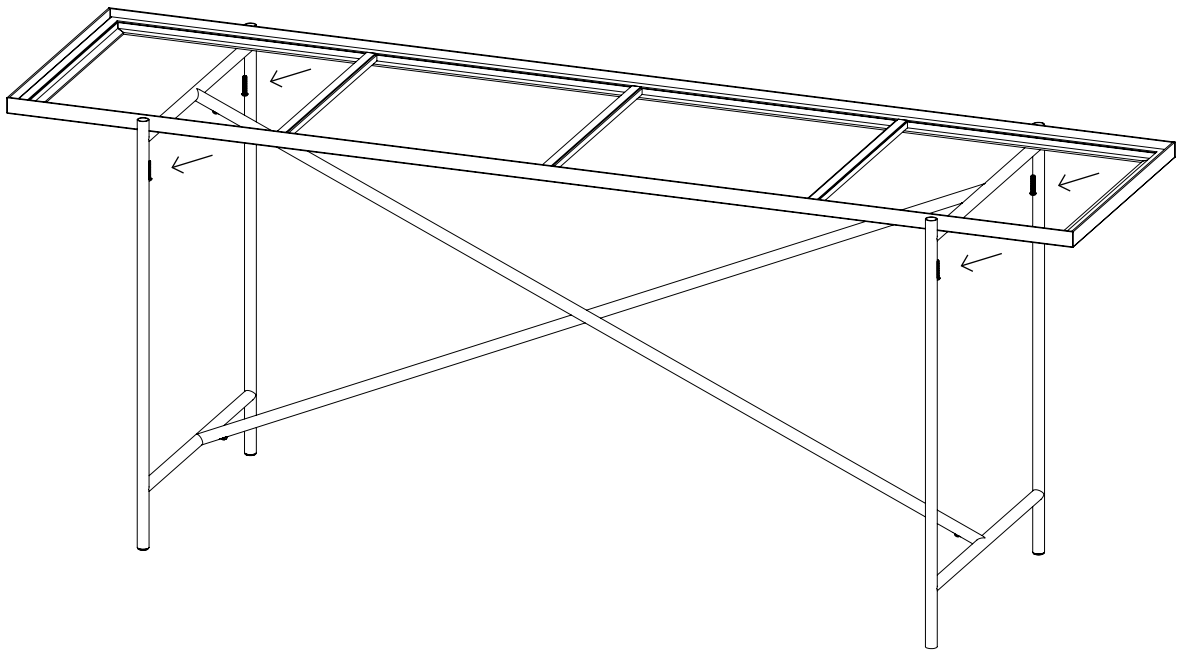
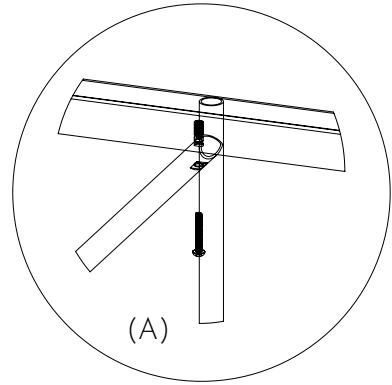
4



HANDVÄRK

Console

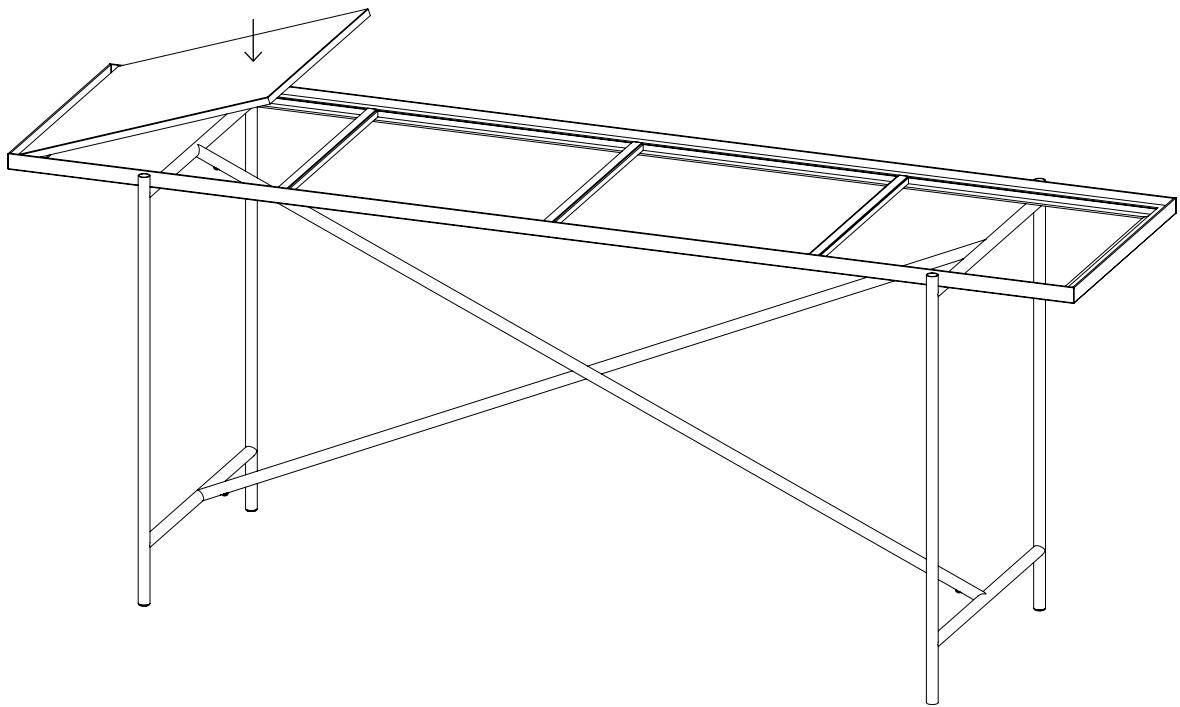
5



HANDVÄRK

Console

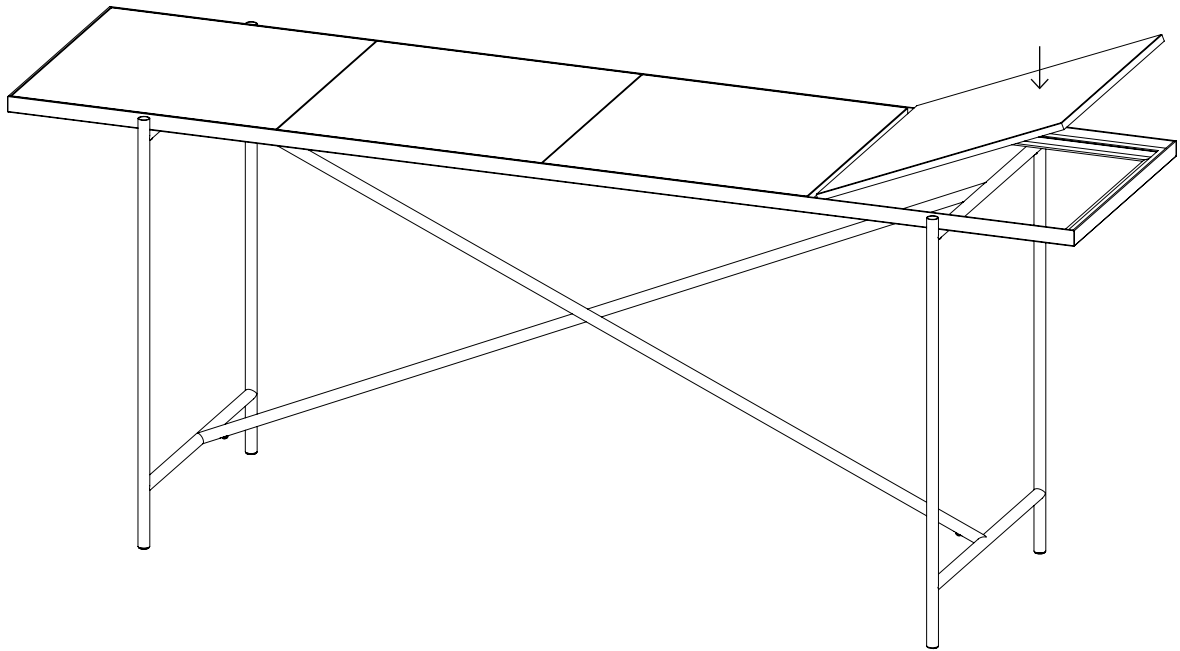
6



HANDVÄRK

Console

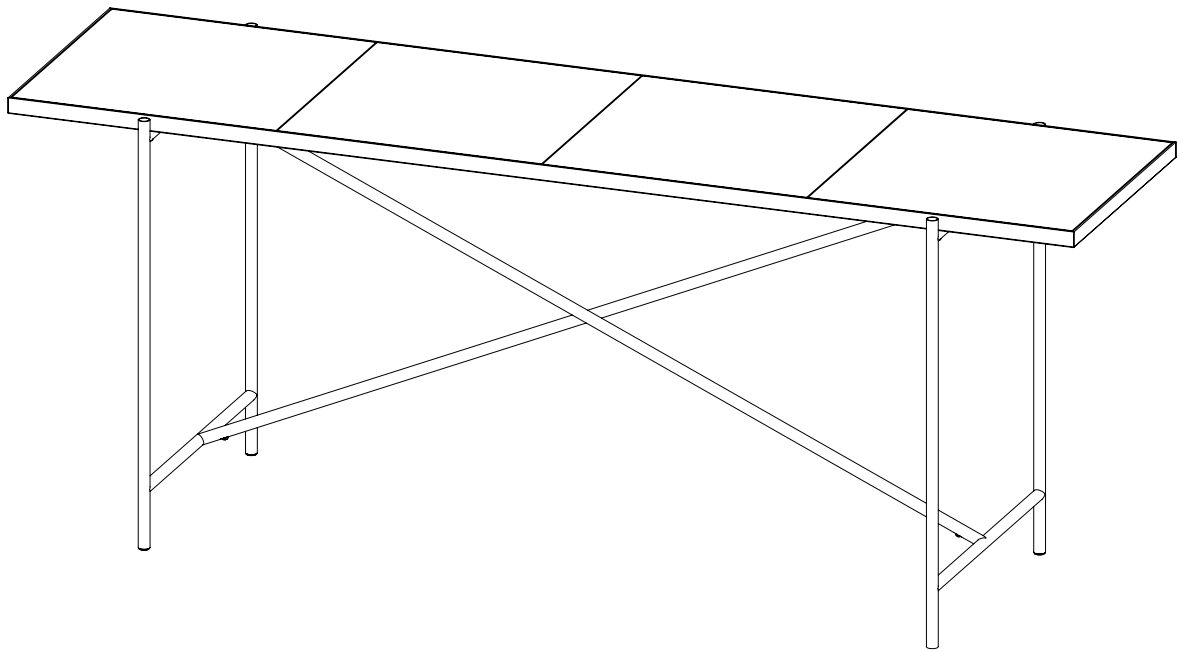
7



HANDVÄRK

Console

8



HANDVÄRK

HANDVÄRK ApS | Aarhusgade 136A | 2150 Nordhavn | Copenhagen Denmark
info@handvark.com | +45 31 777 943 | www.handvark.com