

Designed by Mathieu Matégot

PRODUCT



Item no.: 60002-00
+ style code

DESCRIPTION

The spacious tea trolley with two trays in perforated steel was designed by Mathieu Matégot in 1953-54. The trolley is connected by steel tubes, includes a newspaper holder and has rotating castors. It comes with colored trays with a black base - Midnight Black & Black, Rainy Grey & Black, Dusty Green & Black, White Cloud & Black, Rose & Black and Sand & Black. Mathieu Matégot creates his legendary pieces in 1950s. The three-legged Nagasaki Chair is Matégot's best known piece. Besides the trolley the collection consists of Nagasaki chair, Nagasaki stool, Kangourou sofa table, Dedal shelves, Coatrack, Demon shelves and Copacabana collection. All models are made of powder-lacquered steel.

VERSION

- Black frame / Midnight Black top plate // RAL 9005, gloss level 10 / RAL 9011, gloss level 10
- Black frame / Rainy Grey top plate // RAL 9005, gloss level 10 / NCS S 5005-B80G, gl. level 10
- Black frame / White cloud top plate // RAL 9005, gloss level 10 / RAL 9001, gloss level 10
- Black frame / Rose top plate // RAL 9005, gloss level 10 / RAL 040 80 10, gloss level 10
- Black frame / Sand top plate // RAL 9005, gloss level 10 / RAL 075 70 20, gloss level 10
- Black frame / Dusty Green top plate // RAL 9005, gloss level 10 / RAL 150 60 20, gl. level 10

TYPES

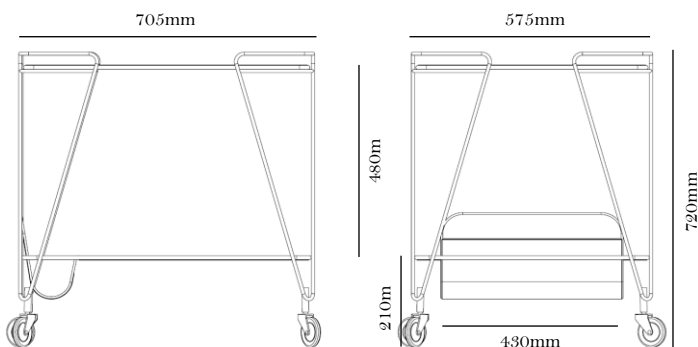
Order item - look for part number in the pricelist.

The series consists of the following:

Nagasaki chair, Nagasaki stool, Kangourou table, Dedal shelf, Coat rack, Demon shelf, Trolley, Copacabana chair, Copacabana table...



MEASUREMENTS



COLOURS



FACTS

MEASUREMENT - H X W X D MM

Height: 720 mm
Width: 575 mm
Length: 705 mm
Height bottom tray: 210 mm
Height between trays: 480 mm
Width newspaper holder: 430 mm
Weight: 13.4 kg
Maximum load: 25 kg

PACKAGING TYPE
Cardboard box

PACKAGING MEASUREMENT - L X W X H CM
L: 76 X W: 64 X H: 76 CM

WEIGHT PACKAGING - MATERIAL TYPE

- Delivery note: 15 g
- Cardboard box, FEFCO quality BC85BB: -g
- Polybag PE: ~300 g
- LD-EPE foam protector: ~400 g
- Strapping: 10 g

WEIGHT PACKAGING - TOTAL
17,6 kg

NUMBER OF PARCELS
2 psc.

ACCESSORIES

-

CLEANING AND MAINTENANCE

- For dusting and lightly cleaning use a soft, dry cloth. For further cleaning of the, use a mild detergent or washing-up liquid dissolved in water on a firmly wrung cloth. Afterwards, repeat the process with clean water as described above.

Polish with a soft cloth after wiping.

Do not use materials for maintenance that:

- Contain abrasive agents.
- Are basic, acidiferous or organic.

For the best maintenance of the product, protect it against sunlight and heat, and try to keep it away from moisture, grease and other dirt.

Furthermore, protect the surfaces against sharp objects and other that might scratch.

ENVIRONMENT

Parts can be separated and sorted for recycling.

TESTS

-

CERTIFICATION AND LABELS

-