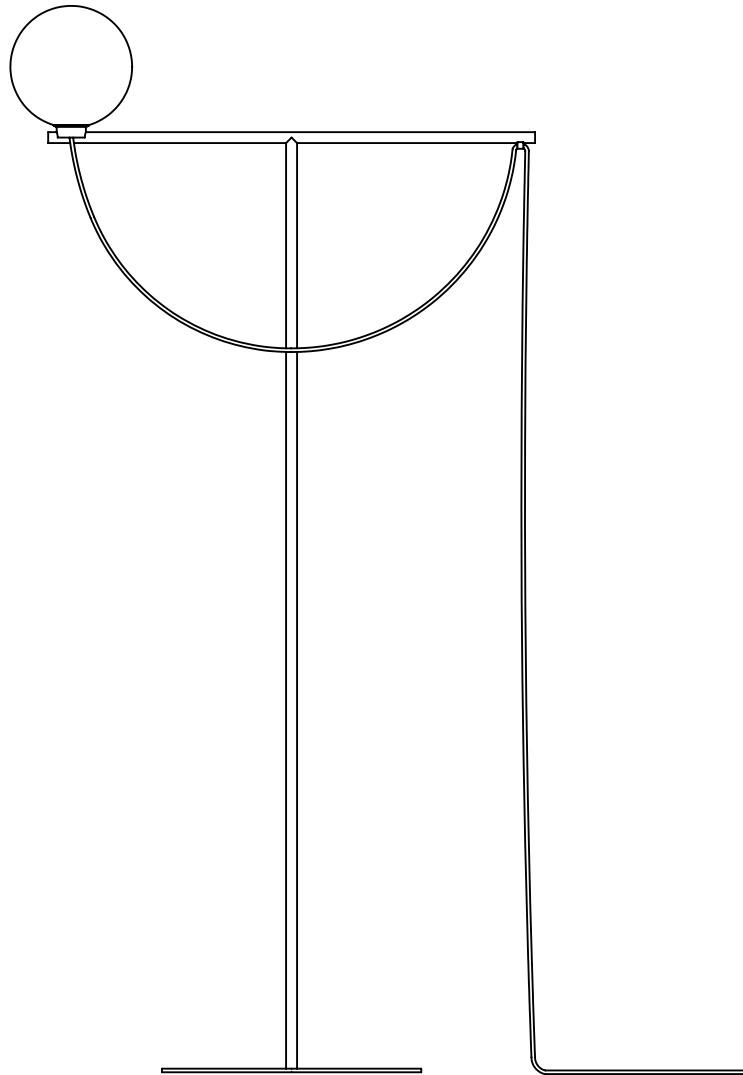


HANDVÄRK

F U R N I T U R E

Globe Floor Lamp



Globe Floor Lamp
Assembly Instructions

HANDVÄRK

F U R N I T U R E

Globe Floor Lamp

Important Information

Inspect the lamp in case of clear damage to components. Contact us if there is clear damage.

1. Please ensure that all electrical connections (even pre-assembled lamps) are screwed tightly or are fully inserted as good contact is essential for a long life-span at high currents.

Please check for tight connections after changing or adjusting lamps. Screwed connections must be tightened after 20 minutes.

2. Please do not place extra weight onto the lamp (e.g. for decorative purposes) if they were not delivered with the system.

3. Metal parts and glass could get very hot when in use. Please allow lamps to cool down before touching.

4. Avoid changing bulb or glass when switched on.

5. The floor lamp should not be enlarged with additional lamps.

Bulb:

MAX 3.5W LED Bulb to be used.

Do not use Halogen.

Placement:

Indoor use only in normal dry conditions.

Do not install outside.

The glass used for this lamp is hand-blown.

Only the best quality glass is chosen.

Air bubbles and variations in thickness and colour is normal.

Care Instructions

Wipe glass and metal parts with a damp cloth soaked in warm water and a small amount of mild detergent. Use only soft cloth for wiping and polishing, never sponges or steel wool. Do not use abrasive household cleaners.

Do not use acidic or alkaline cleaning materials, glass cleaner or household ammonia.

Ensure water stays away from electrical connections.

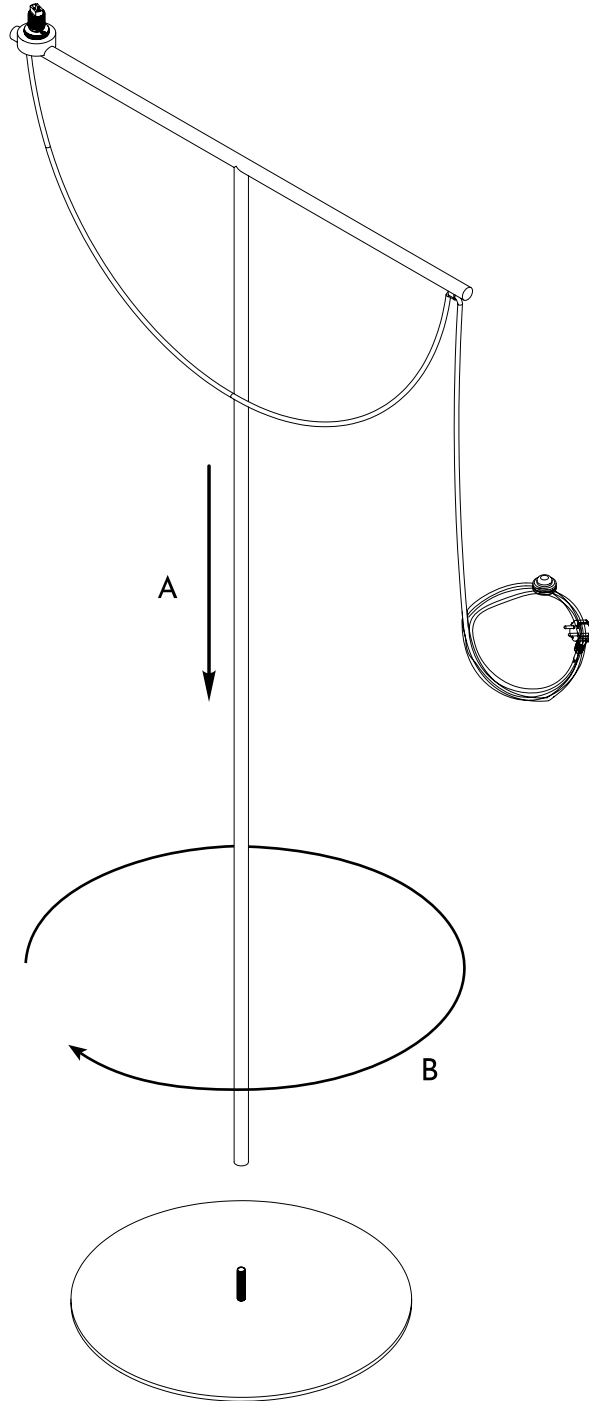
Fitting: G9

HANDVÄRK

F U R N I T U R E

Globe Floor Lamp

1

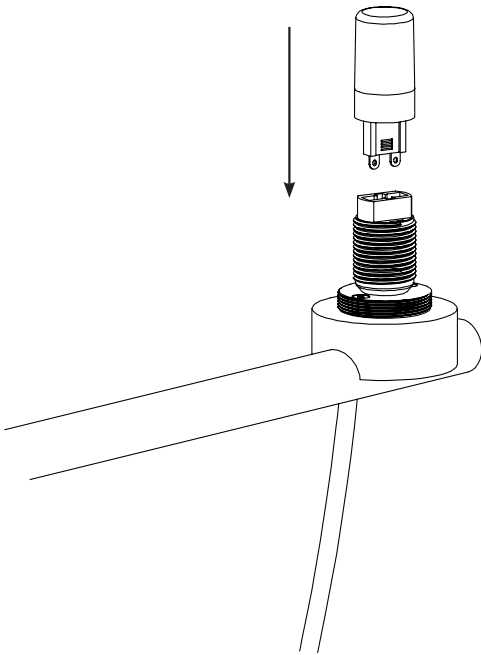


HANDVÄRK

F U R N I T U R E

Globe Floor Lamp

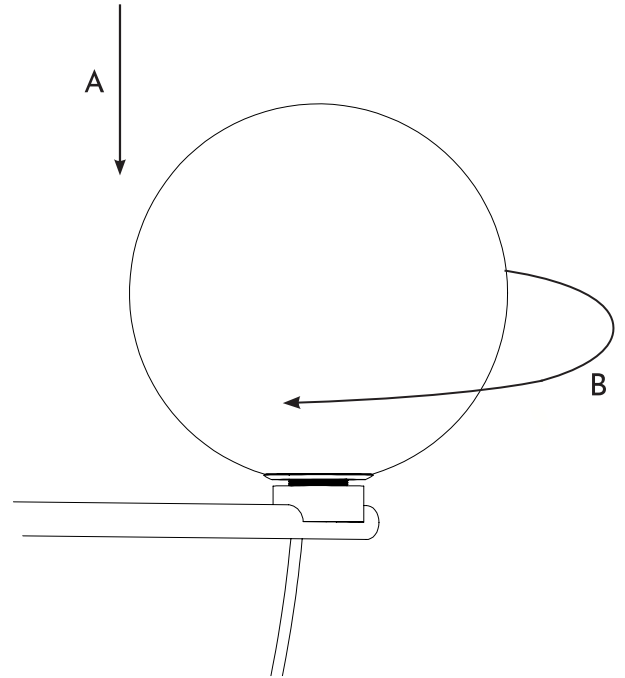
2



Place a G9 LED bulb in the socket.

MAX 3.5W

3



Take the glass globe and carefully place it over the light bulb and socket.

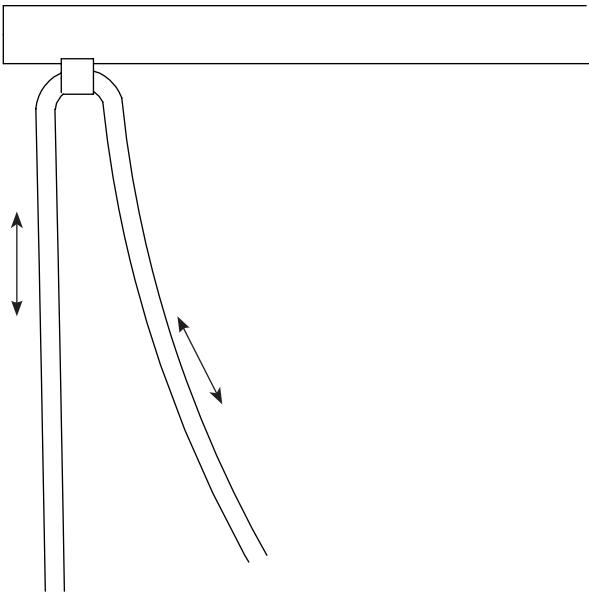
Fixate it by turning the glass globe clockwise around the thread. Ensure it is securely fastened.

HANDVÄRK

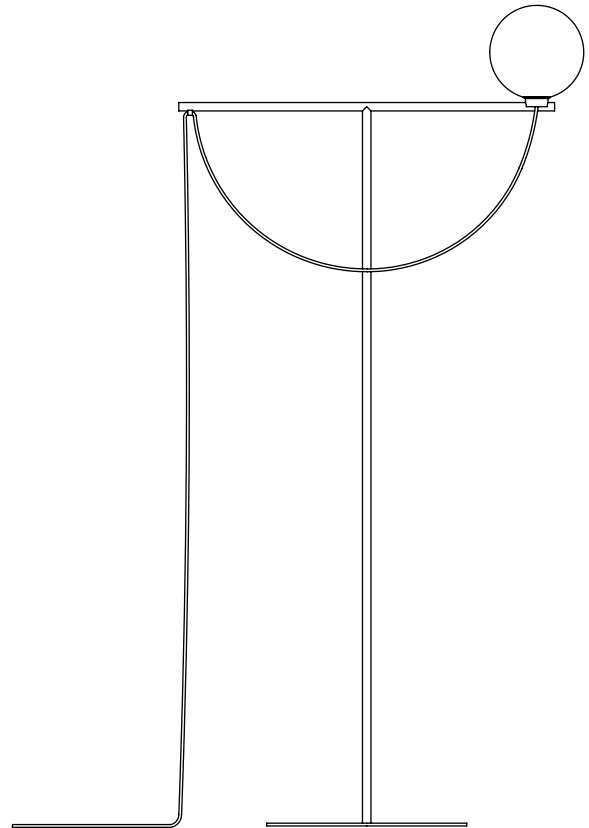
F U R N I T U R E

Globe Floor Lamp

4



5



Adjust the length of the cable by feeding it through the cable holder.

Take care to avoid fraying the fabric.

Plug in and press the switch to turn on and off.

Complete.

HANDVÄRK

F U R N I T U R E

HANDVÄRK ApS | Aarhusgade 136A | 2150 Nordhavn | Copenhagen Denmark
info@handvark.com | +45 31 777 943 | www.handvark.com