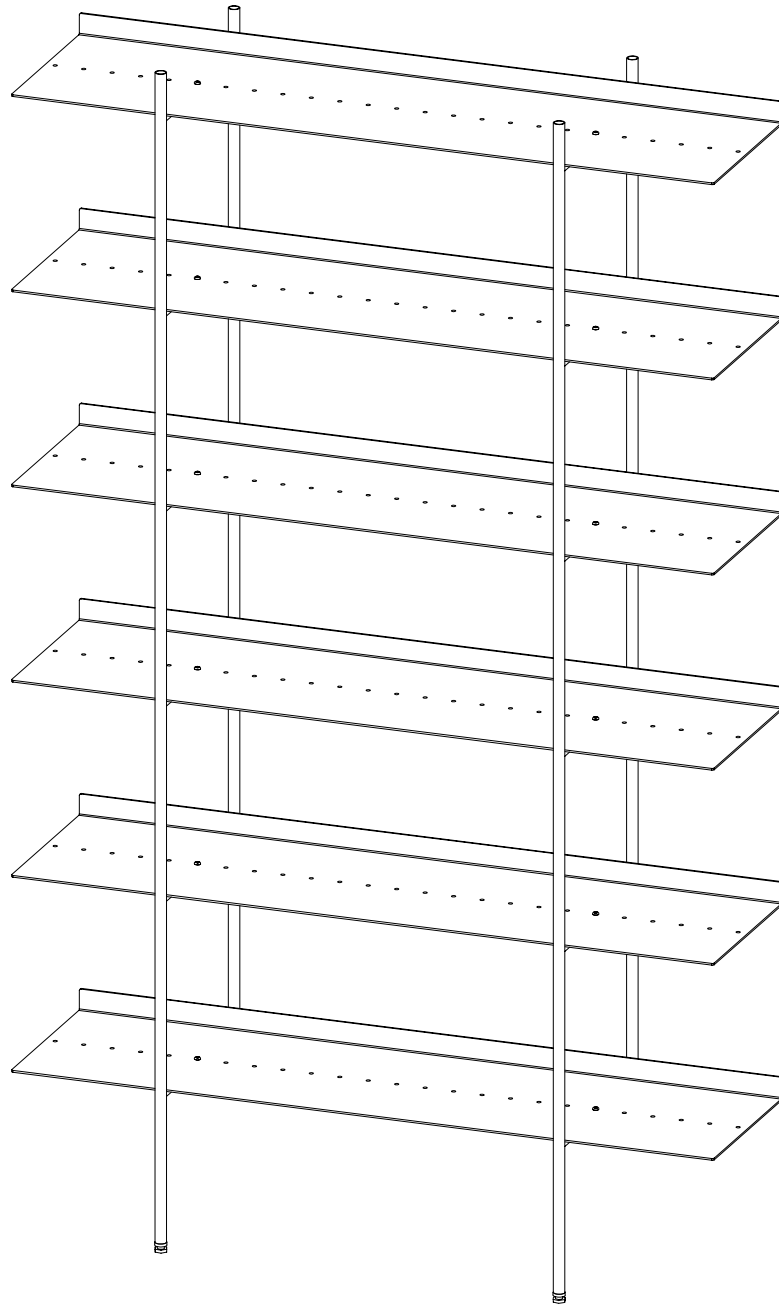


HANDVÄRK

F U R N I T U R E



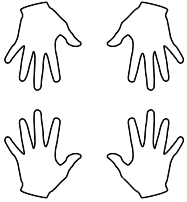
Phantom Shelving System Large Assembly Instructions

HANDVÄRK

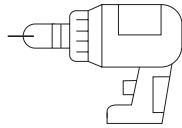
F U R N I T U R E

Phantom Shelving System Large

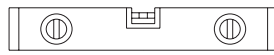
Required



2 People



Hand Drill with long drill bit



Spirit level

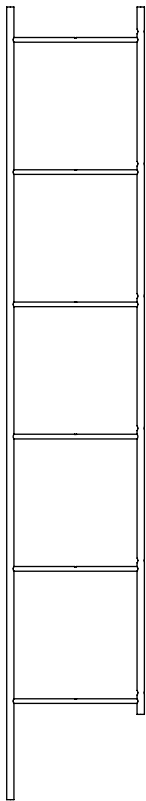


Pencil

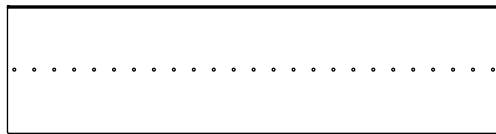


Ladder

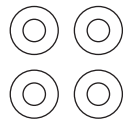
Included



Ladder
x 2



Shelf
x 6



Washer Set
x 6



Hex Key



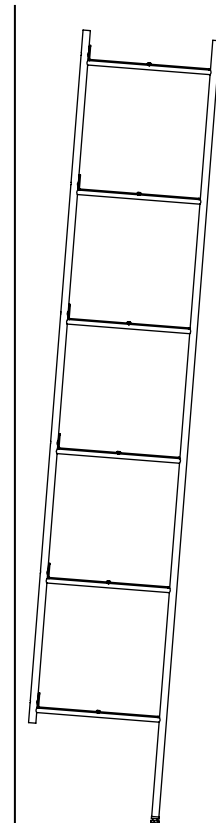
Cover Plug
x 4



(A) x 12

Warning

Make sure the system is supported during assembly so it does not fall over.



Screws and rawl plugs for the wall are not included. Different wall materials require different tools and parts. Please seek professional advice for the wall you want to mount to.

Free standing placement is not possible. This system must be mounted securely to a wall.

HANDVÄRK

F U R N I T U R E

Phantom Shelving System Large

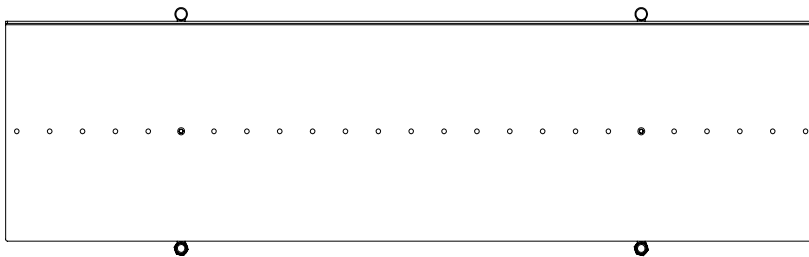
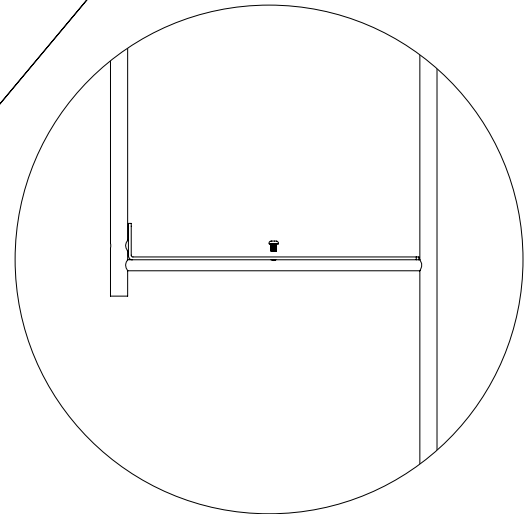
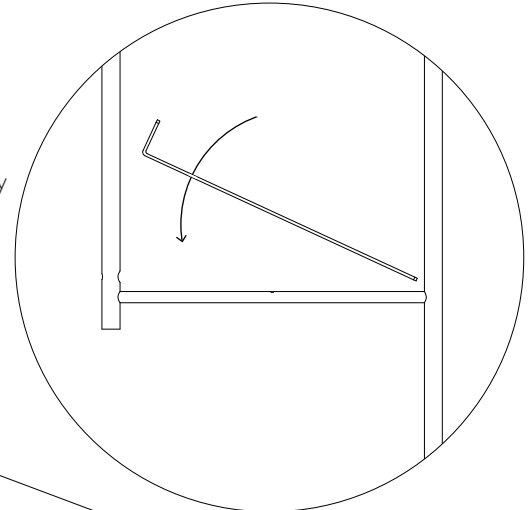
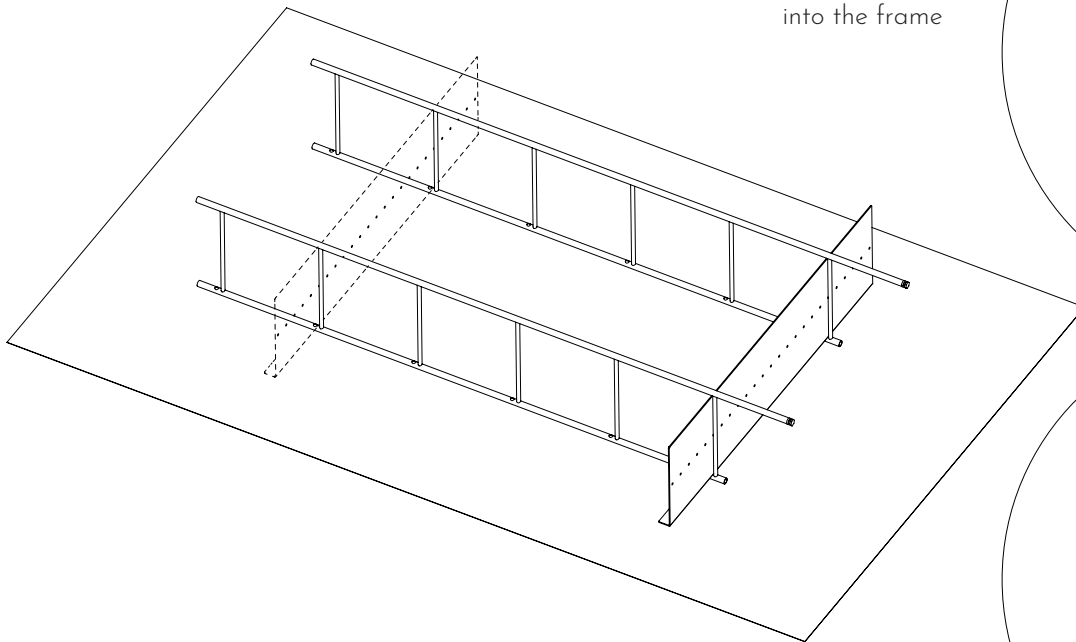
1

Place the ladders onto a soft surface to stop the paint being damaged.

While one person holds the ladders, carefully place a shelf inside and use two screws to secure it. You may wish to secure a shelf on the top as well.



Slide shelf carefully into the frame



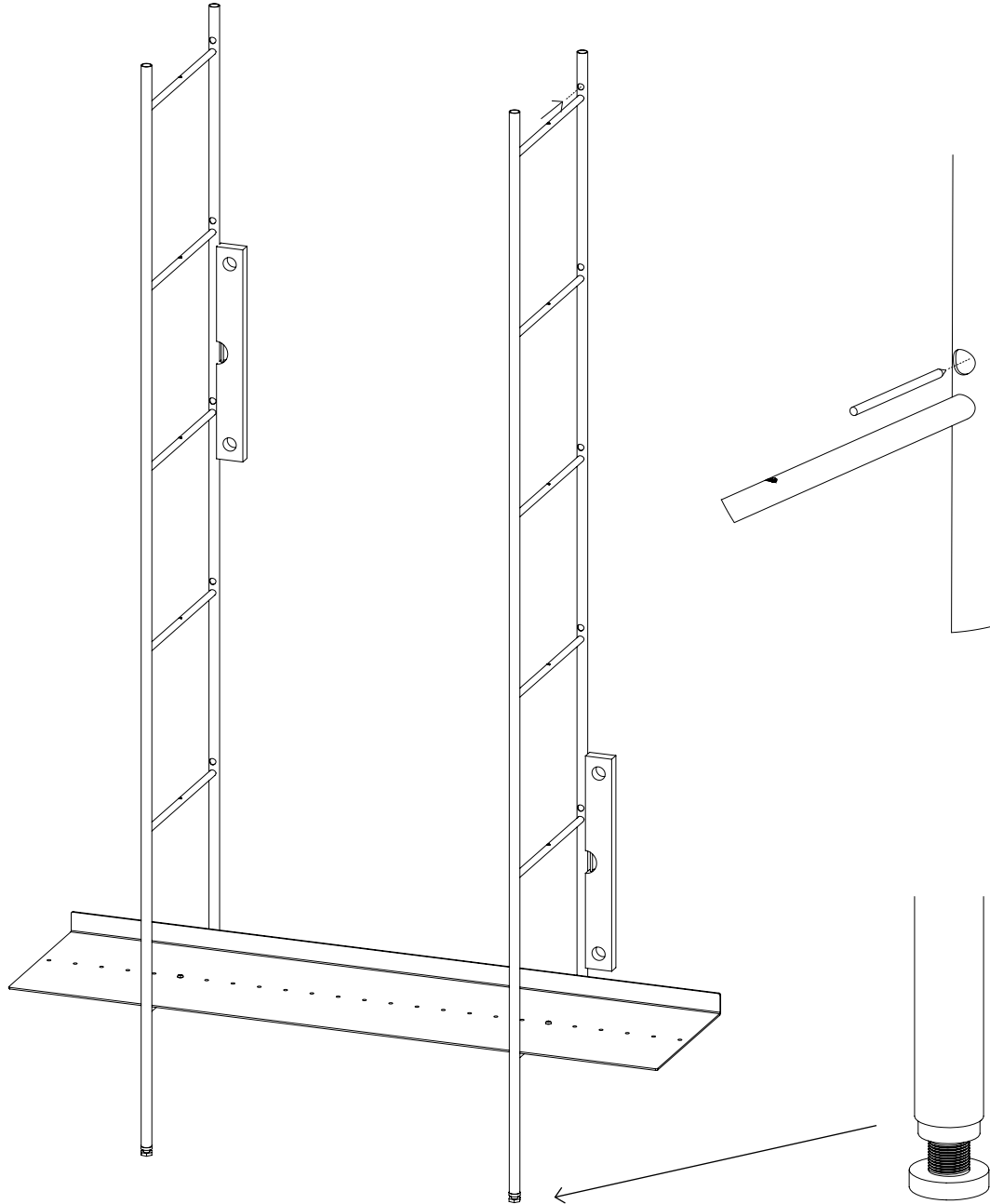
We recommend placing the ladders 6 holes in from each edge of the shelf. This will provide good stability and less chance of the metal bending if significant weight is placed in the centre.

HANDVÄRK

F U R N I T U R E

Phantom Shelving System Large

2



Carefully lift the shelving system against the wall. Use a spirit level to make sure it is standing completely vertical along the entire length. Adjust the feet if there is an uneven floor.

Use a pencil to mark where you should drill into the wall.

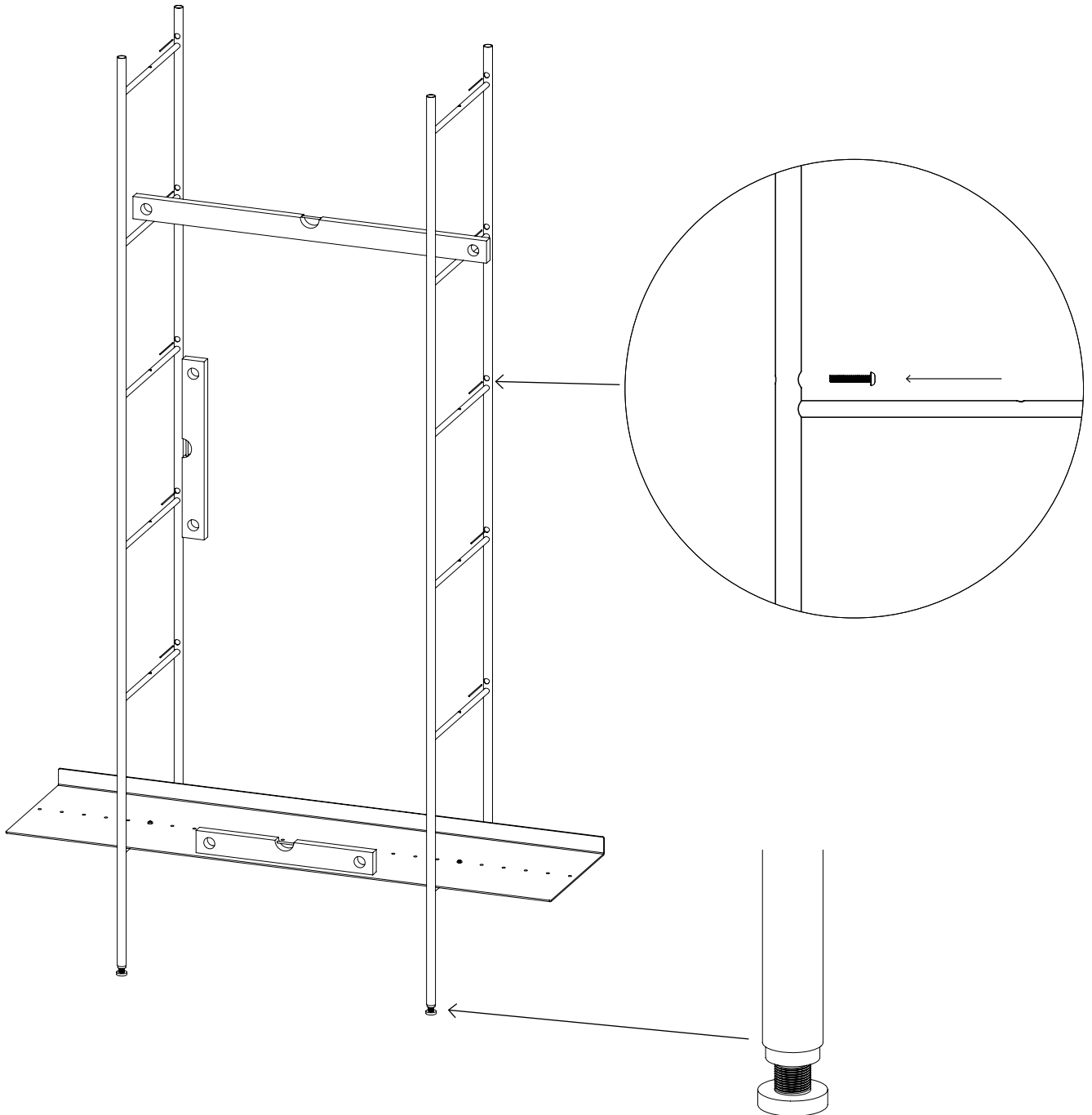
Place the system back on the soft ground. Prepare the walls for the screws.

HANDVÄRK

F U R N I T U R E

Phantom Shelving System Large

3



Drill and place appropriate rawl plugs for the material you are mounting to. Seek advice if you are unsure.

Fix the system to the wall by drilling screws into the rawl plugs.

Make sure to check the levels and adjust the feet as you mount in case it isn't level.

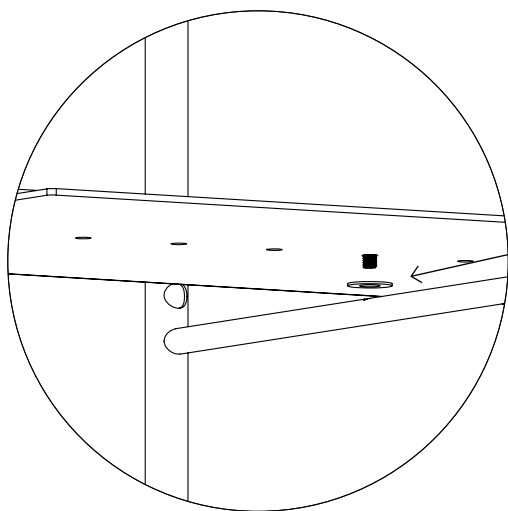
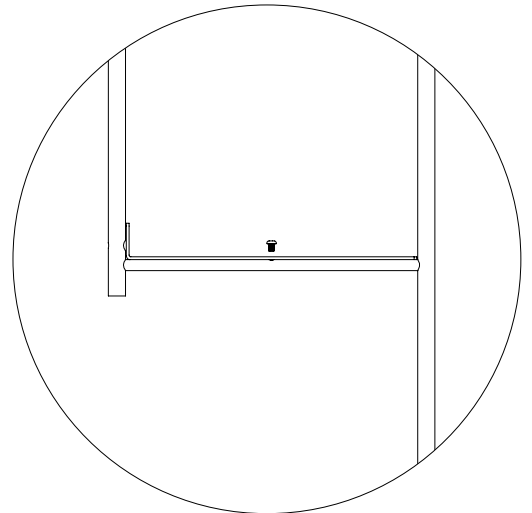
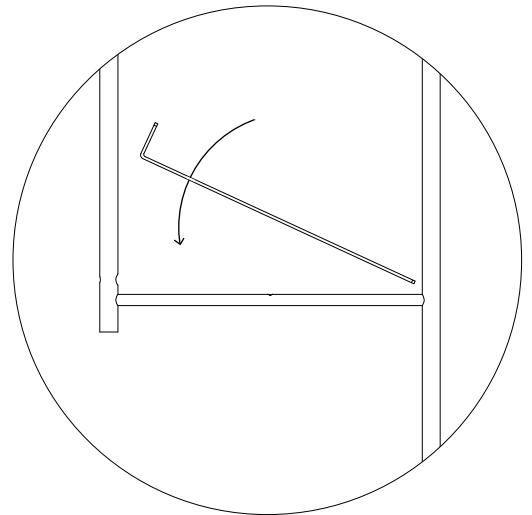
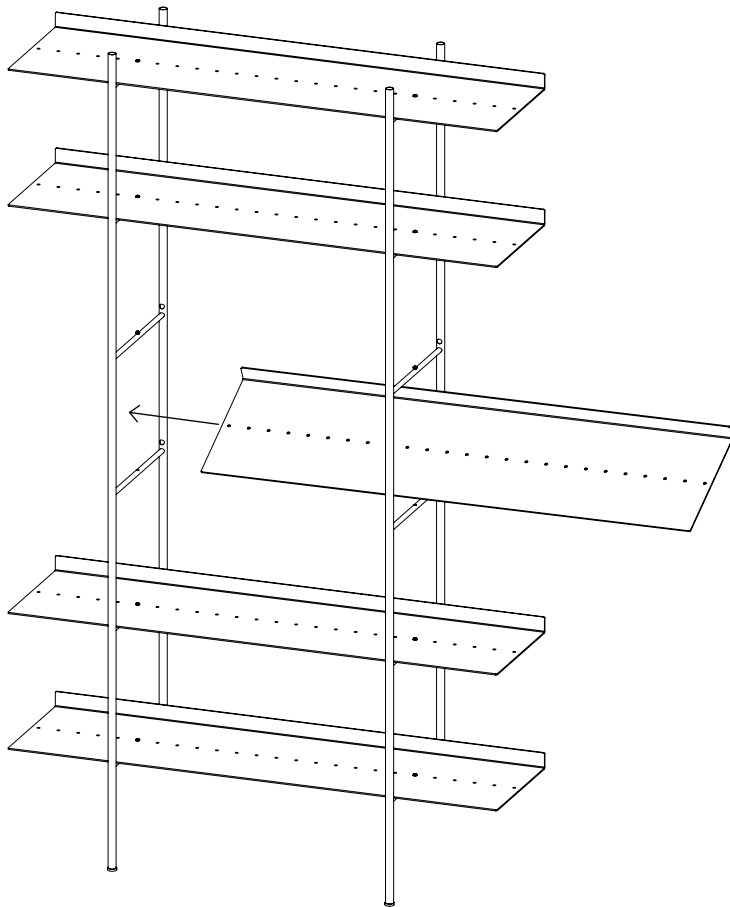
HANDVÄRK

F U R N I T U R E

Phantom Shelving System Large

4

Slide the rest of the shelves onto the ladders and screw to fasten.



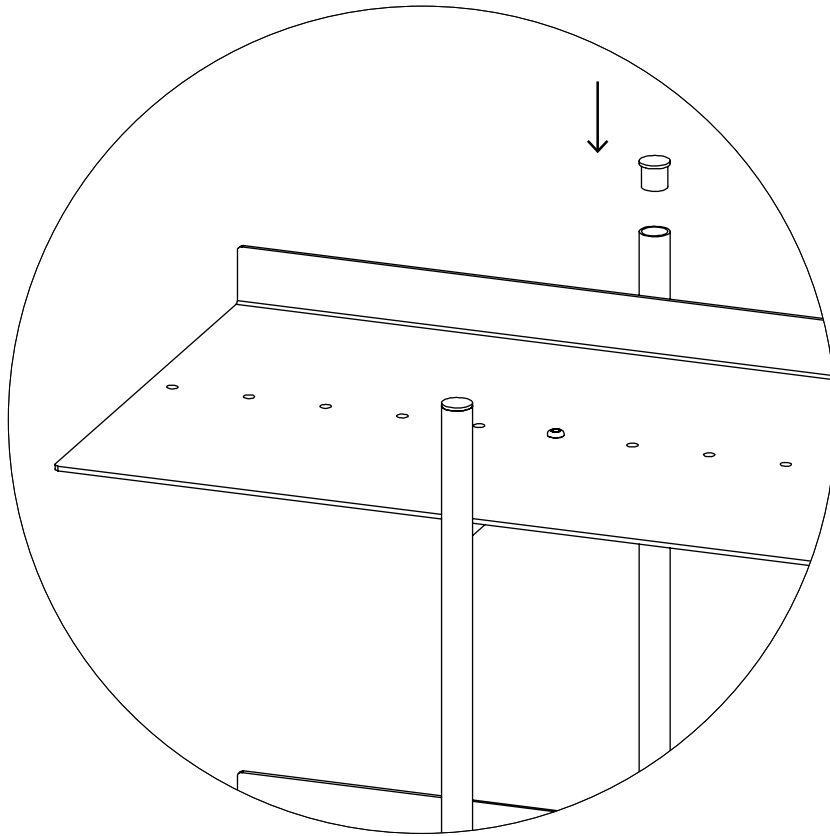
If the shelves aren't level, use the optional washers provided. Place underneath the hole in the shelf and screw to the ladder.

HANDVÄRK

F U R N I T U R E

Phantom Shelving System Large

5



Use the cover plugs provided to cap the end of the ladders.

There will be some leftover parts you have not used.

HANDVÄRK

F U R N I T U R E

HANDVÄRK ApS | Aarhusgade 136A | 2150 Nordhavn | Copenhagen Denmark

info@handvark.com | +45 31 777 943 | www.handvark.com