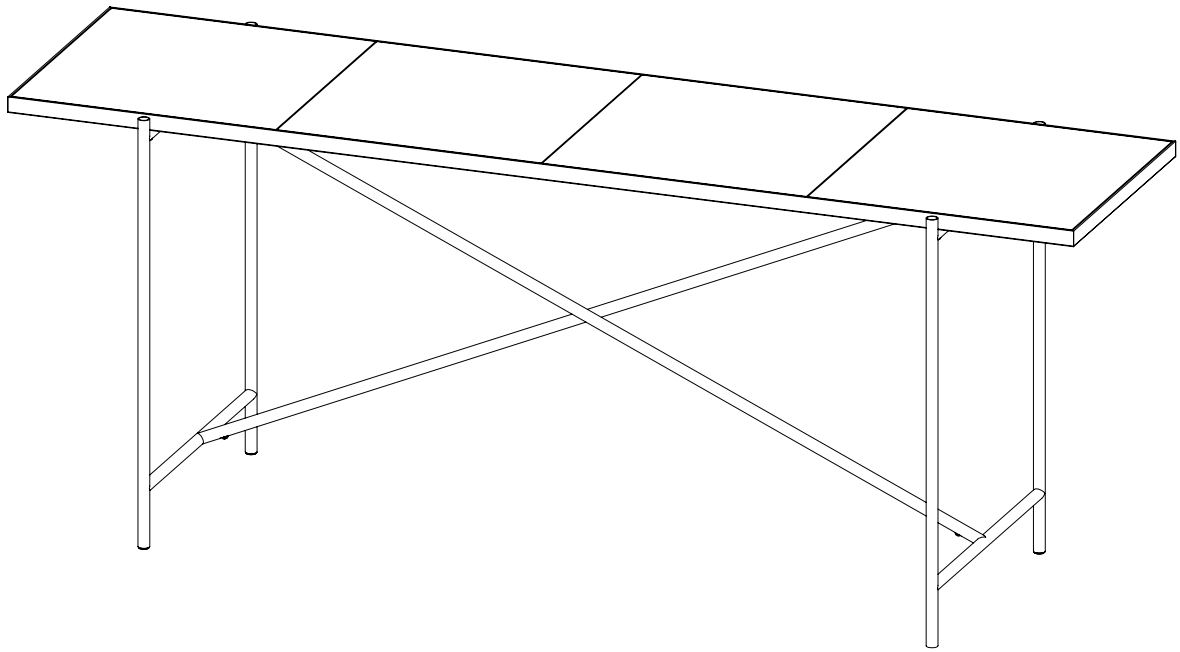


# HANDVÄRK

F U R N I T U R E

---



## Console Assembly Instructions

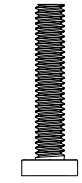
---

# HANDVÄRK

F U R N I T U R E

Console

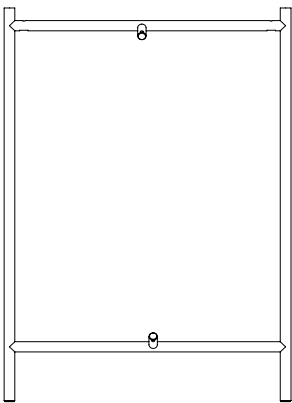
---



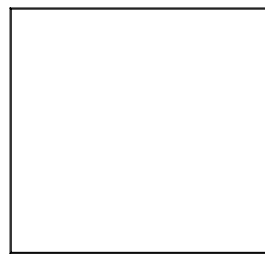
(A) x 5



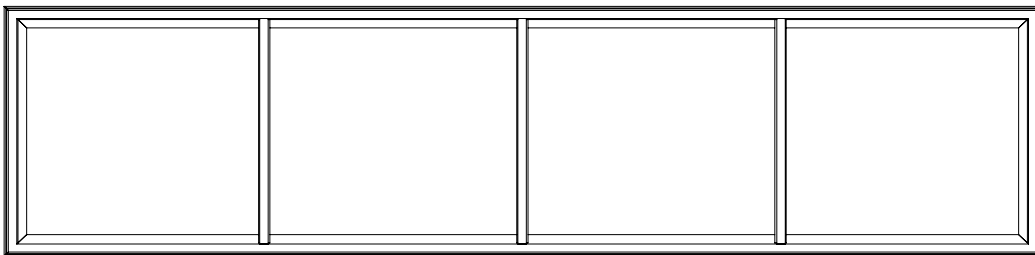
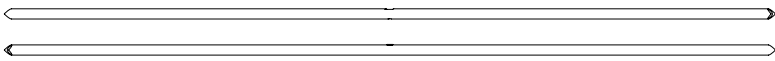
(B) x 4



x 2

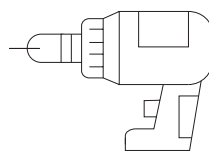


x 4



---

Recommendation



Hand Drill

---

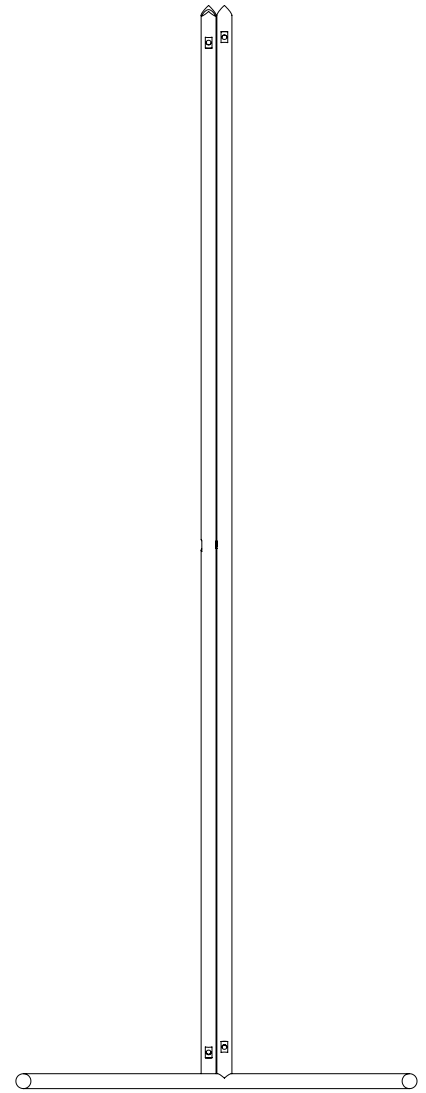
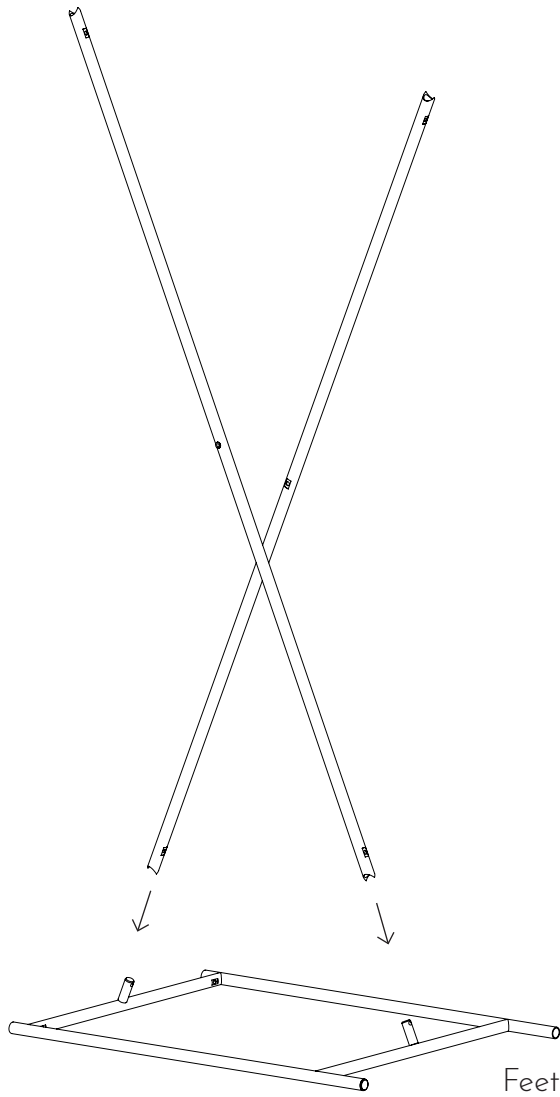
# HANDVÄRK

F U R N I T U R E

Console

---

1



Place the cross bars on the taps so all holes are pointing towards the feet. The bars should not cross over each other.

---

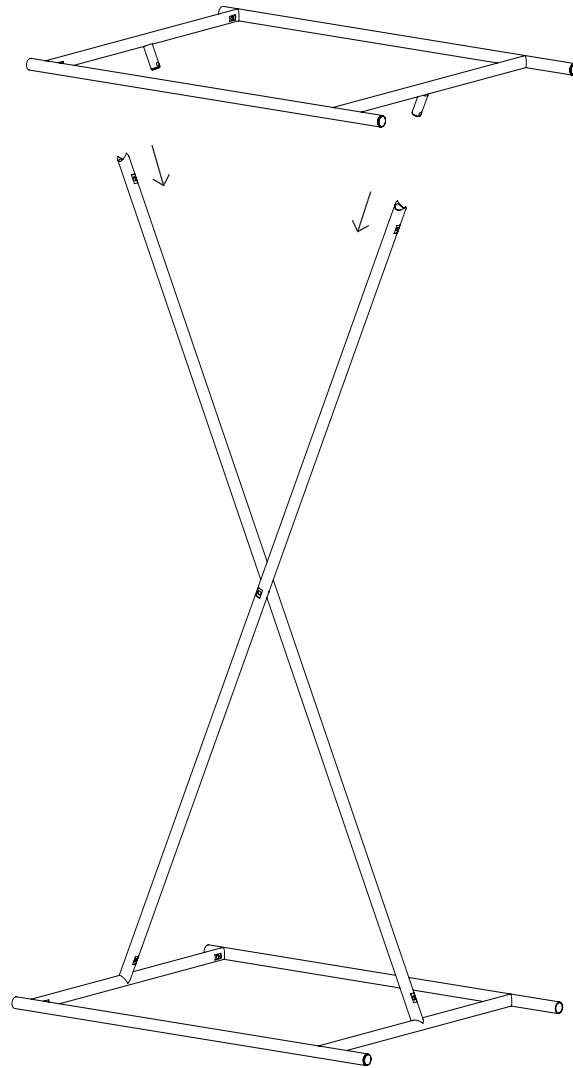
# HANDVÄRK

F U R N I T U R E

Console

---

2



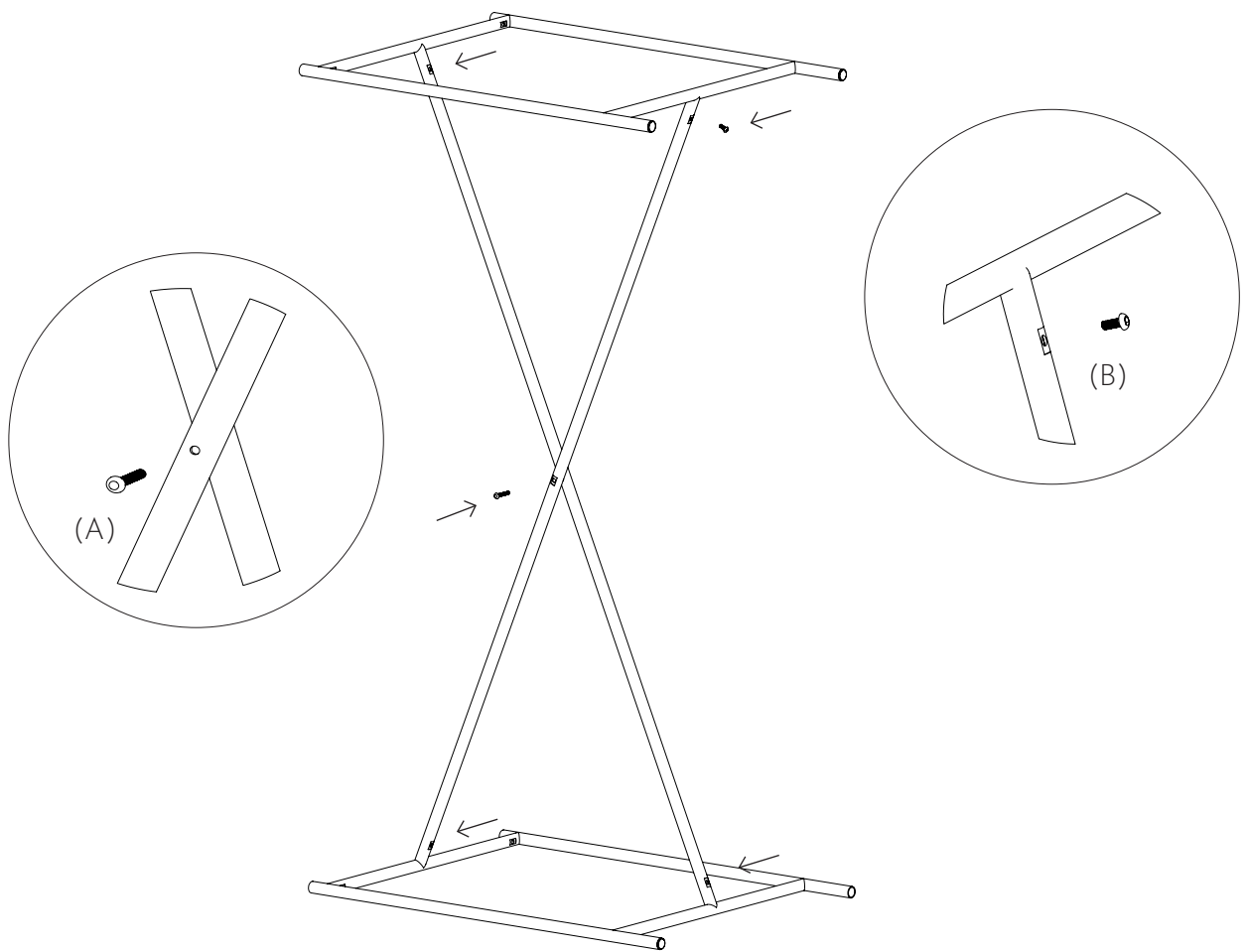
# HANDVÄRK

F U R N I T U R E

Console

---

3



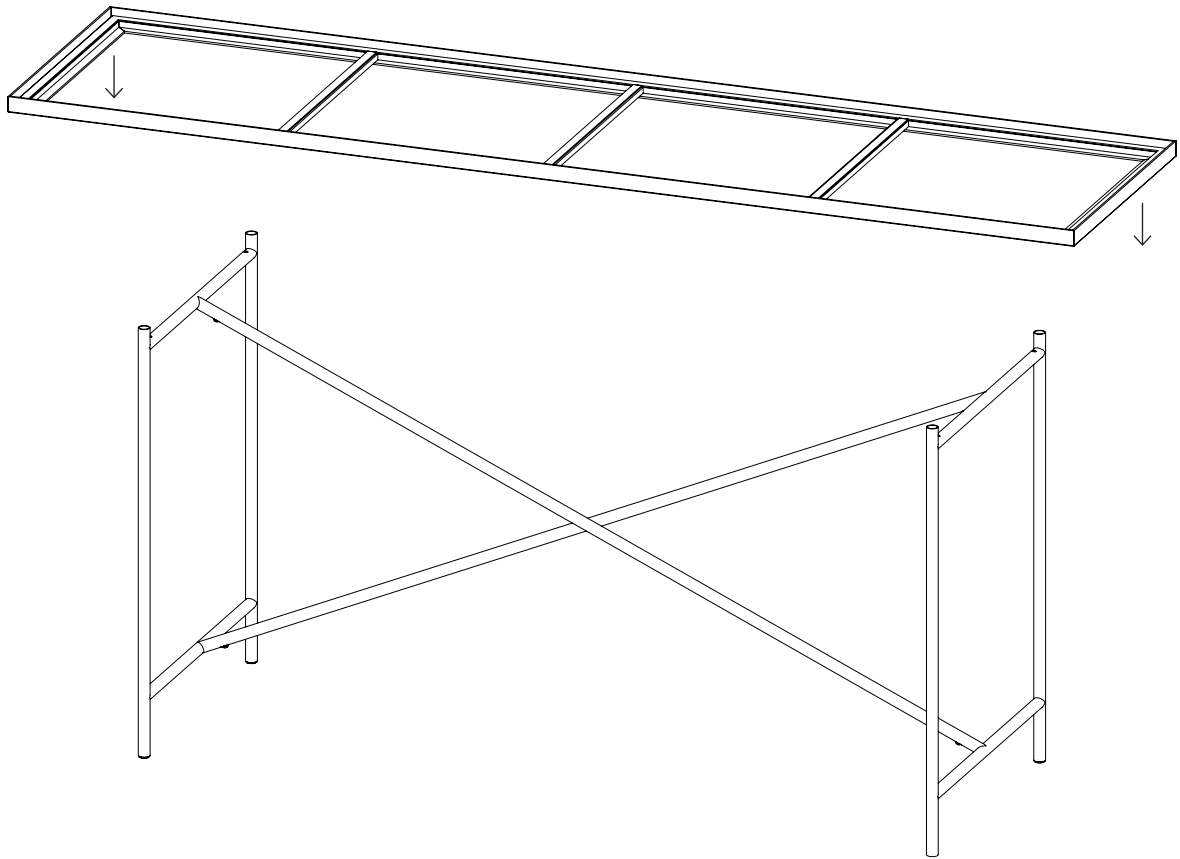
# HANDVÄRK

F U R N I T U R E

Console

---

4



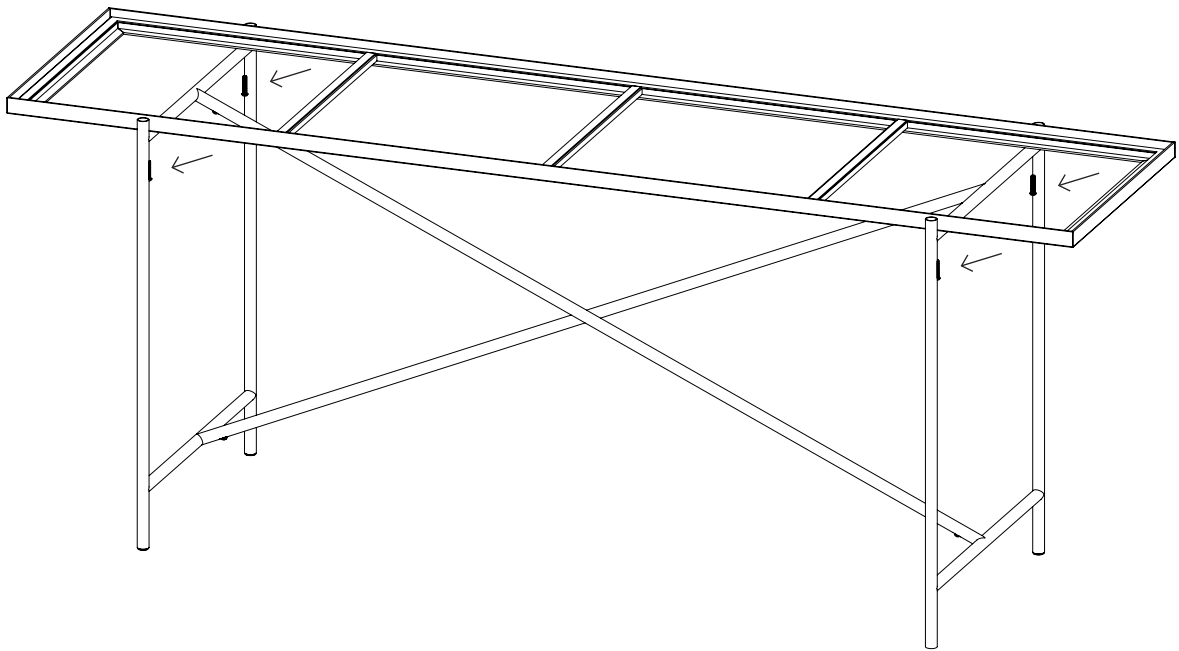
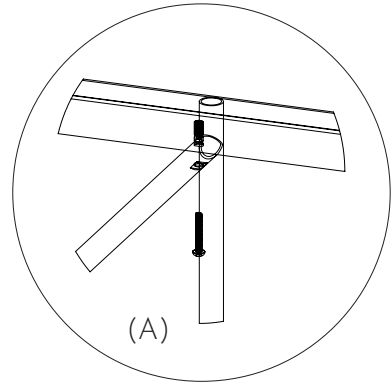
# HANDVÄRK

F U R N I T U R E

Console

---

5



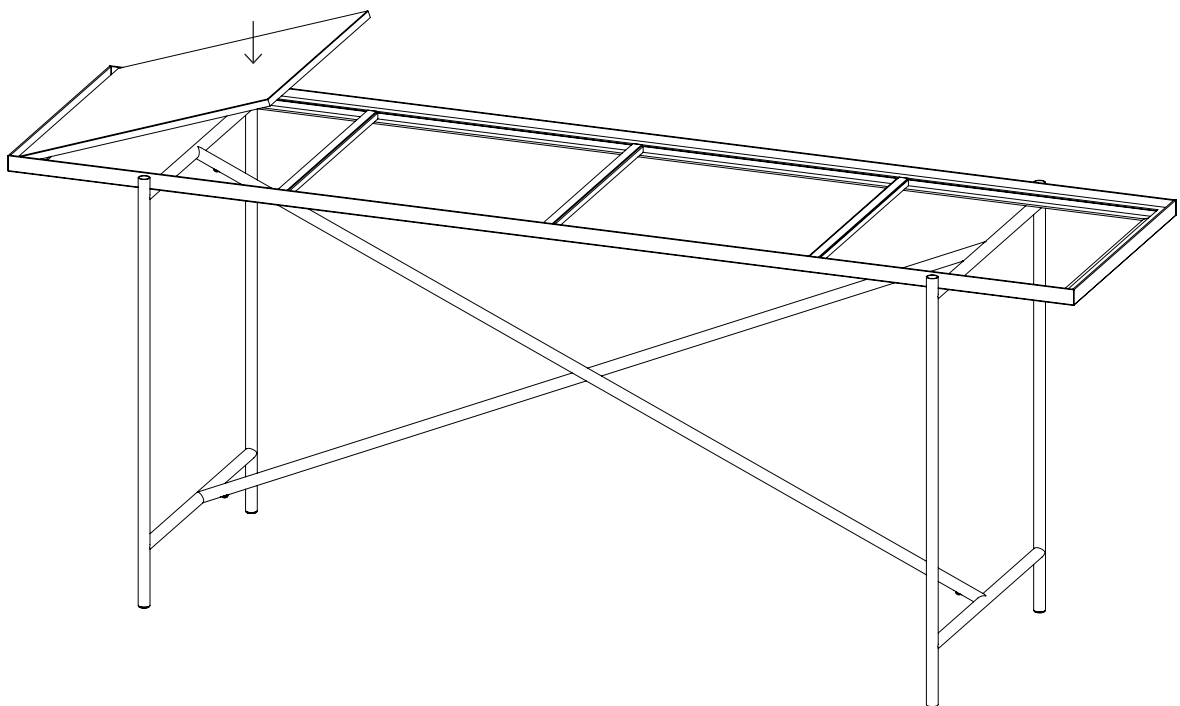
# HANDVÄRK

F U R N I T U R E

Console

---

6





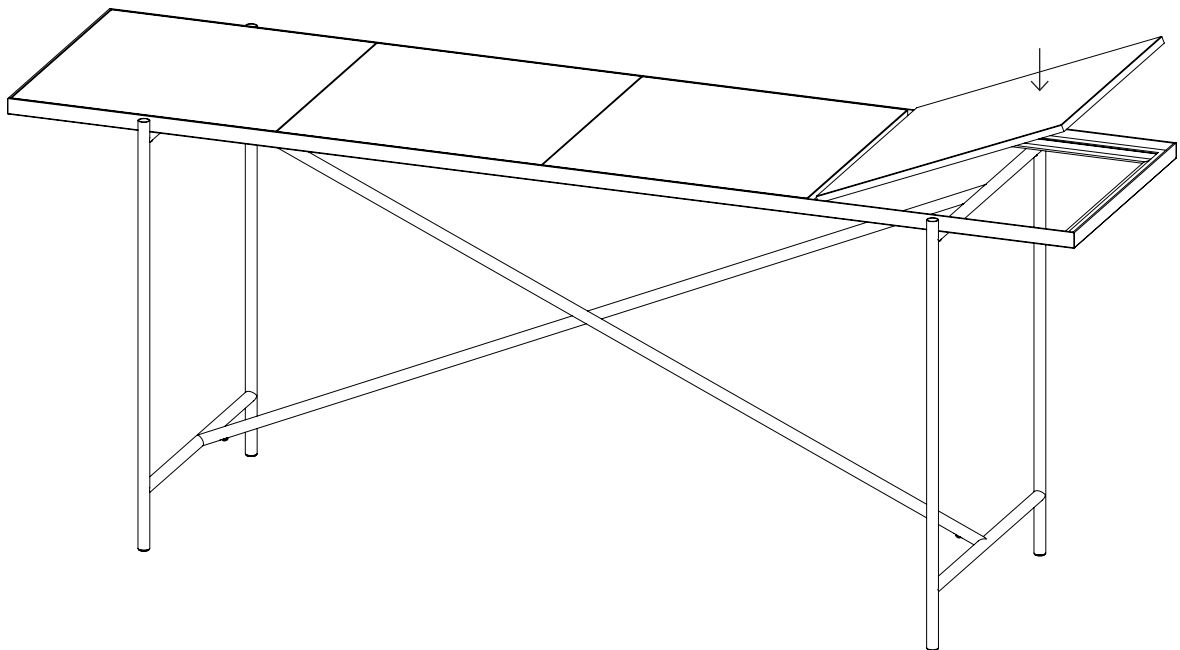
# HANDVÄRK

F U R N I T U R E

Console

---

7



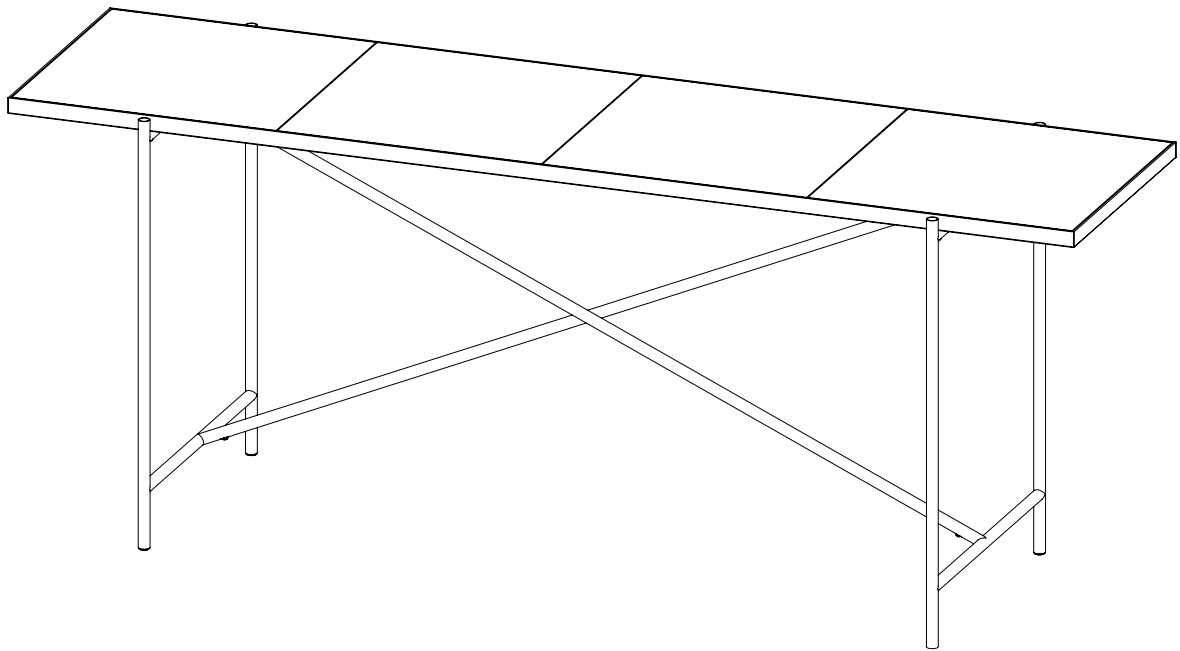
# HANDVÄRK

F U R N I T U R E

Console

---

8



# HANDVÄRK

F U R N I T U R E

HANDVÄRK ApS | Aarhusgade 136A | 2150 Nordhavn | Copenhagen Denmark

[info@handvark.com](mailto:info@handvark.com) | +45 31 777 943 | [www.handvark.com](http://www.handvark.com)