

LU

ASSEMBLY INSTRUCTION

W0UD

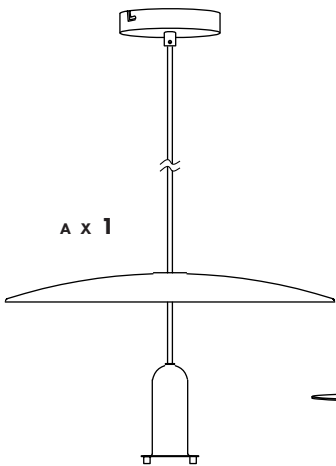
WHEN WE MADE PLANS TO RENOVATE
OUR OWN HOUSE, WE WANTED TO
DESIGN A PENDANT FITTING OUR LIVING
ROOM. INSPIRED BY SCANDINAVIAN
LIGHTING AND OUR LOVE FOR PURE
READABLE LINES, WE HAVE CREATED LU
- WHICH STANDS FOR THE FRENCH WORD
FOR LIGHT 'LUMIÈRE'. IT IS MODEST IN
A FORMAL SETTING AND FUN IN A MORE
VIBRANT ENVIRONMENT. WHATEVER
YOUR PREFERENCE, WE HOPE IT EXUDES
A CONTEMPORARY CHARM IN YOUR
PERSONAL LIFE.

Living A. Diaz
+
Arduynen

BEAVERHAUSEN

ASSEMBLY INSTRUCTION

**PLEASE GO THROUGH THE FOLLOWING
STEPS CAREFULLY. RETAIN THIS MANUAL
FOR FUTURE REFERENCE TO ENSURE THAT
YOUR NEW ITEM IS CORRECTLY ASSEMBLED
IN CASE IT SHOULD BE DISASSEMBLED OR
MOVED. WE ARE NOT RESPONSIBLE FOR
ANY FAULTS OR DAMAGES CAUSED BY
NOT FOLLOWING THESE INSTRUCTIONS
CORRECTLY.**



A X 1



NOT
INCLUDED



B X 1



C X 1



D X 1



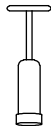
E X 1



F X 2



G X 1



H X 1



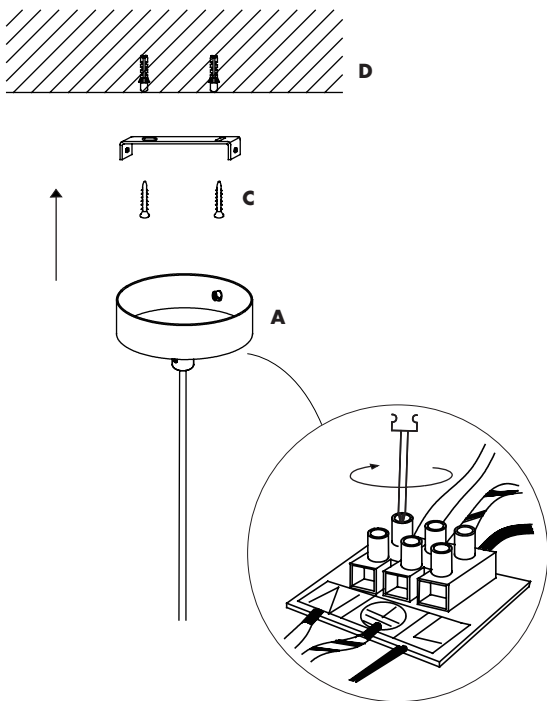
I X 2



J X 2

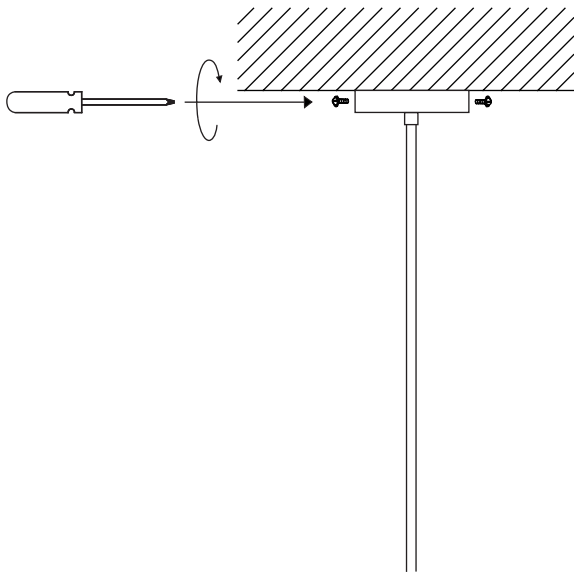
STEP 1

DECIDE THE LENGTH OF THE CORD AND MOUNT THE CEILING ROSE BRACKET USING THE WALL PLUGS AND SCREWS.



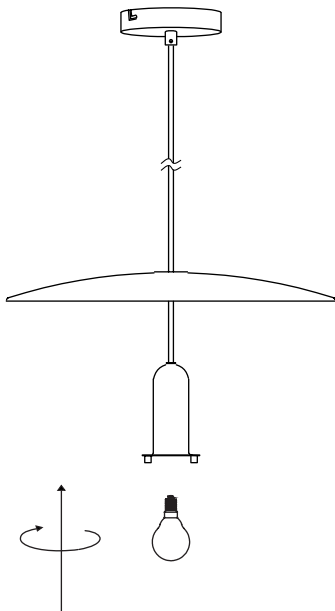
STEP 2

MOUNT THE CEILING ROSE TO THE BRACKET
USING THE SMALL SCREW BOLTS.



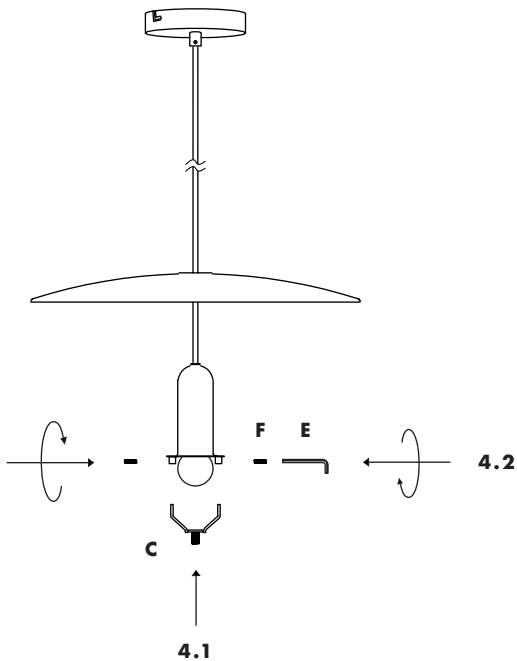
STEP 3

INSERT A SUITABLE LIGHT BULB
NOTICE THE SIZE OF THE BULB



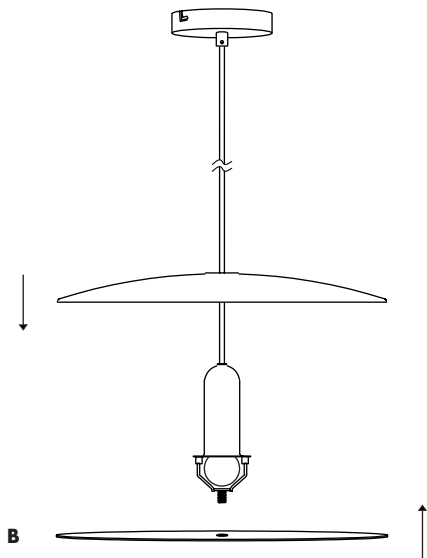
STEP 4

PLACE THE METAL BRACKET OVER THE BULB AND MOUNT IT USING THE SMALL SCREW BOLTS AND HEX KEY



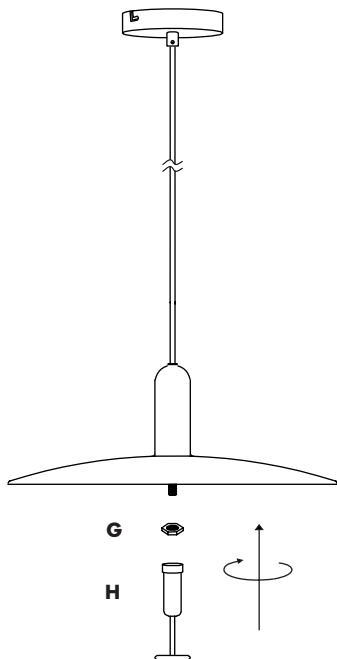
STEP 5

PLACE THE PLASTIC DIFFUSER ON THE METAL BRACKET



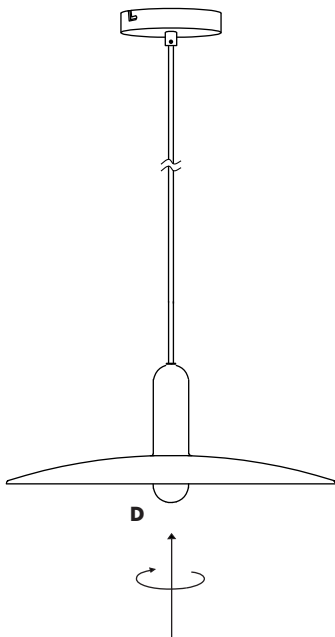
STEP 6

MOUNT THE DIFFUSER USING THE METAL NUT AND TOOL



STEP 7

MOUNT THE METAL GLOBE



SAFETY INSTRUCTIONS



IF THE EXTERNAL FLEXIBLE CABLE OR CORD OF THIS LUMINAIRE IS DAMAGED, IT SHALL BE EXCLUSIVELY REPLACED BY THE MANUFACTURER OR SIMILAR QUALIFIED PERSON IN ORDER TO AVOID A HAZARD.

THE LAMP IS ONLY INTENDED FOR INTERIOR USE.

LAMP EXTERIOR CAN GET HOT AFTER PROLONGED USE.

ENSURE BULB HAS FULLY COOLED BEFORE ATTEMPTING TO REMOVE IT.

PROTECT FROM CONTACT WITH LIQUIDS.

DO NOT PLACE THE CABLE IN REACH OF SMALL CHILDREN OR ANYWHERE THERE IS A RISK OF FALLING OVER IT.

WARNING: MUST BE INSTALLED BY A LICENCED ELECTRICIAN.

DESIGNED BY
BEAVERHAUSEN