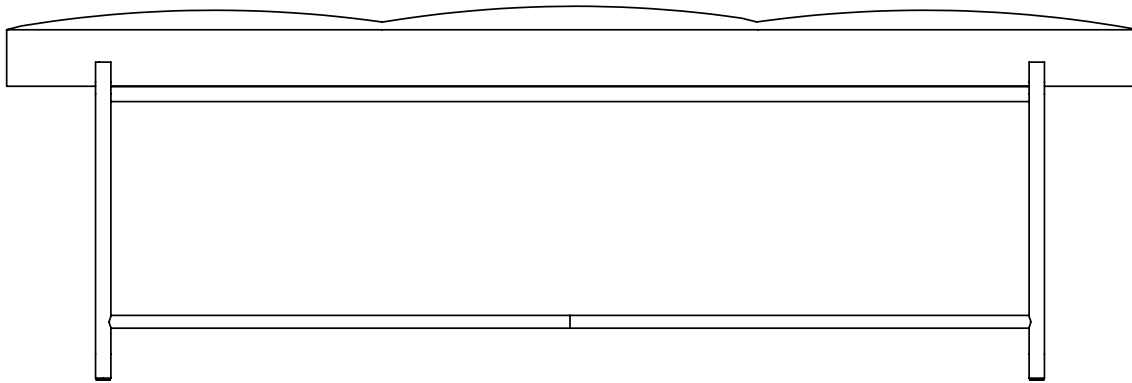


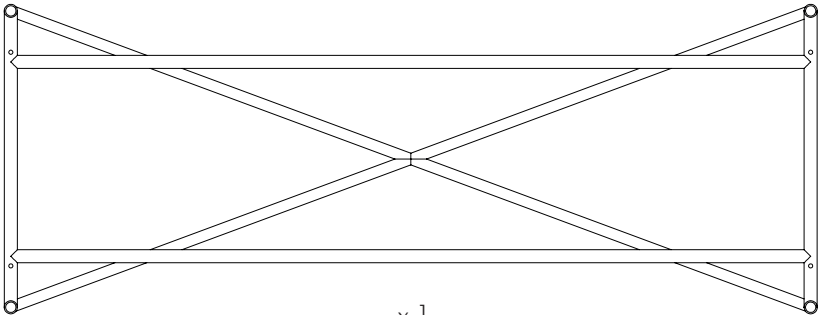
HANDVÄRK



Grand Bench
Assembly Instructions

HANDVÄRK

Grand Bench



x 1



x 4



x 1

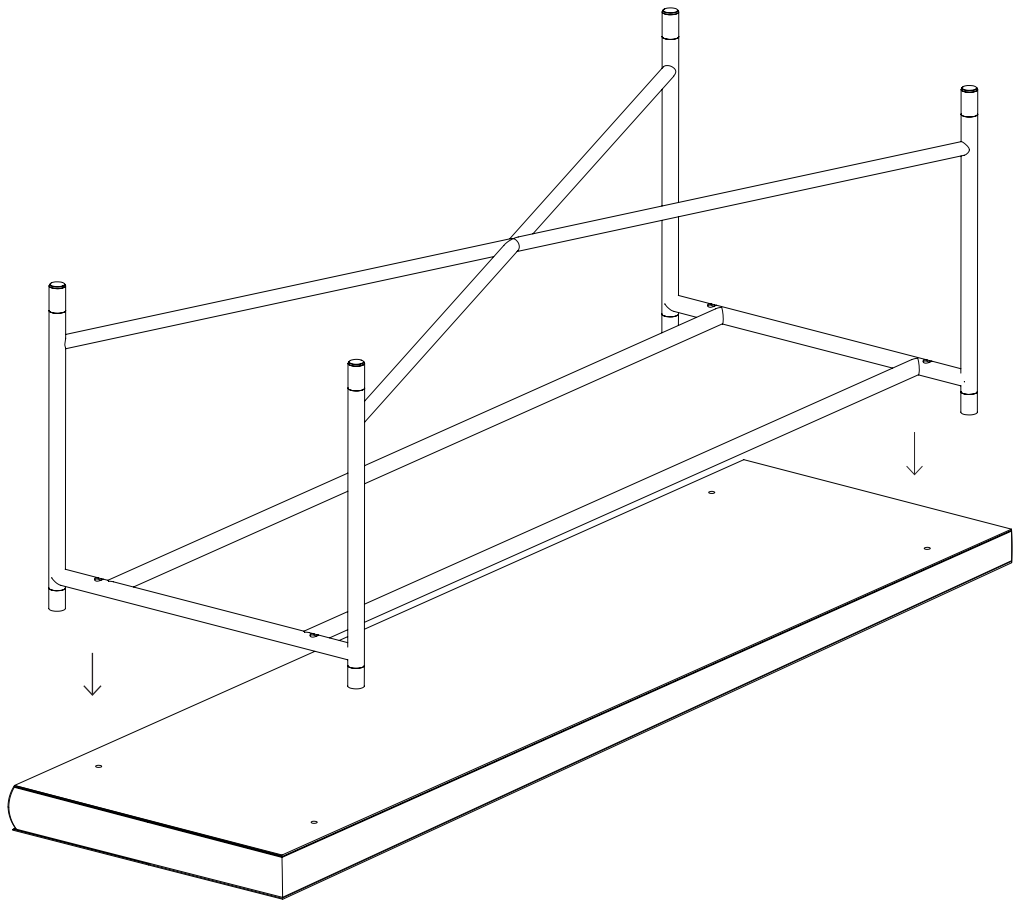


x 1

HANDVÄRK

Grand Bench

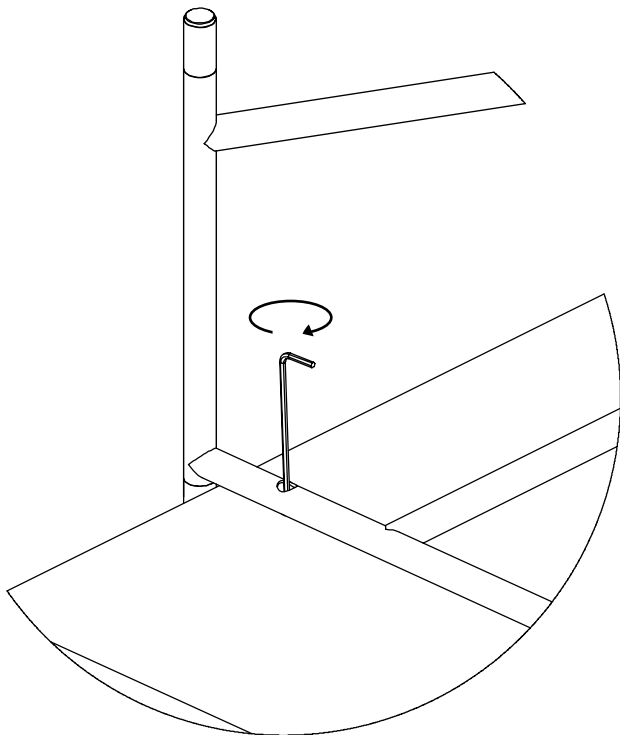
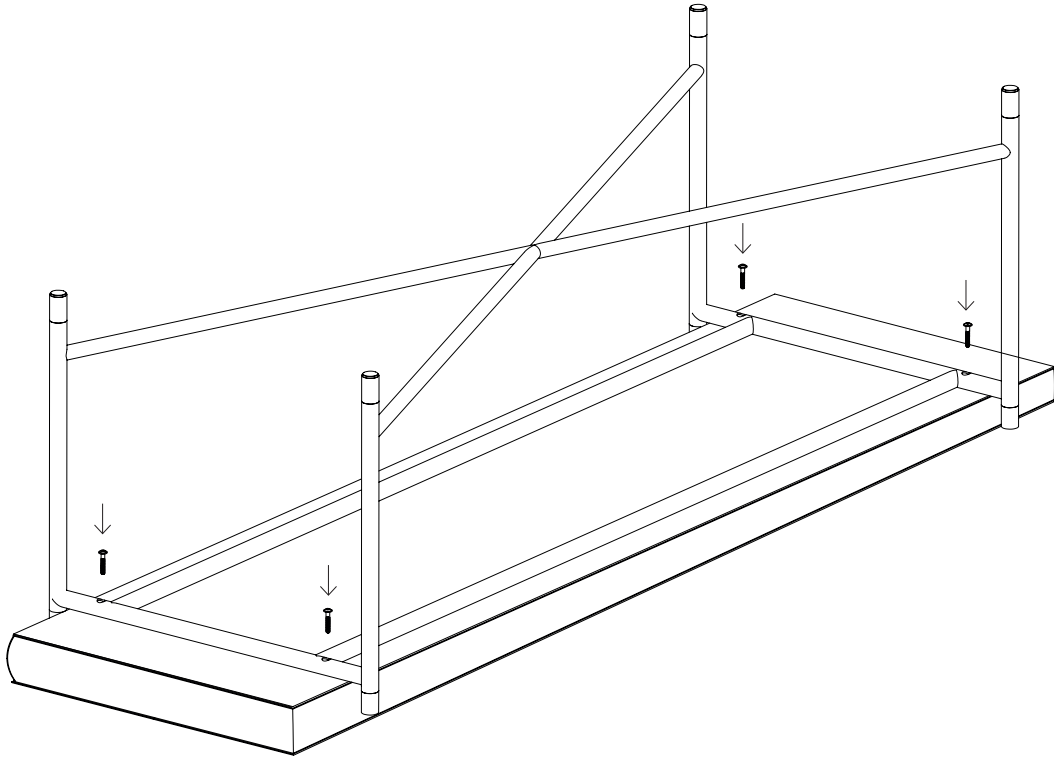
1



HANDVÄRK

Grand Bench

2



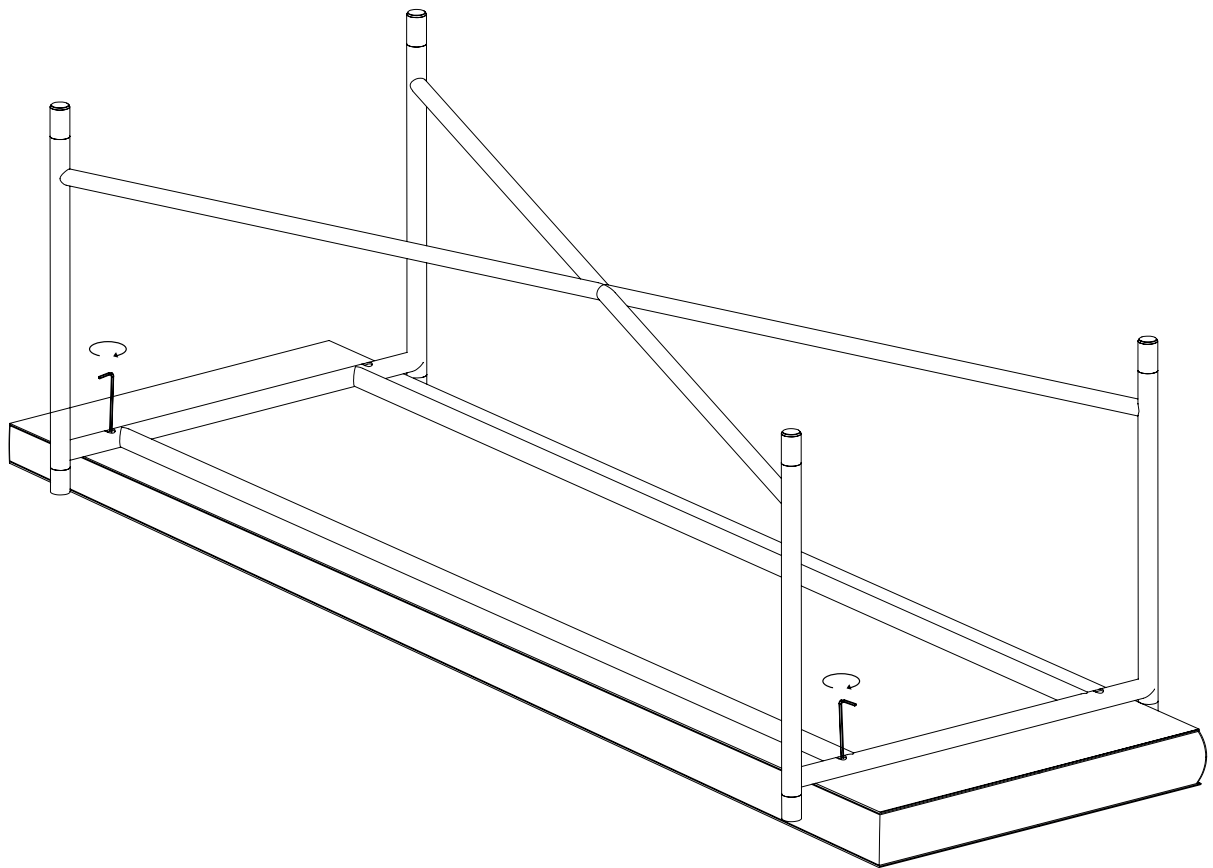
Using the hex key only, turn each screw slightly into the thread so it is secure. Do not screw tightly until all screws are placed in the holes.

HANDVÄRK

Grand Bench

3

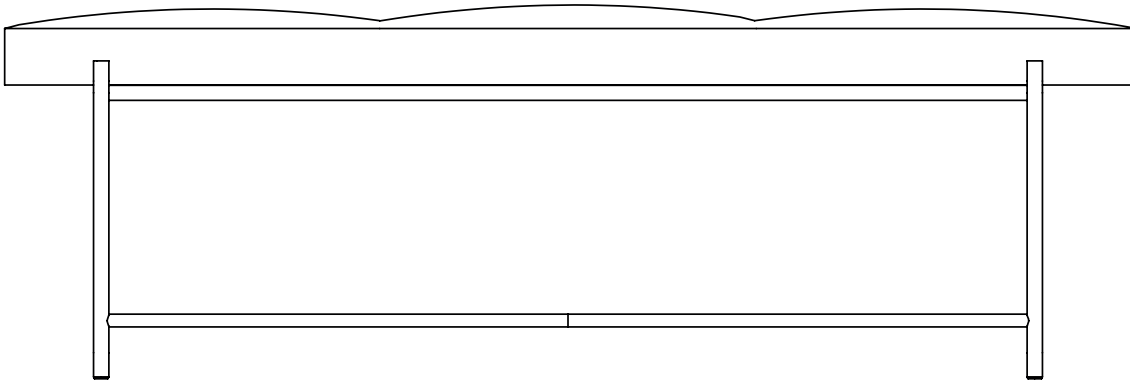
Tighten screws using the hex key after they have all been placed in the frame.



HANDVÄRK

Grand Bench

4



HANDVÄRK

HANDVÄRK ApS | Aarhusgade 136A | 2150 Nordhavn | Copenhagen Denmark
info@handvark.com | +45 31 777 943 | www.handvark.com