

# TREE CONSOLE

ASSEMBLY INSTRUCTION

W0UD

THE IDEA OF THE TREE TABLES CAME  
UP DURING A WALK IN THE FOREST  
AROUND PARIS. I WAS SEIZED BY THE  
LIGHTNESS OF THE TREES AND I  
WANTED TO REPRODUCE THIS  
PHENOMENON. I THEN THOUGHT OF  
A TABLE WHOSE TOP BOARD WOULD  
FUNCTION LIKE THE CANOPY OF  
TREES ALL THE WHILE BEING  
SUPPORTED BY A BUNDLE OF STEMS.  
HOPE YOU WILL ENJOY YOUR TABLE  
FOR MANY YEARS TO COME.

A large, stylized handwritten signature in black ink, appearing to read 'Elisabeth Herzfeld'. The signature is fluid and expressive, with long, sweeping strokes and some overlapping letters.

ELISABETH HERZFELD

**TAKE CARE**

**WE HAVE NOW HANDED OVER  
ONE OF OUR DARLINGS TO YOU.  
NOW IT IS YOURS. TAKE GOOD  
CARE OF IT. YOU CAN READ THE  
CARE INSTRUCTIONS FOR ALL  
OUR MATERIALS AT OUR WEBSITE.**

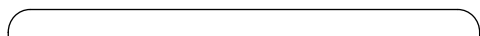
**[WOU.DK/TAKECARE](http://WOU.DK/TAKECARE)**

# **ASSEMBLY INSTRUCTION**

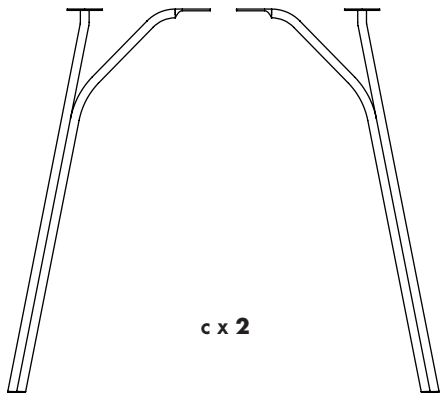
**PLEASE GO THROUGH THE FOLLOWING  
STEPS CAREFULLY. RETAIN THIS MANUAL  
FOR FUTURE REFERENCE TO ENSURE THAT  
YOUR NEW ITEM IS CORRECTLY ASSEMBLED  
IN CASE IT SHOULD BE DISASSEMBLED OR  
MOVED. WE ARE NOT RESPONSIBLE FOR  
ANY FAULTS OR DAMAGES CAUSED BY  
NOT FOLLOWING THESE INSTRUCTIONS  
CORRECTLY.**



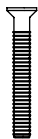
**A X 1**



**B X 1**



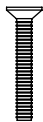
**C X 2**



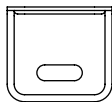
**D X 3**



**E X 3**



**F X 10**



**G X 2**



**H X 4**

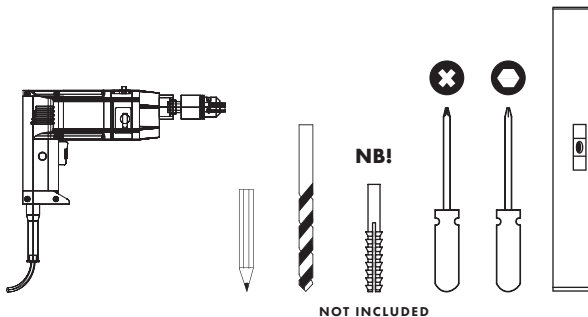
# TOOLS NEEDED

**IMPORTANT!**

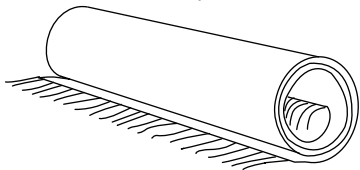
**USE TOOLS SUITABLE FOR SCREWS.**

**BE CAREFUL WHEN PLACING THE PRODUCT ON THE FLOOR WE RECOMMEND TO PUT A RUG DOWN FIRST.**

**USE WALL PLUGS AND DRILLS SUITABLE FOR YOUR WALL. BE CAREFUL WITH THIN/PLASTER/DRY WALLS AND SOLID CONCRETE WALLS. IN CASE OF DOUBT, WE RECOMMEND THAT YOU ASK A PROFESSIONAL.**

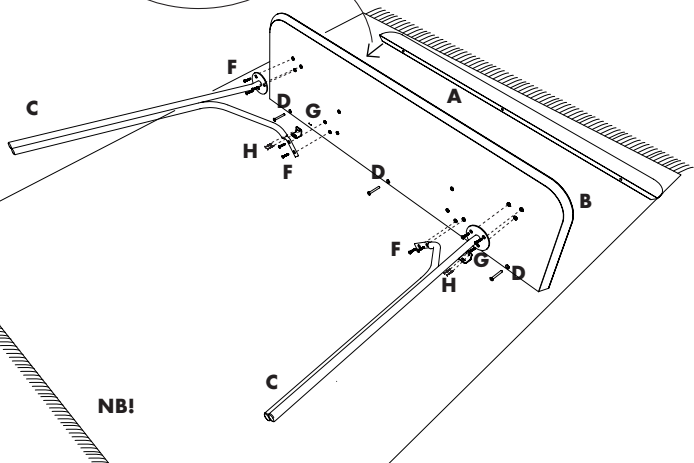
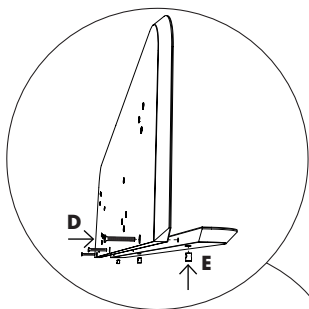


**NB!**



# STEP 1

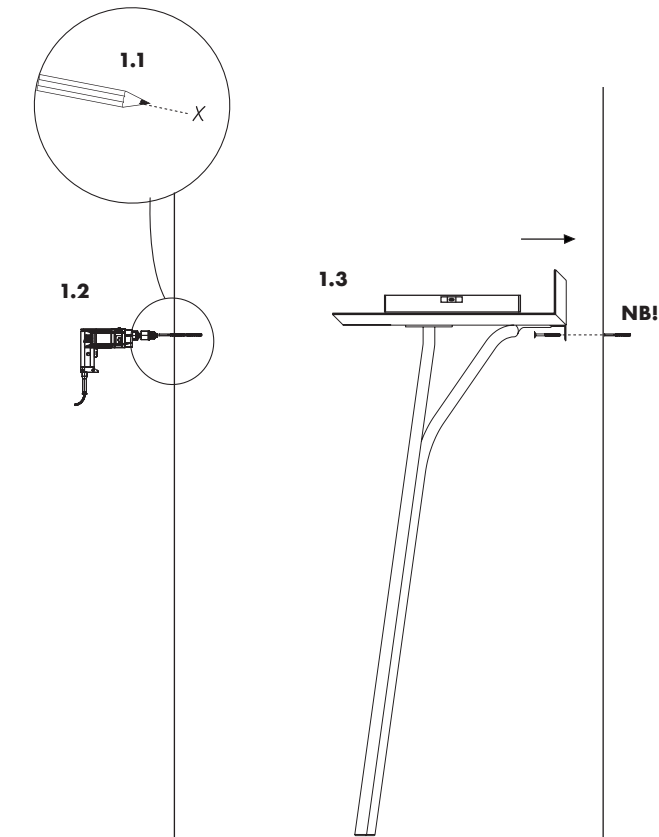
PLACE THE TABLE TOP (A+B) ON A RUG AND ASSEMBLE THE LEGS (C) WITH SCREWS (F). ATTACH THE TWO WALL BRACKET (G) UNDER THE TABLE TOP WITH SCREWS (H). USE ONLY HAND SCREW DRIVER!





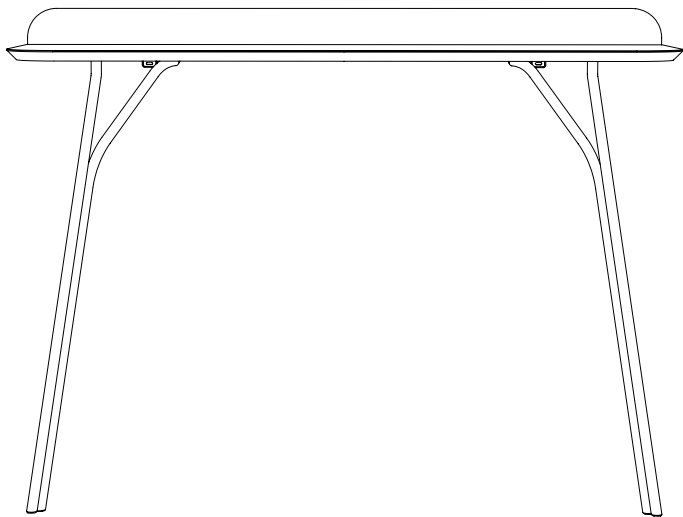
## STEP 2

MARK THE HOLES WITH A PENCIL. MAKE SURE TO CHECK THE LEVEL BEFORE MARKING THE SPOTS. DRILL HOLES IN THE WALL AT THE MARKED SPOTS AND ADD THE PLUGS. THEN PLACE THE TABLE AGAINST THE WALL AND SCREW THE TABLE TO THE WALL



## STEP 3

NOW YOU JUST NEED TO PLACE YOUR FAVORITE ITEMS  
ON THE TABLE AND ENJOY.



DESIGNED BY  
**ELISABETH HERTZFELD**