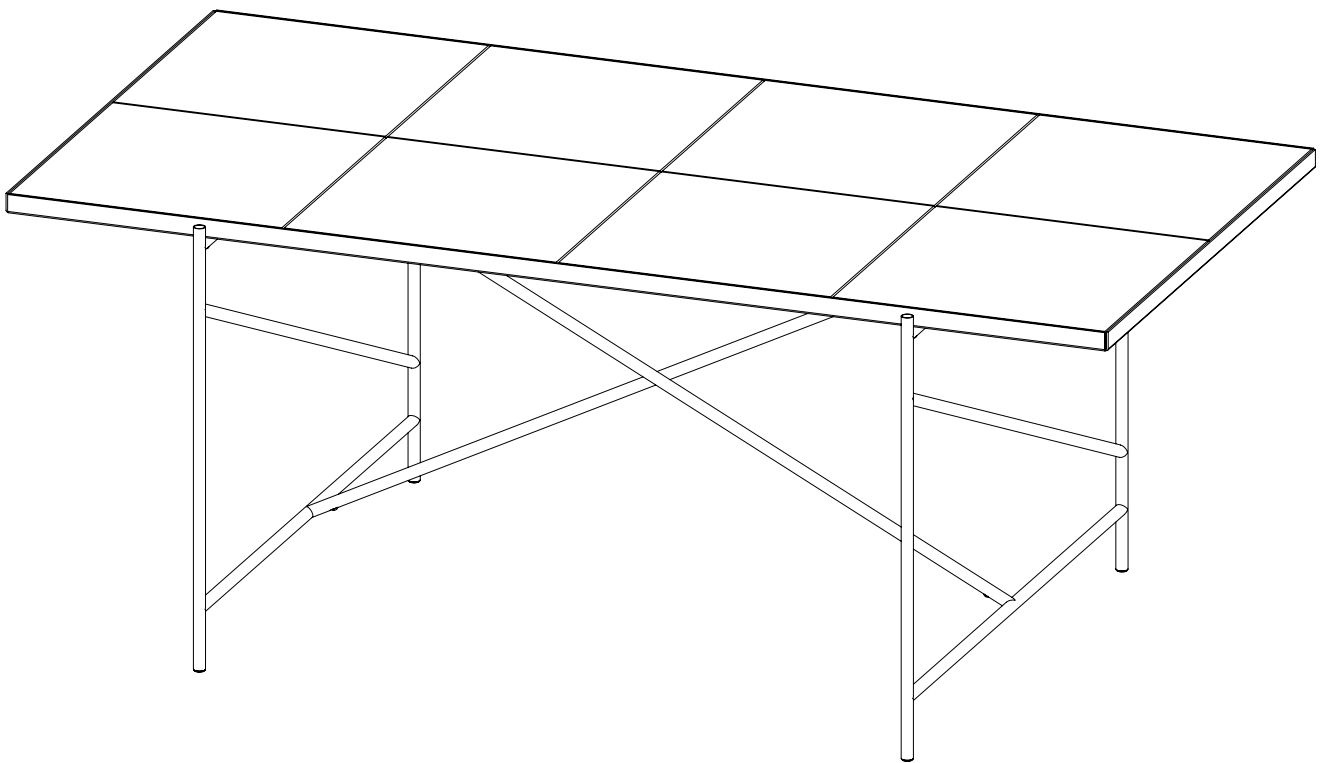


HANDVÄRK

F U R N I T U R E

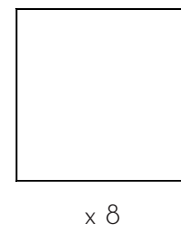
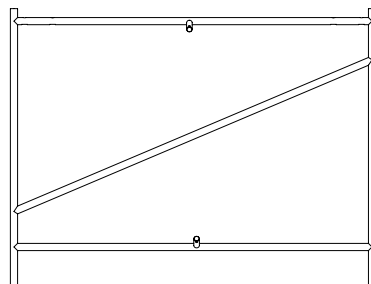
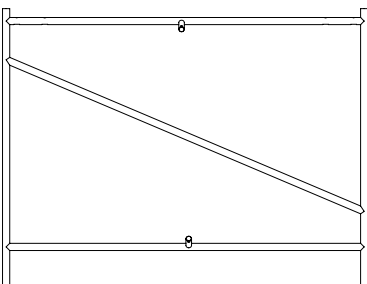
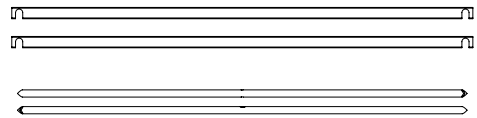
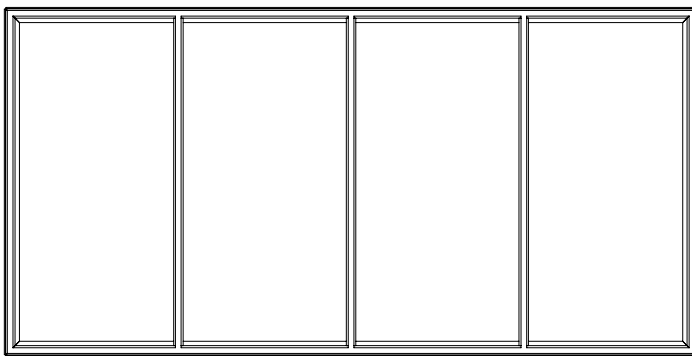
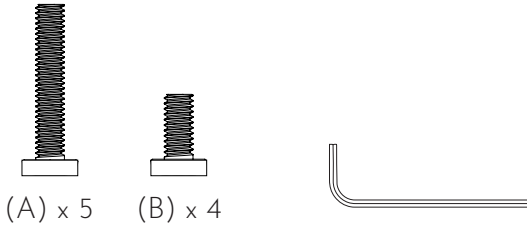


Dining Table 185 Assembly Instructions

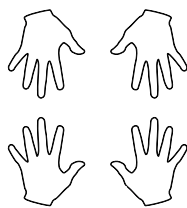
HANDVÄRK

F U R N I T U R E

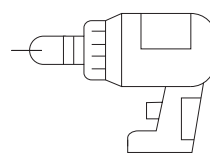
Dining Table 185



Recommendation



2 People



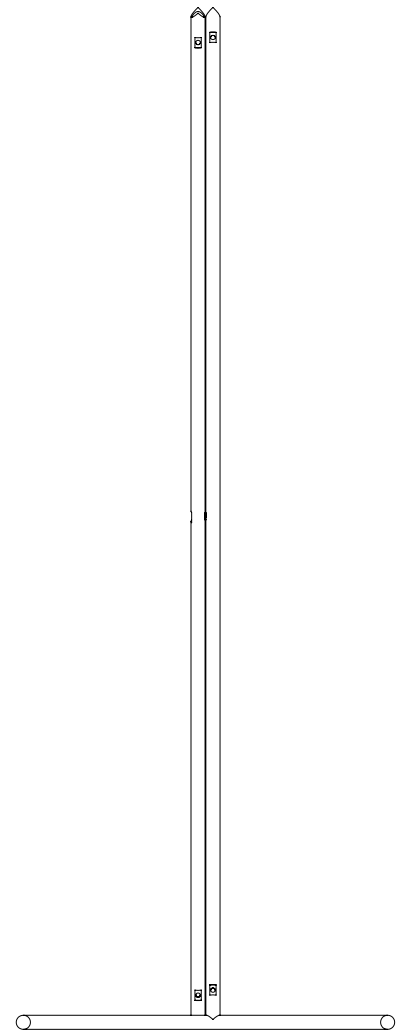
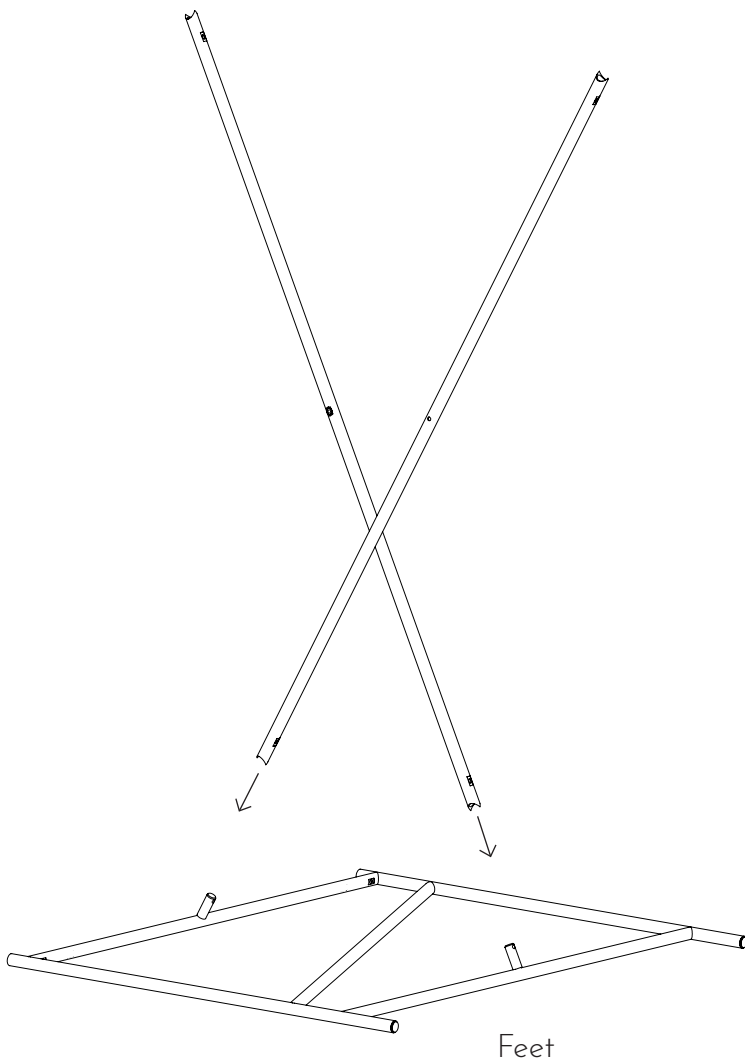
Hand Drill

HANDVÄRK

F U R N I T U R E

Dining Table 185

1



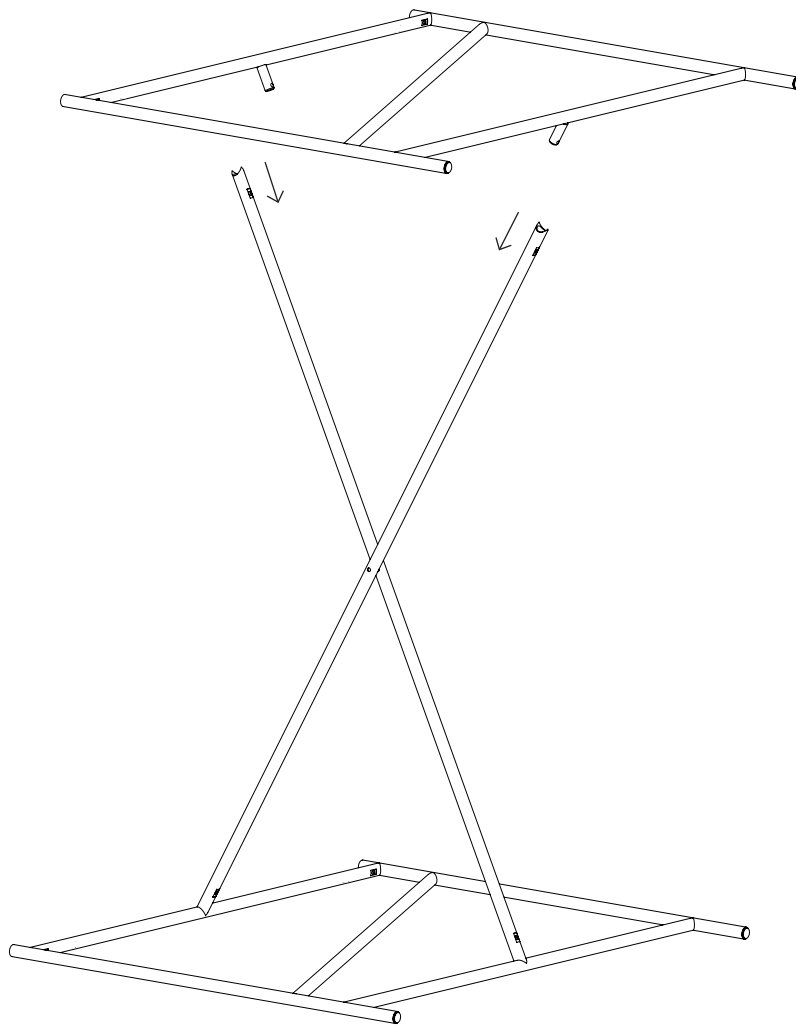
Place the cross bars on the taps so all holes are pointing towards the feet. The bars should not cross over each other.

HANDVÄRK

F U R N I T U R E

Dining Table 185

2

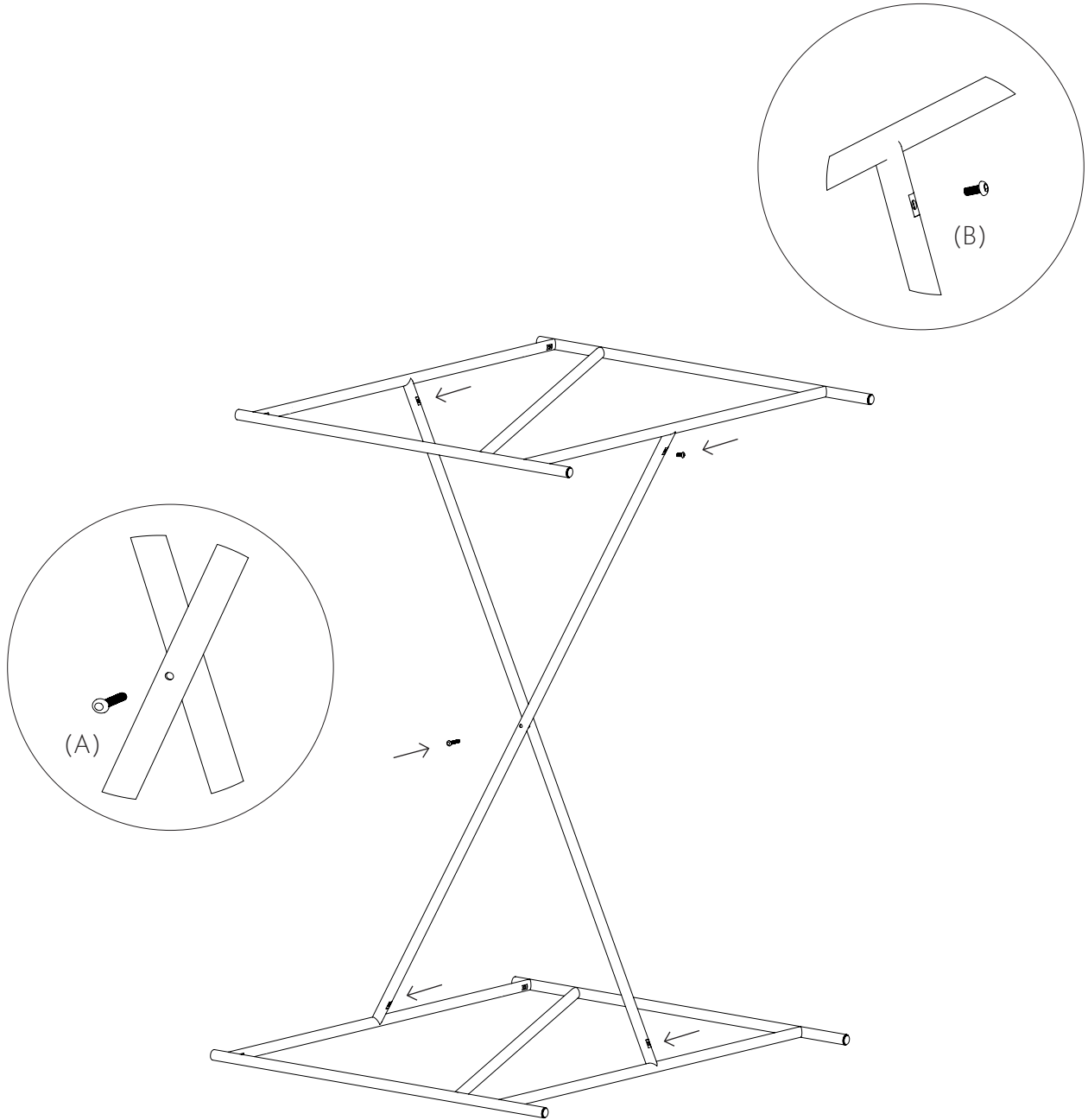


HANDVÄRK

F U R N I T U R E

Dining Table 185

3

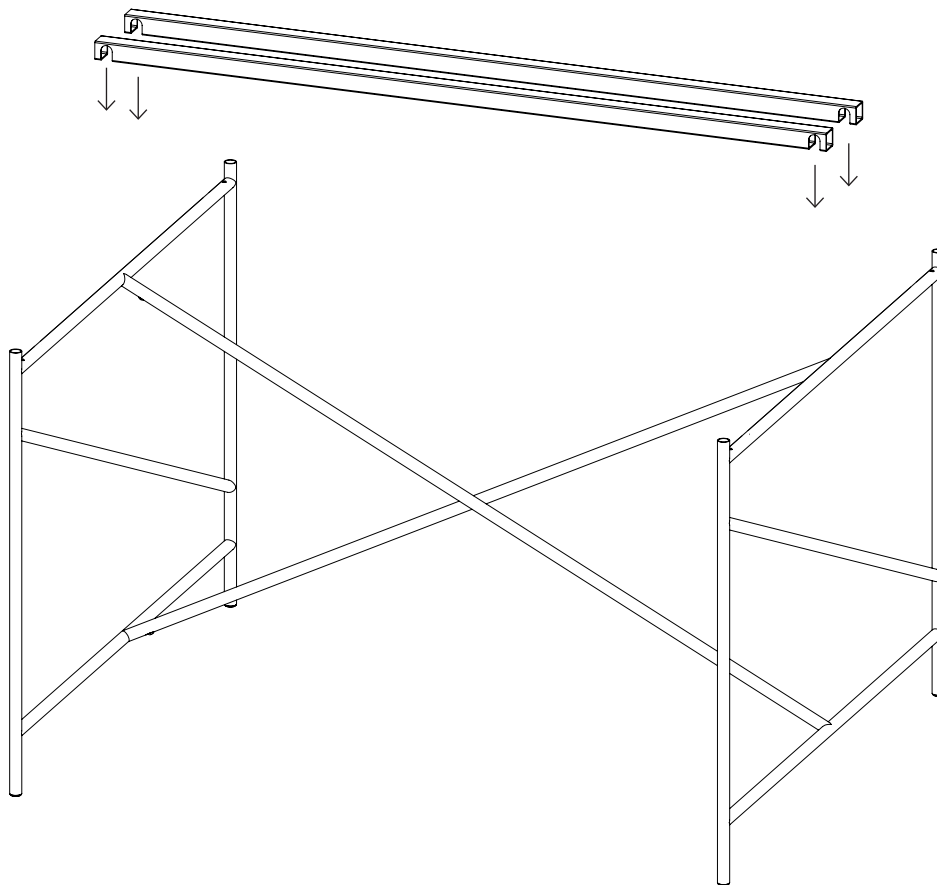
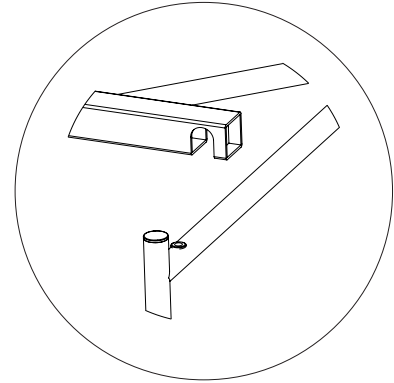


HANDVÄRK

F U R N I T U R E

Dining Table 185

4

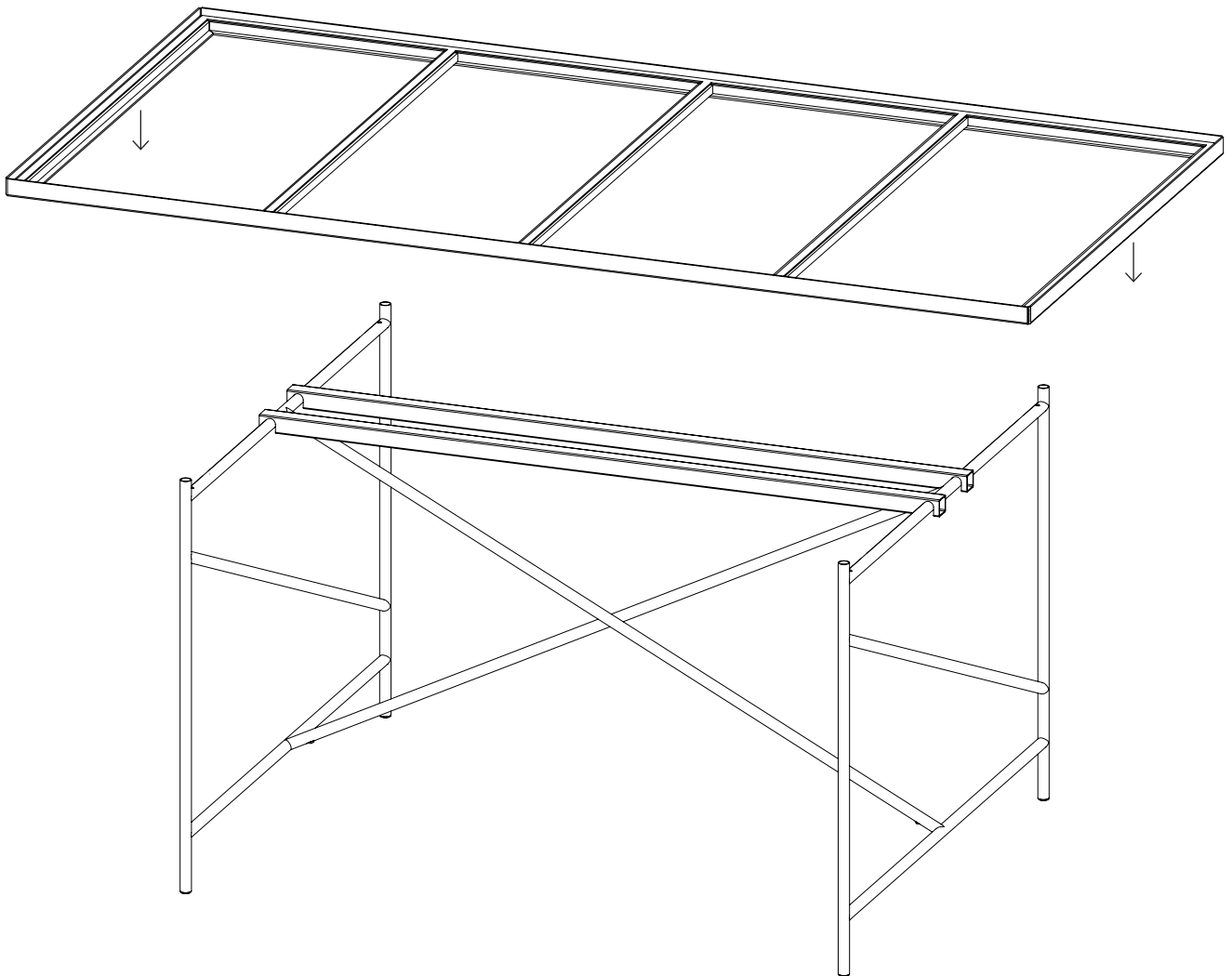


HANDVÄRK

F U R N I T U R E

Dining Table 185

5

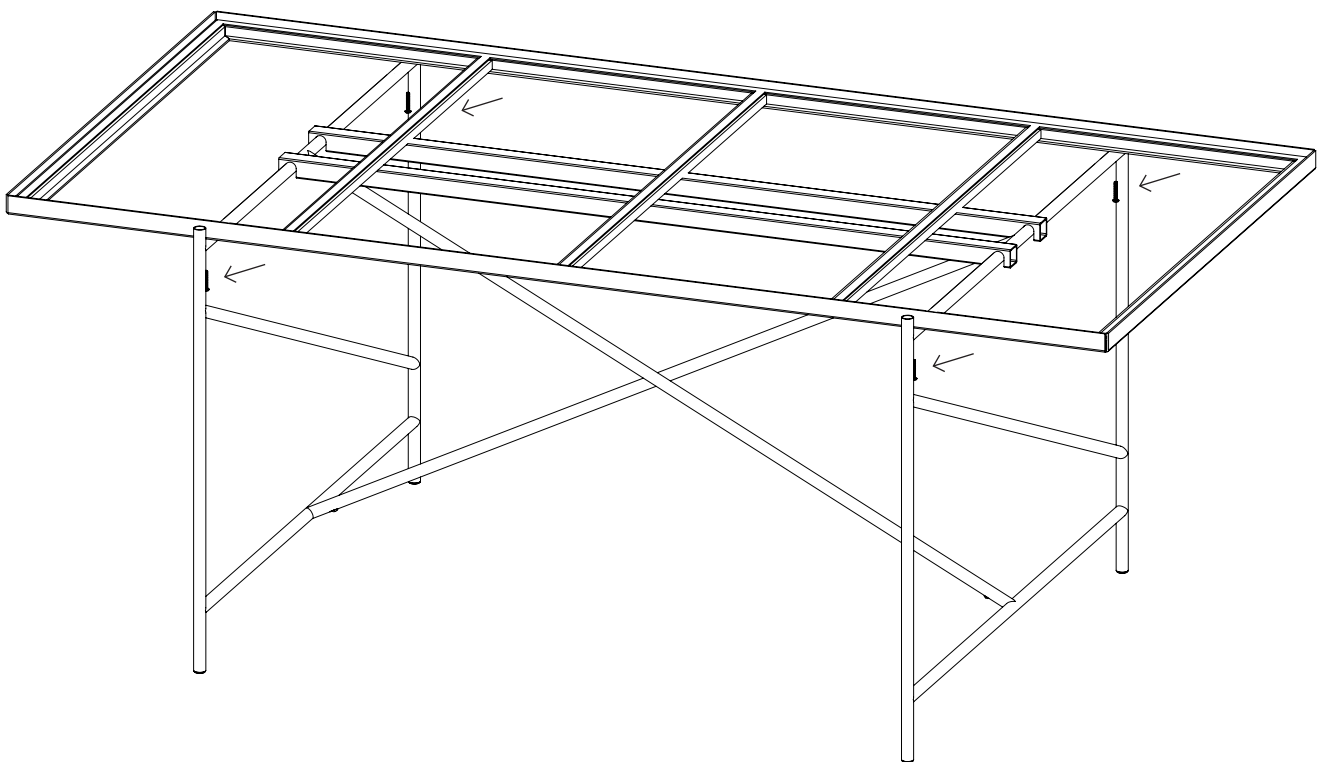
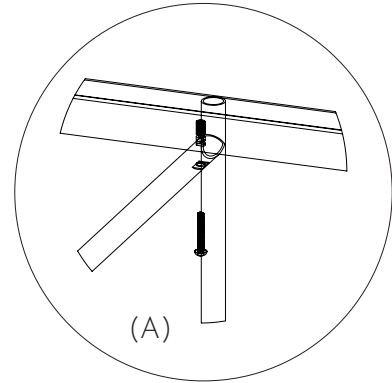


HANDVÄRK

F U R N I T U R E

Dining Table 185

6



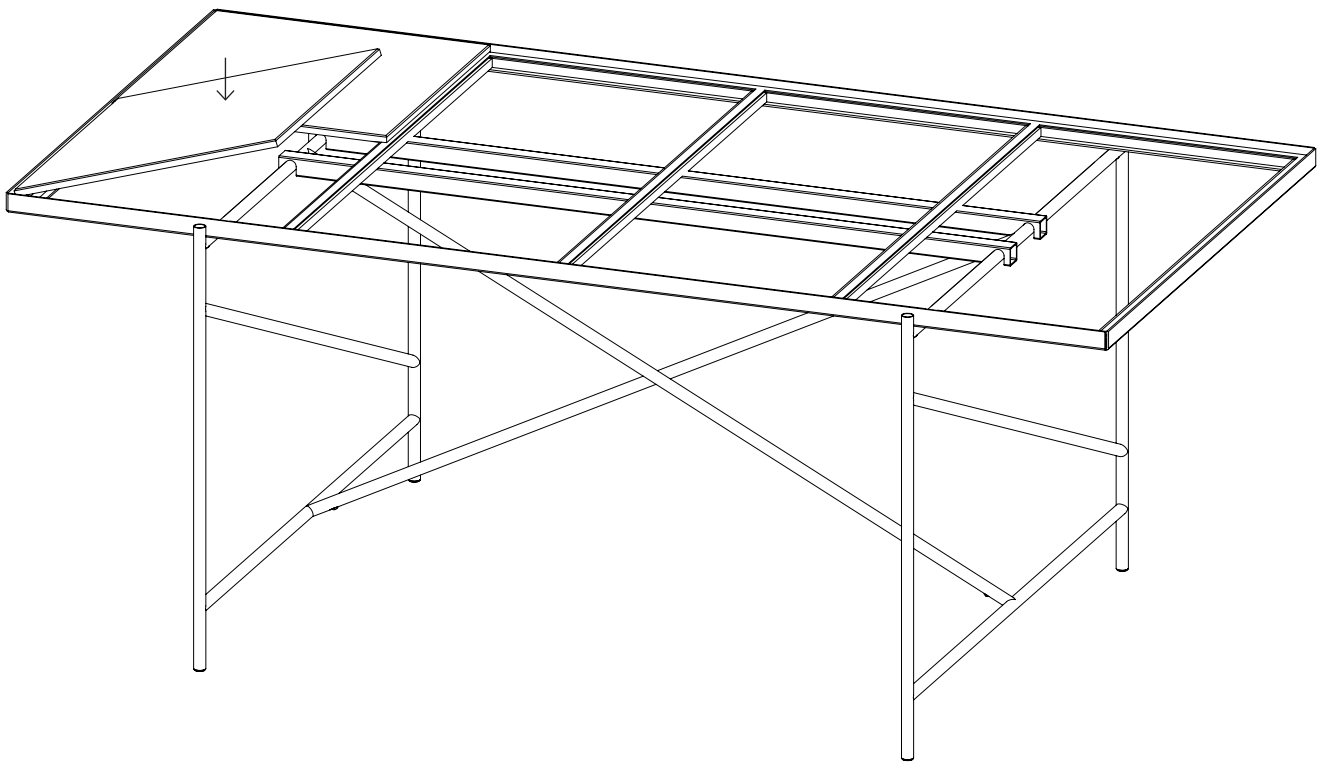
Tighten all screws again once finished

HANDVÄRK

F U R N I T U R E

Dining Table 185

7

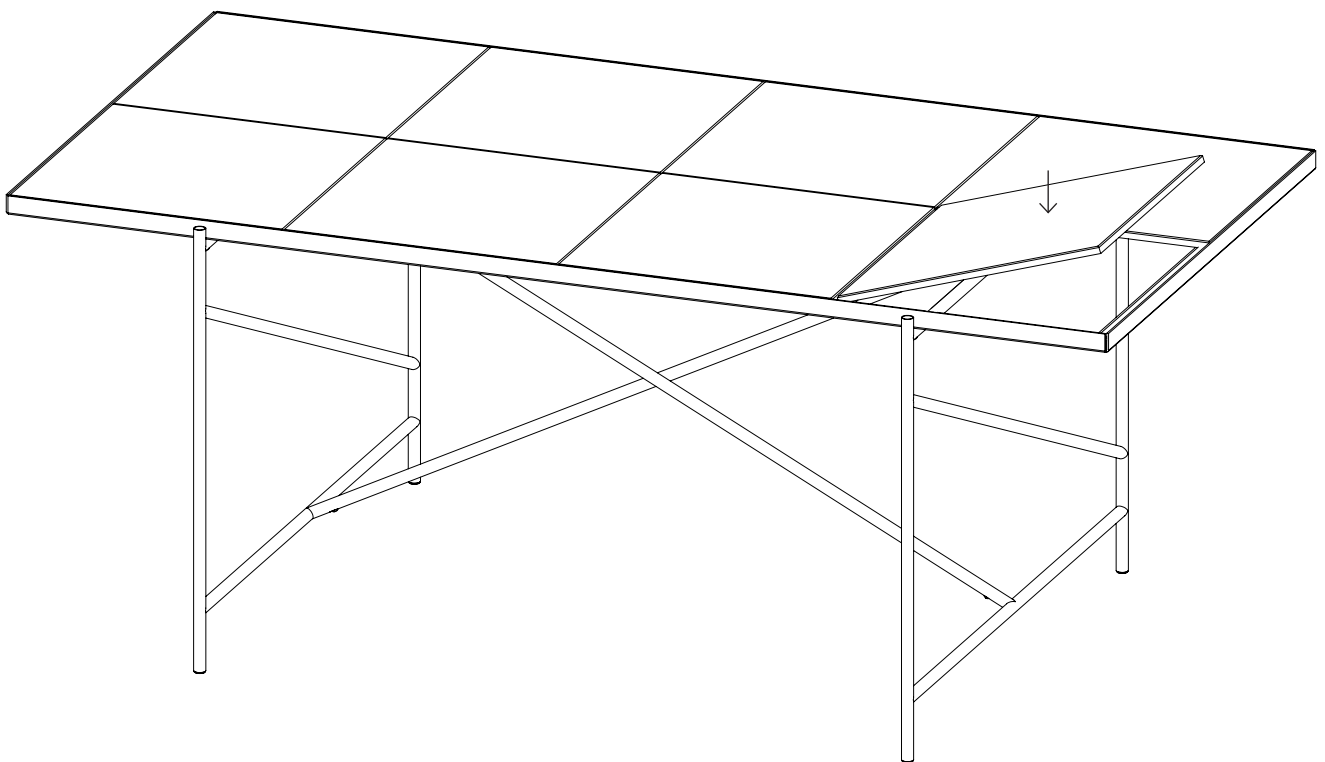


HANDVÄRK

F U R N I T U R E

Dining Table 185

8

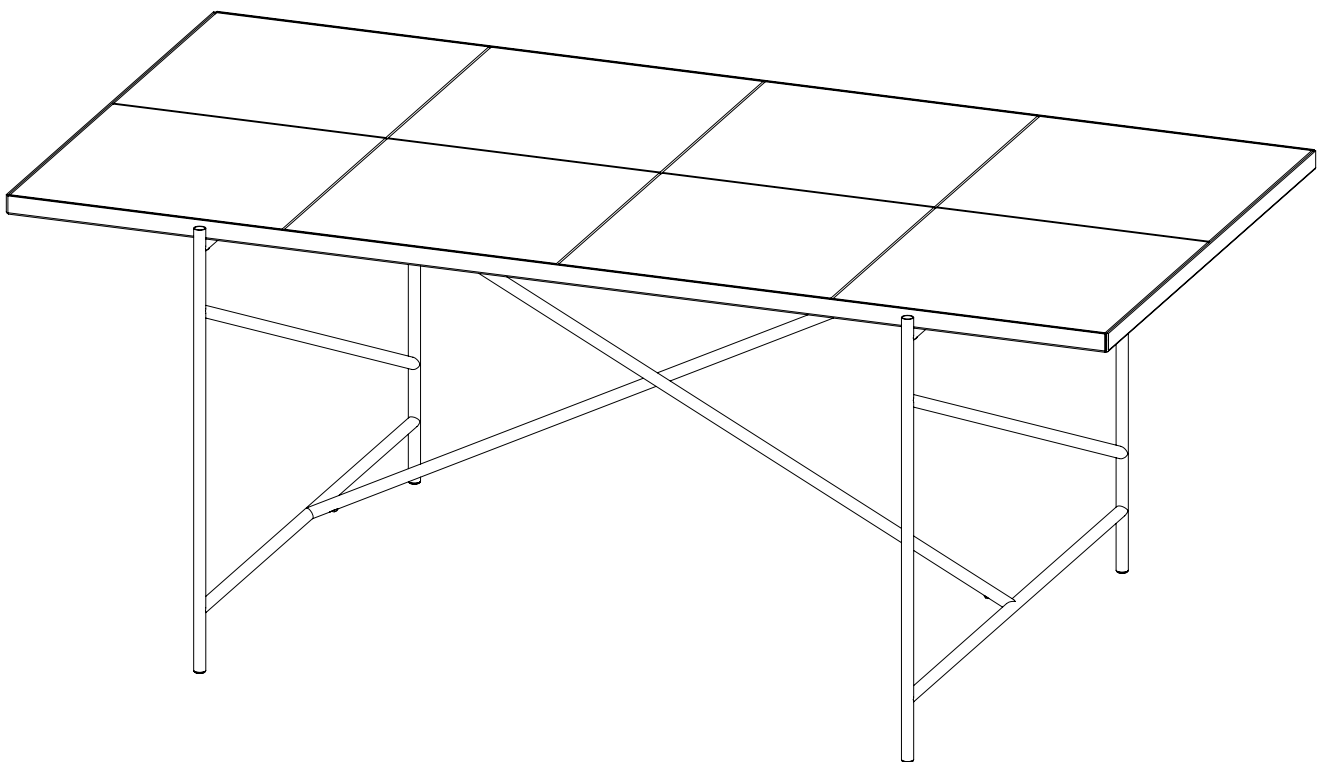


HANDVÄRK

F U R N I T U R E

Dining Table 185

9



HANDVÄRK

F U R N I T U R E

HANDVÄRK ApS | Aarhusgade 136A | 2150 Nordhavn | Copenhagen Denmark
info@handvark.com | +45 31 777 943 | www.handvark.com