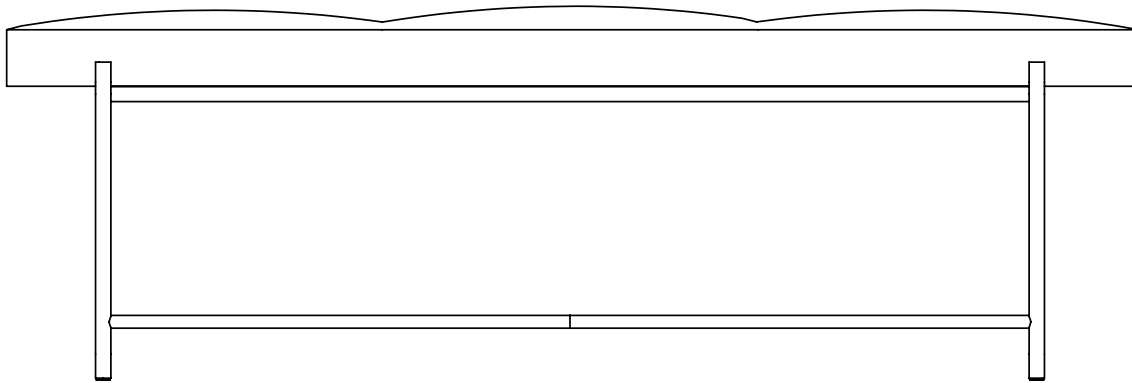


# HANDVÄRK

F U R N I T U R E

---



## Grand Bench Assembly Instructions

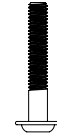
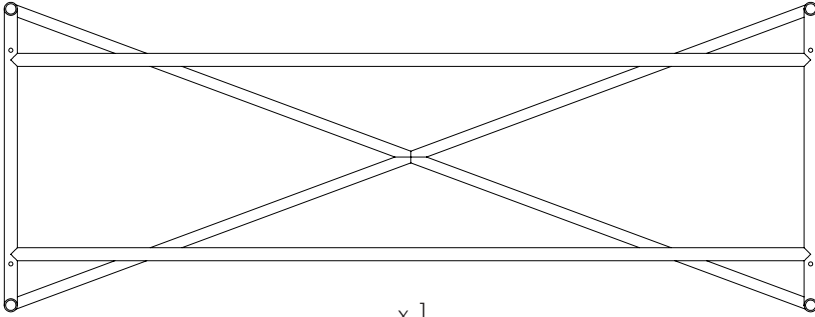
---

# HANDVÄRK

F U R N I T U R E

Grand Bench

---



x 4



x 1



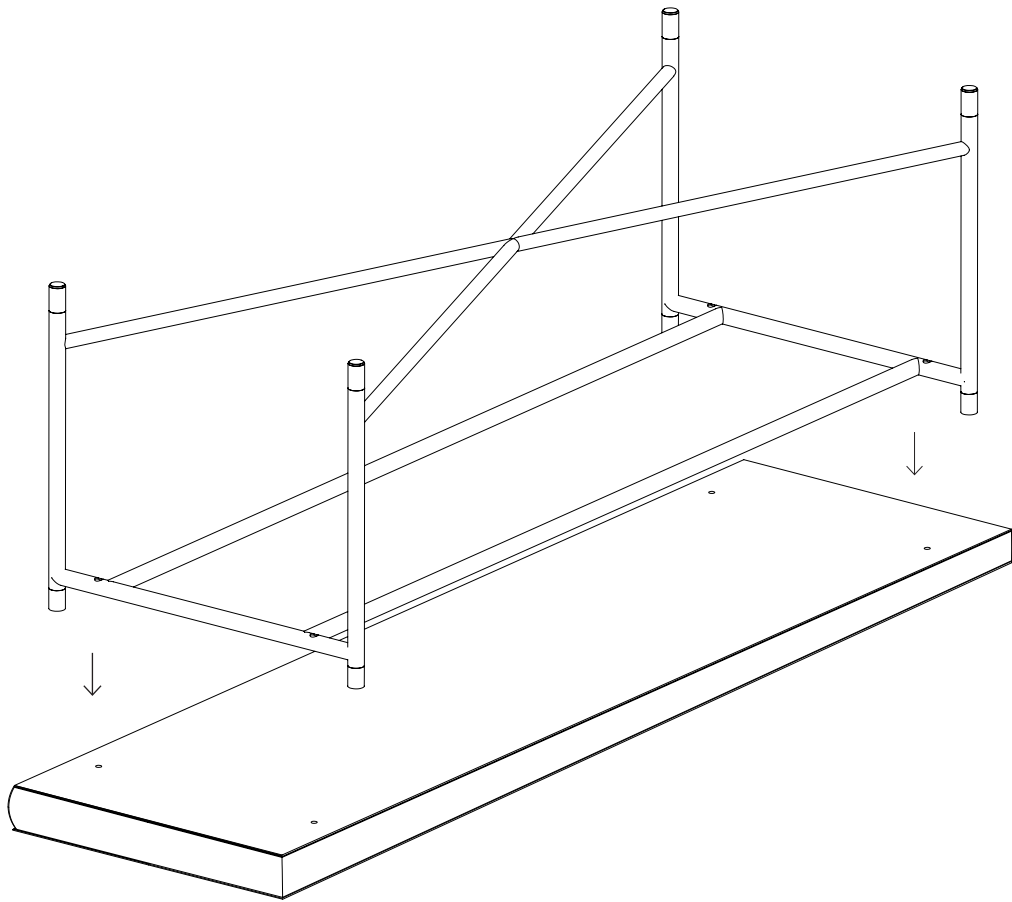
# HANDVÄRK

F U R N I T U R E

Grand Bench

---

1

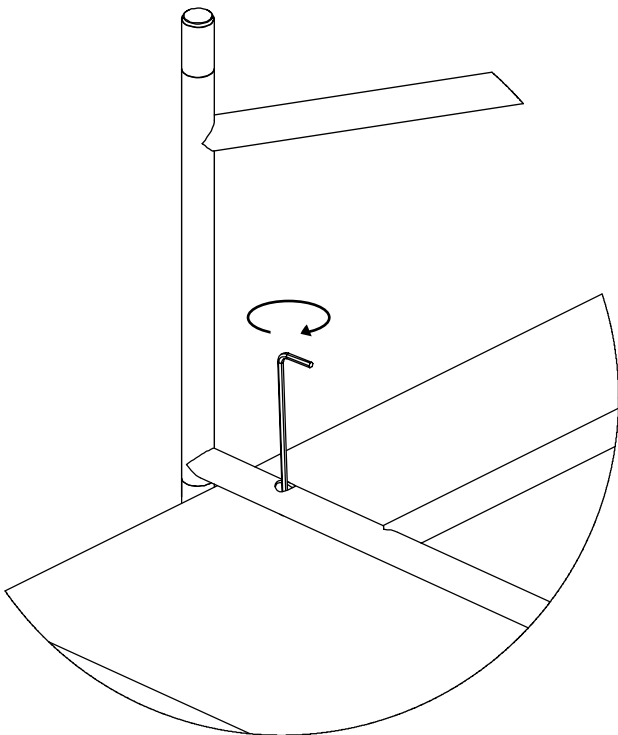
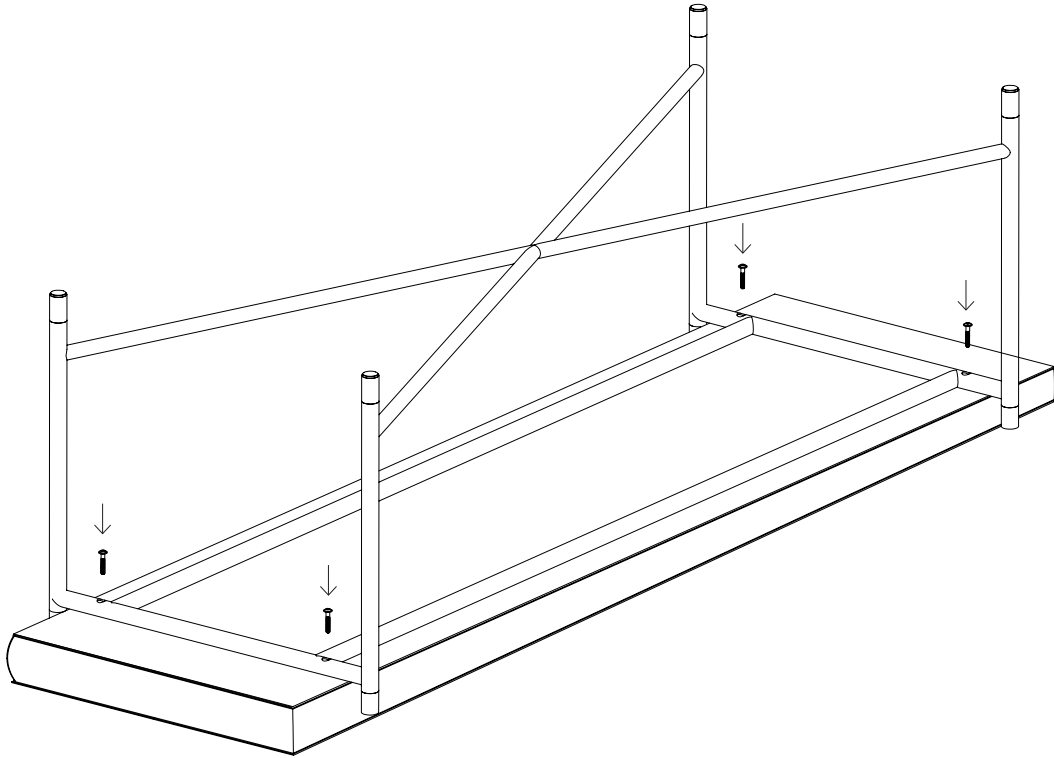


# HANDVÄRK

F U R N I T U R E

## Grand Bench

2



Using the hex key only, turn each screw slightly into the thread so it is secure.

Do not screw tightly until all screws are placed in the holes.

# HANDVÄRK

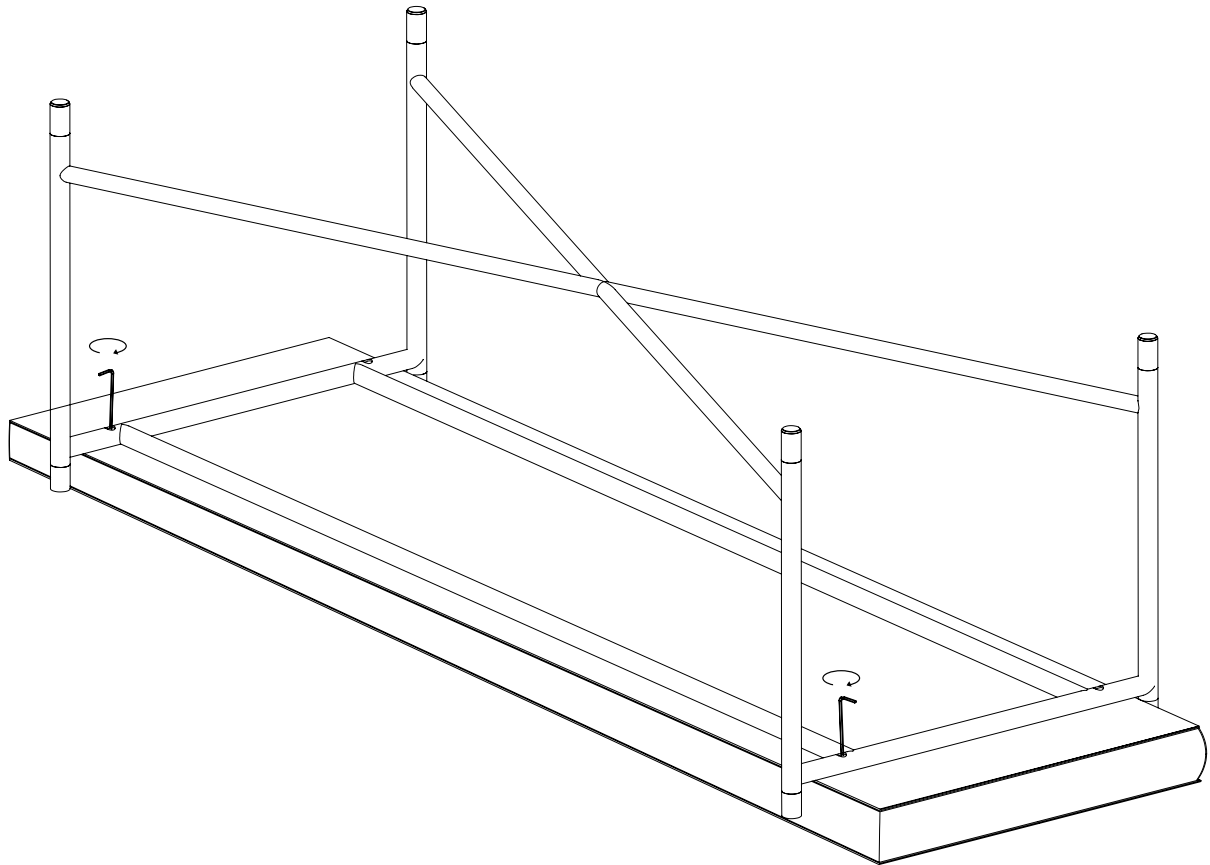
F U R N I T U R E

## Grand Bench

---

3

Tighten screws using the hex key after they have all been placed in the frame.



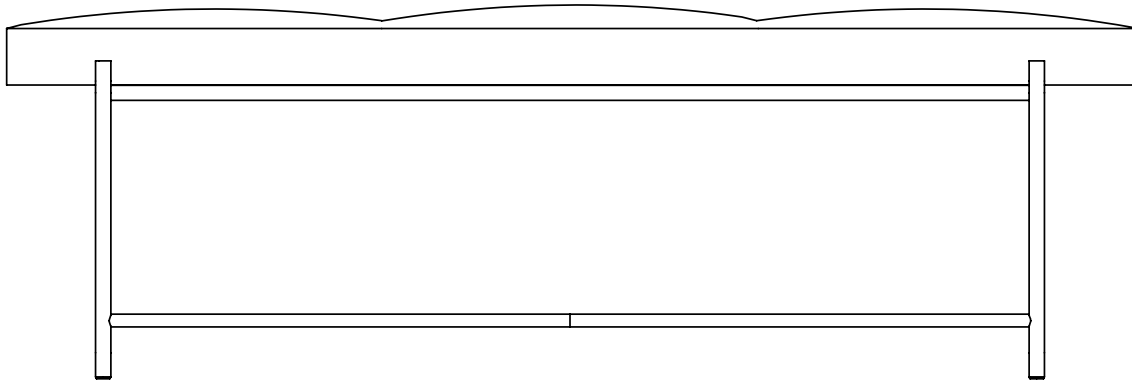
# HANDVÄRK

F U R N I T U R E

Grand Bench

---

4



# HANDVÄRK

F U R N I T U R E

HANDVÄRK ApS | Aarhusgade 136A | 2150 Nordhavn | Copenhagen Denmark

[info@handvark.com](mailto:info@handvark.com) | +45 31 777 943 | [www.handvark.com](http://www.handvark.com)