

LEVEL

ASSEMBLY INSTRUCTION

W0UD

**THE LEVEL DAYBED IS MADE WITH
CARE FROM LONG LASTING NATURAL
MATERIALS. IT IS INTENDED TO FIT
INTO THE INFORMAL CONTEMPORARY
INTERIOR WHILE COMMUNICATING
STABILITY, COMFORT, AND CRAFT.
WE HOPE YOU FEEL SECURE BEING
SUPPORTED BY ITS STURDY SAWHORSE
BASE AND FIND COMFORT IN ITS PLUSH
LEATHER MATTRESS.**

A stylized, handwritten signature in black ink. The signature consists of two parts: 'JC' on the left and 'MS' on the right, both written in a fluid, cursive style. The 'J' and 'C' are connected, and the 'M' and 'S' are also connected. The signature is positioned above the text 'MSDS STUDIO'.

MSDS STUDIO

ASSEMBLY INSTRUCTION

**PLEASE GO THROUGH THE FOLLOWING
STEPS CAREFULLY. RETAIN THIS MANUAL
FOR FUTURE REFERENCE TO ENSURE THAT
YOUR NEW ITEM IS CORRECTLY ASSEMBLED
IN CASE IT SHOULD BE DISASSEMBLED OR
MOVED. WE ARE NOT RESPONSIBLE FOR
ANY FAULTS OR DAMAGES CAUSED BY
NOT FOLLOWING THESE INSTRUCTIONS
CORRECTLY.**



F X 1



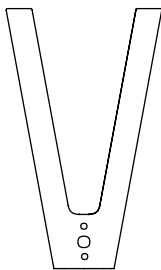
A X 1



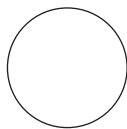
B X 4



C X 8



D X 4



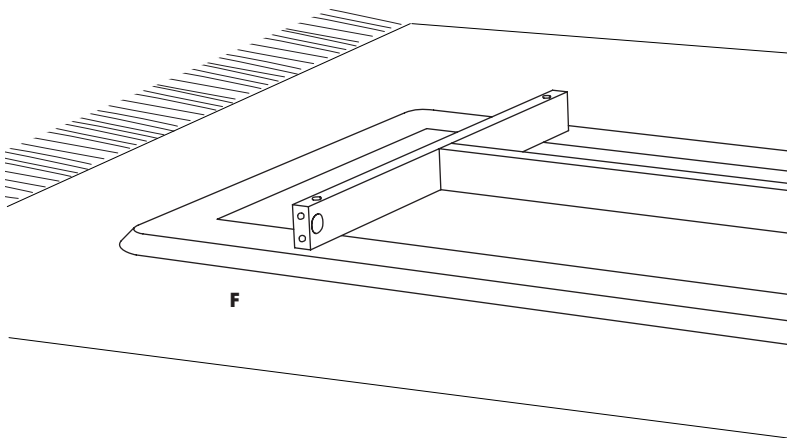
E X 4

TOOLS NEEDED



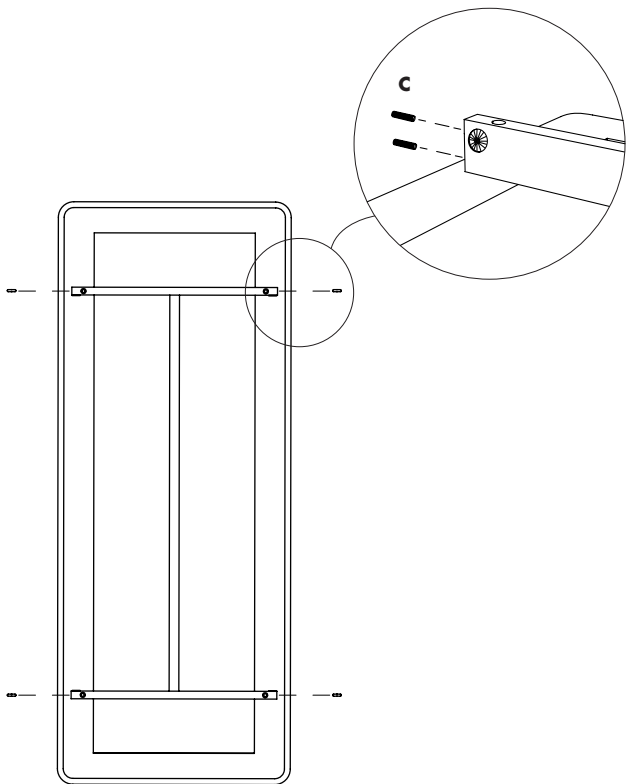
STEP 1

WE RECOMMEND THAT YOU PLACE THE WOODEN FRAME ON A CARPET



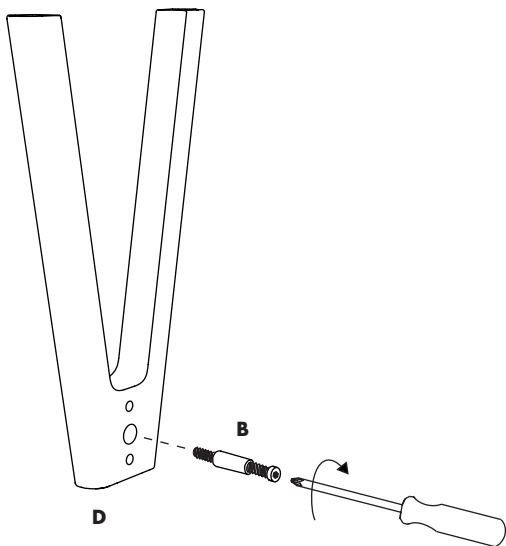
STEP 2

APPLY THE DOWELS IN THE FRAME



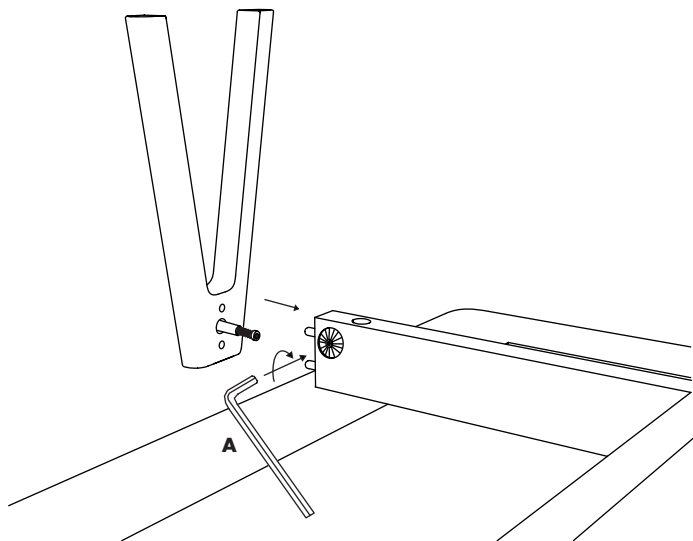
STEP 3

MOUNT THE SCREWS IN THE LEGS



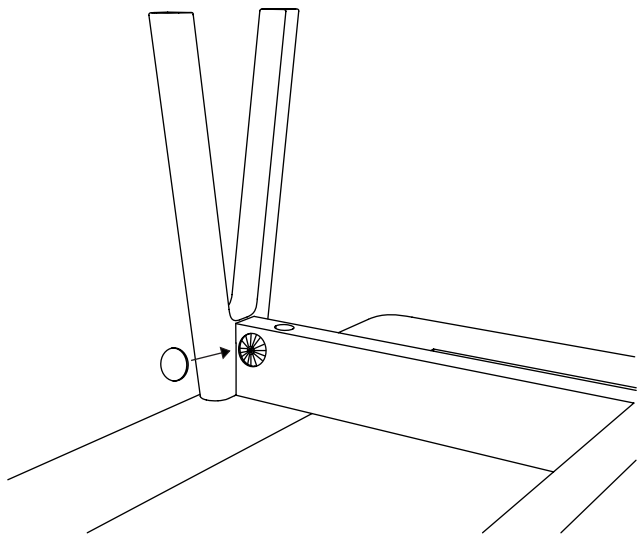
STEP 4

TIGHTEN THE LEGS ONTO THE FRAME BY USING THE HEX KEY



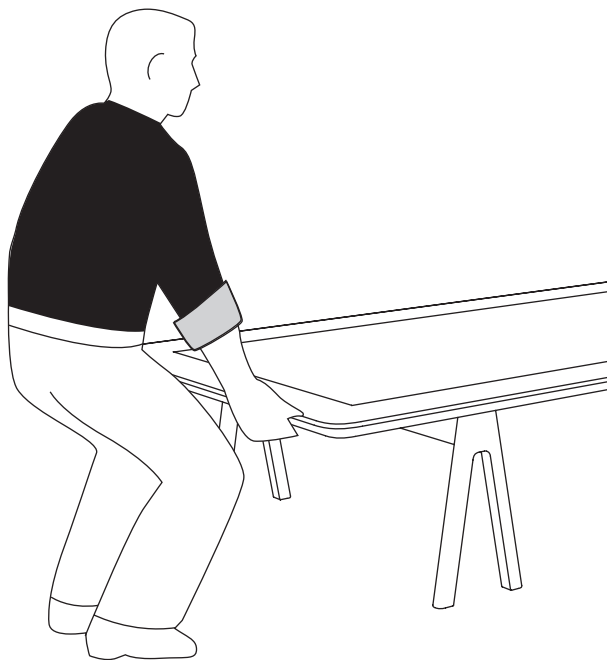
STEP 5

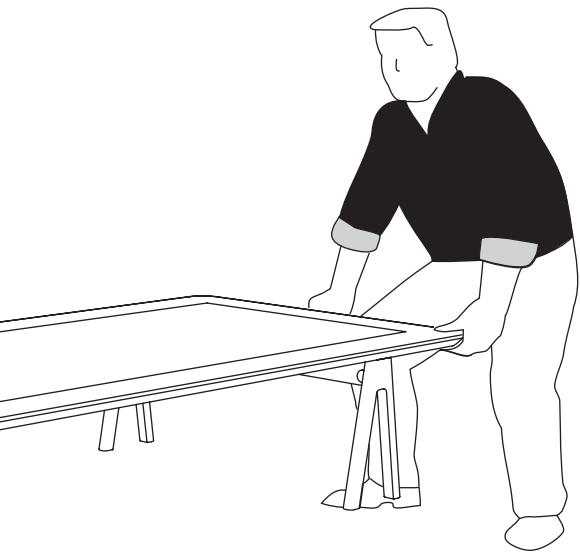
APPLY THE END CAPS



STEP 6

FLIP THE FRAME AND PUT THE MATTRESS ON TOP





DESIGNED BY
MSDS STUDIO