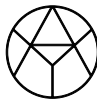
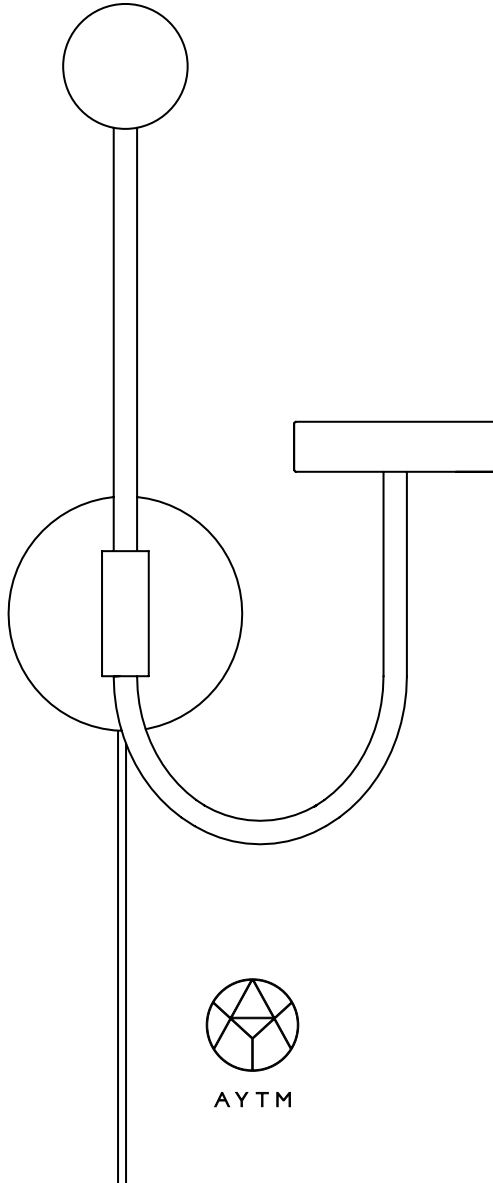
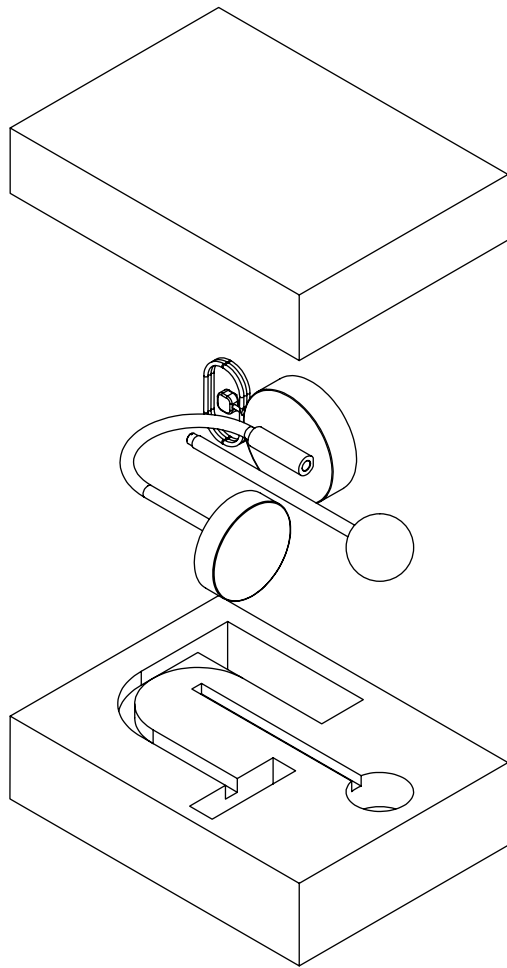


# GRASIL

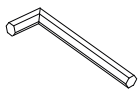
---



AYTM



x 1



x 1

M6x25 mm  
(FOR BRICK WALL)

x 3

M4x12 mm

x 2

M4x30 mm

x 3

