

Designed by GamFratesi

PRODUCT



DESCRIPTION

TS series is designed by GamFratesi. TS Pouffes is available in three sizes, with a upholstered top part and a black painted frame. The frame is 14mm tube with 6mm rod across. The top is upholstered with Fabric or leather with a piping around the top edge.

VERSION

- Upholstered in fabric/leather / Black painted frame // - / RAL 9005 gloss 15

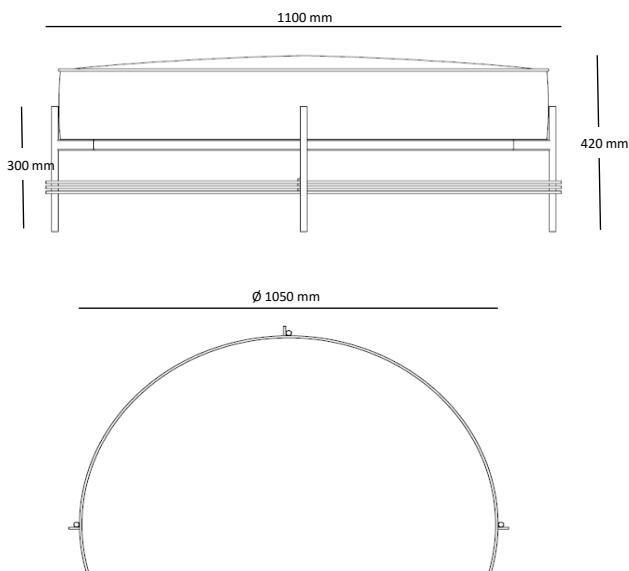
TYPES

Order item - look for part number in the pricelist.

The series consists for the following:

- TS POUFFE Ø55
- TS POUFFE Ø105
- TS POUFFE 120x40

MEASUREMENTS



FACTS

MEASUREMENT

Height: 420 mm  
 Width: 1100 mm  
 Upholstery diameter: 1050 mm  
 Upholstery height: 200 mm  
 Frame height: 300 mm  
 Leg diameter: 14 mm

WEIGHT ITEM

Ø105: Upholstery 22,9 kg, Frame 5,3 kg

PACKAGING TYPE

Cardboard box, Plastic wrapping, Foam

PACKAGING MEASUREMENT Ø105 - L X W X H CM

Upholstery: L: 110 X W: 110 X H: 25 CM  
 Frame: L: 82 X W: 82 X H: 34 CM

WEIGHT PACKAGING - MATERIAL TYPE

Ø105 Upholstery:  
 - Delivery note: 5 g  
 - Cardboard: 2000 g  
 - Plastic wrapping: 1000 g  
 - Strapping: 10 g  
 Total: 3,02 kg

Ø105 Table frame:

- Delivery note: 5 g  
 - Cardboard: 3000 g  
 - Foam protector: 100 g  
 Total: 3,11 g

WEIGHT TOTAL:

34,4 kg

NUMBER OF PARCELS

2 psc.

NOTICE!

Frame and top os packed individually and not mounted upon delivery.

FABRIC CONSUMPTION

Fabric: 1,4 m x 2,1 m  
 Leather: 4,6 m<sup>2</sup>

## CLEANING AND MAINTENANCE

---

Daily cleaning of the metal frame is done by wiping the frame with a clean dry cloth, or with a cloth hardly wrung in clean water. Dirty surfaces are cleaned with a hardly wrung cloth out of soapy water or in water with added liquid soap. Wipe after with a clean dry cloth.

For cleaning the upholstered surface, first try to brush off the dirt gently. If this is not enough then vacuum the surface.

If further cleaning of the padding is needed, a stain remover is recommended. The cleaning has to be gentle and must always be tested on the most invisible area of the surface before the actual cleaning. Avoid blotches by gentle, circular rubbing towards the stain.

To avoid stains, quickly remove the dirt with a piece of absorbing household wipe and clean with water and colourless washing-up liquid.

Do not use the following products for the padding:

- Undiluted cleaning liquids.
- Bleach.
- Ammoniac.
- Soap for hard surfaces.

For further cleaning guidance, we refer to information regarding the specific textile.

## ENVIRONMENT

---

Parts can be separated and sorted for recycling.

## TESTS

---

-

## CERTIFICATION AND LABELS

---

-