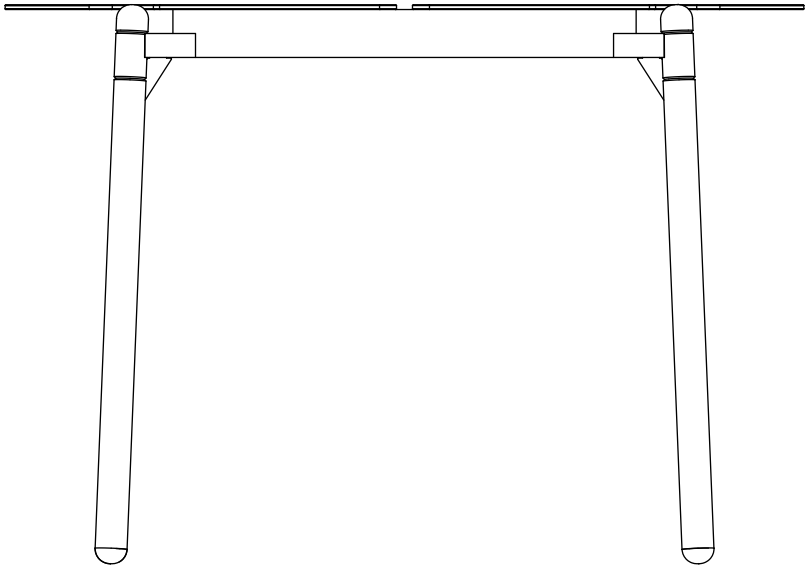
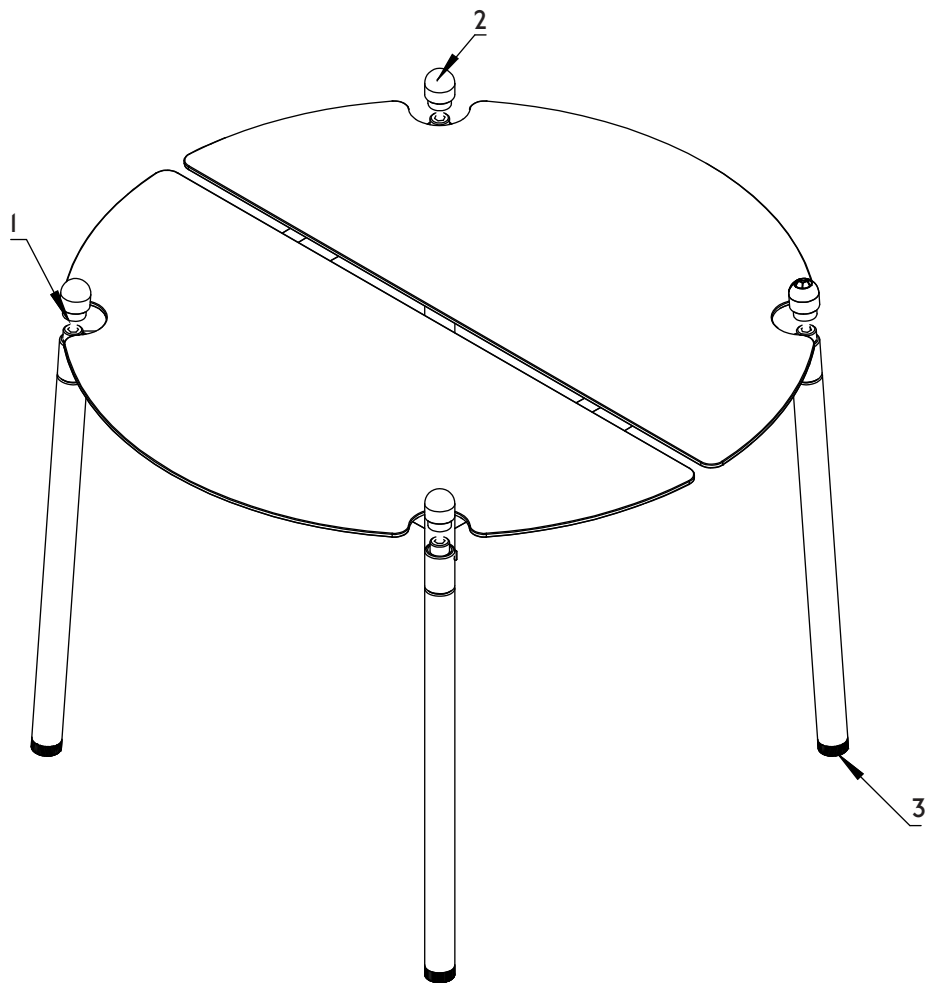









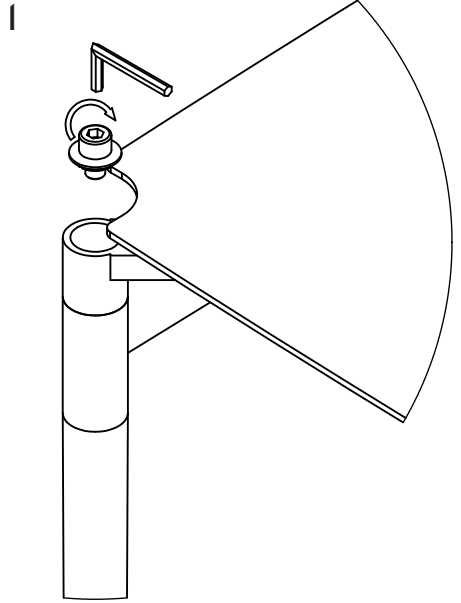
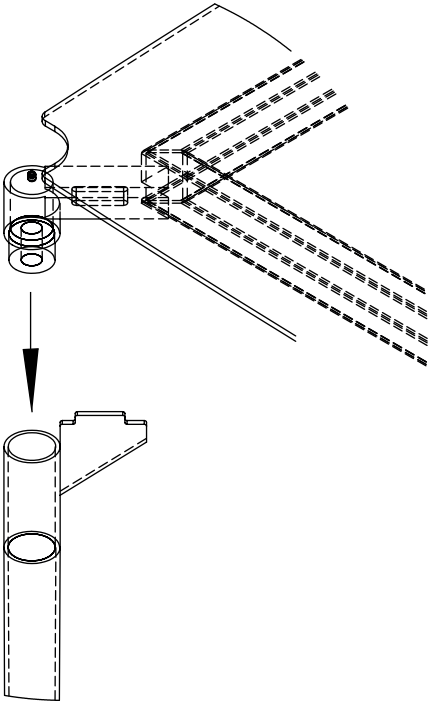
NOVO



AYTM

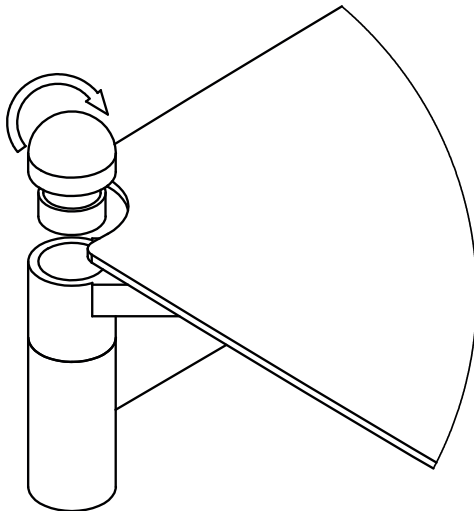


<p>1</p>  <p>x 4</p>	 <p>x 4</p>	 <p>x 4</p>
<p>2</p>  <p>x 3</p>  <p>x 1</p>	<p>3</p>  <p>x 4</p>	 <p>x 1</p>



The decoration cap must be screwed on tightly

2





AYTMDESIGN.COM
#AYTM