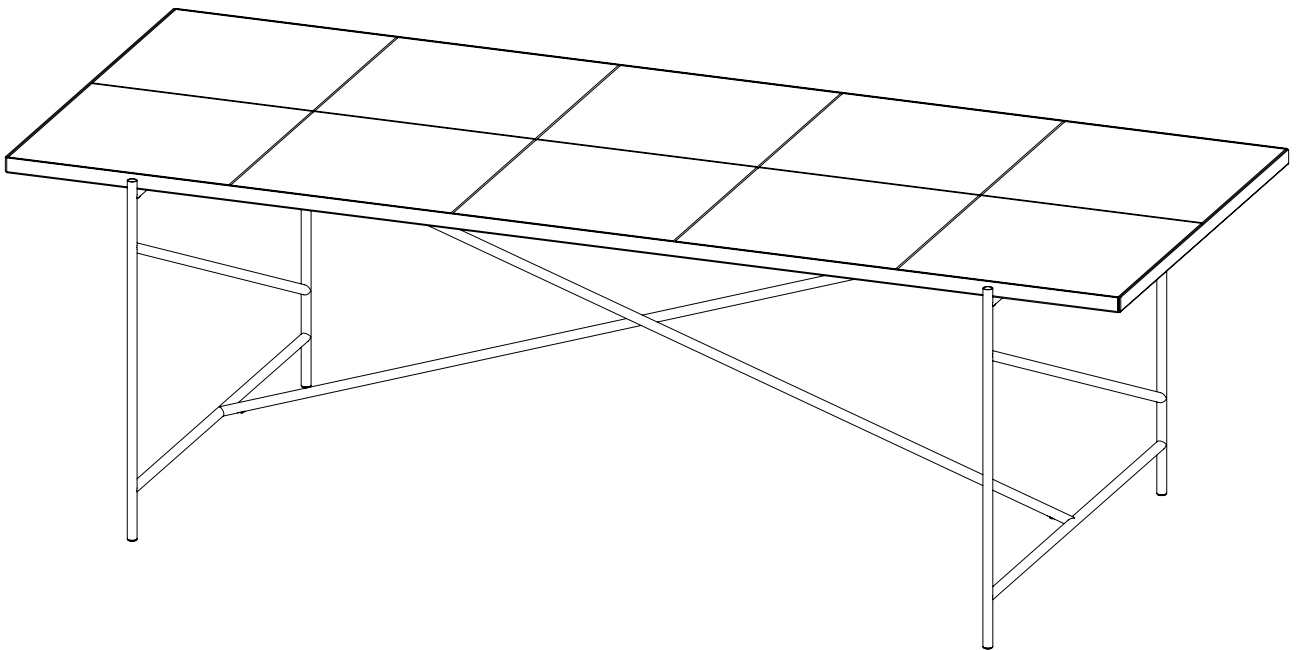


# HANDVÄRK

F U R N I T U R E

---



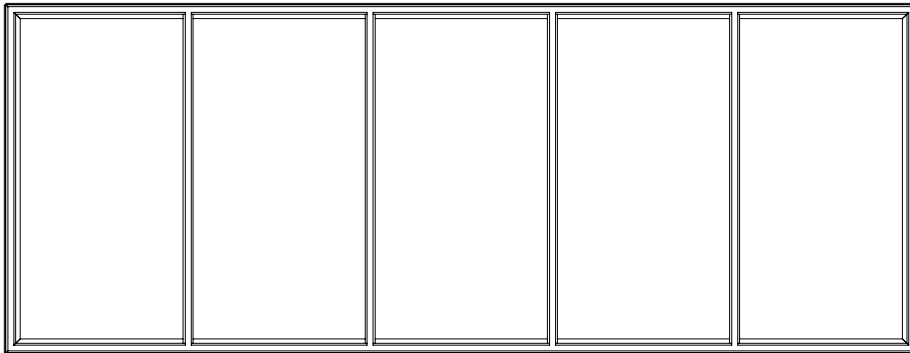
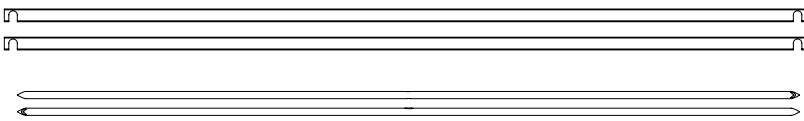
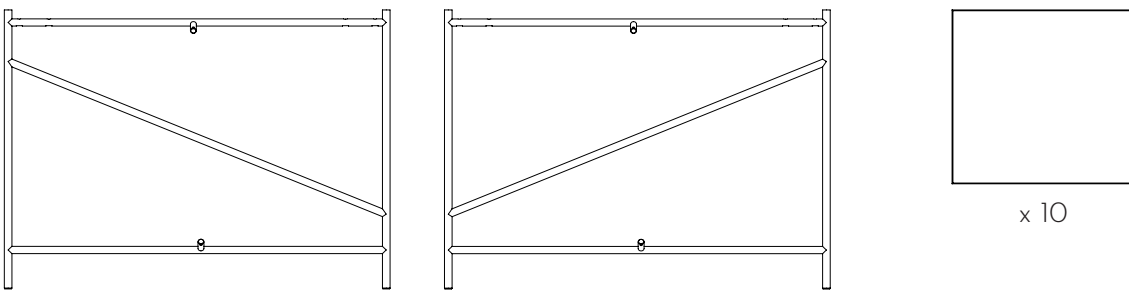
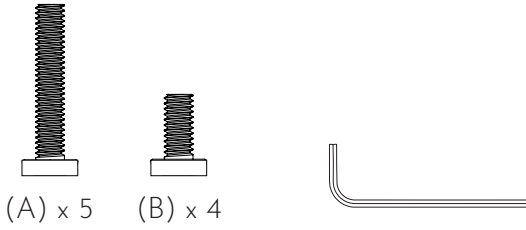
## Dining Table 230 Assembly Instructions

---

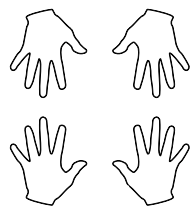
# HANDVÄRK

F U R N I T U R E

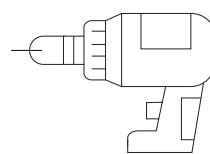
Dining Table 230



## Recommendation



2 People



Hand Drill

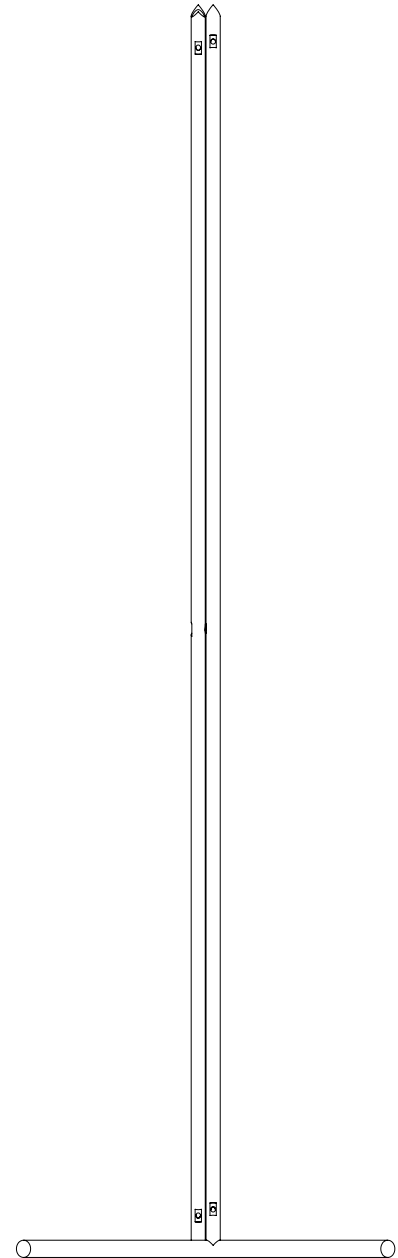
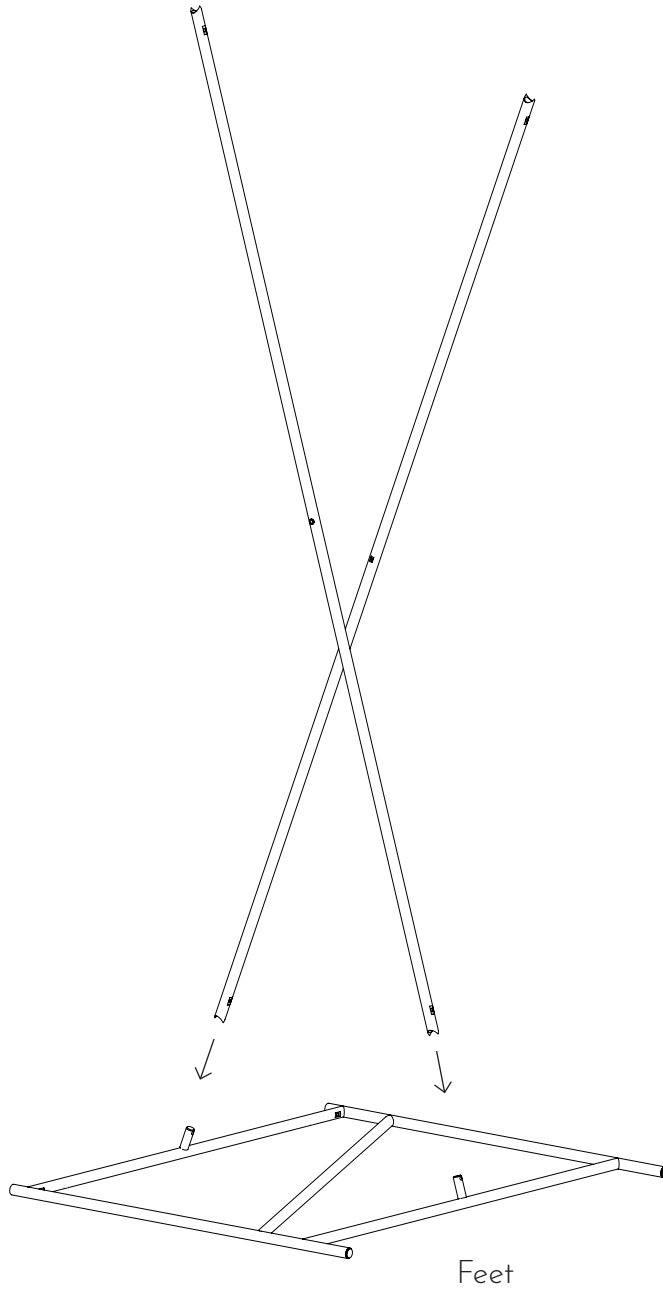
# HANDVÄRK

F U R N I T U R E

Dining Table 230

---

1



Place the cross bars on the taps so all holes are pointing towards the feet. The bars should not cross over each other.

---

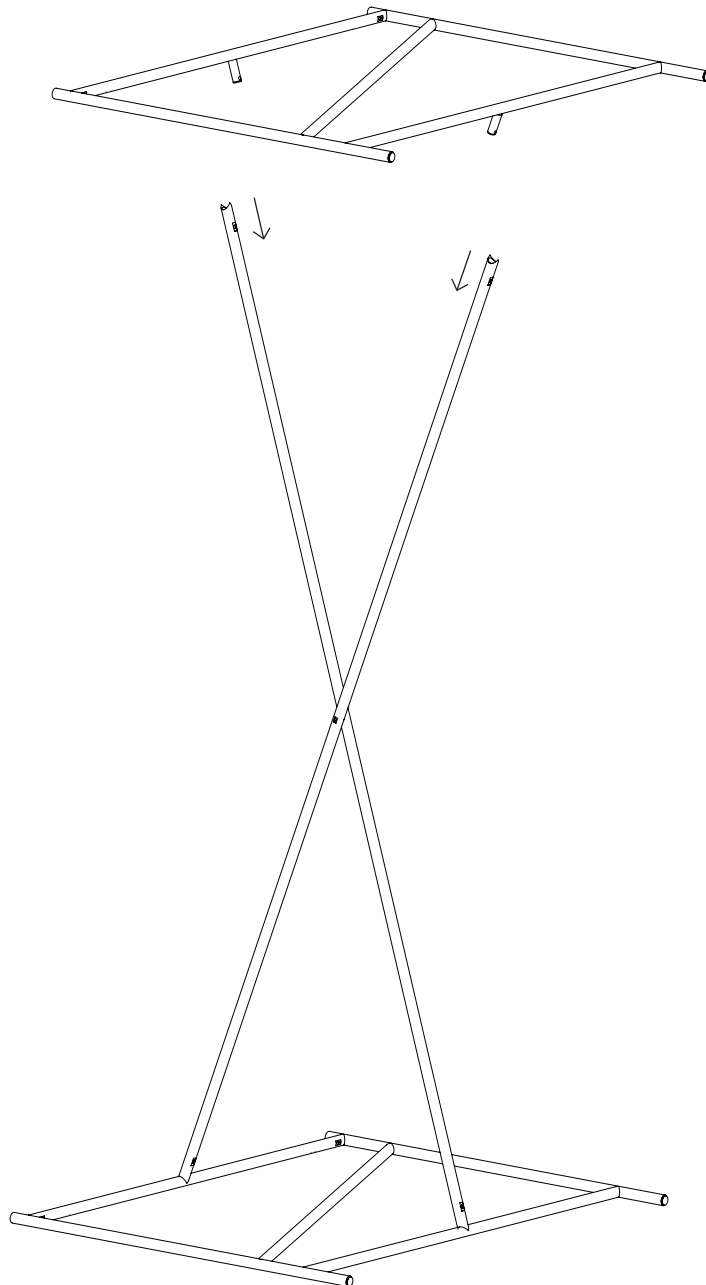
# HANDVÄRK

F U R N I T U R E

Dining Table 230

---

2



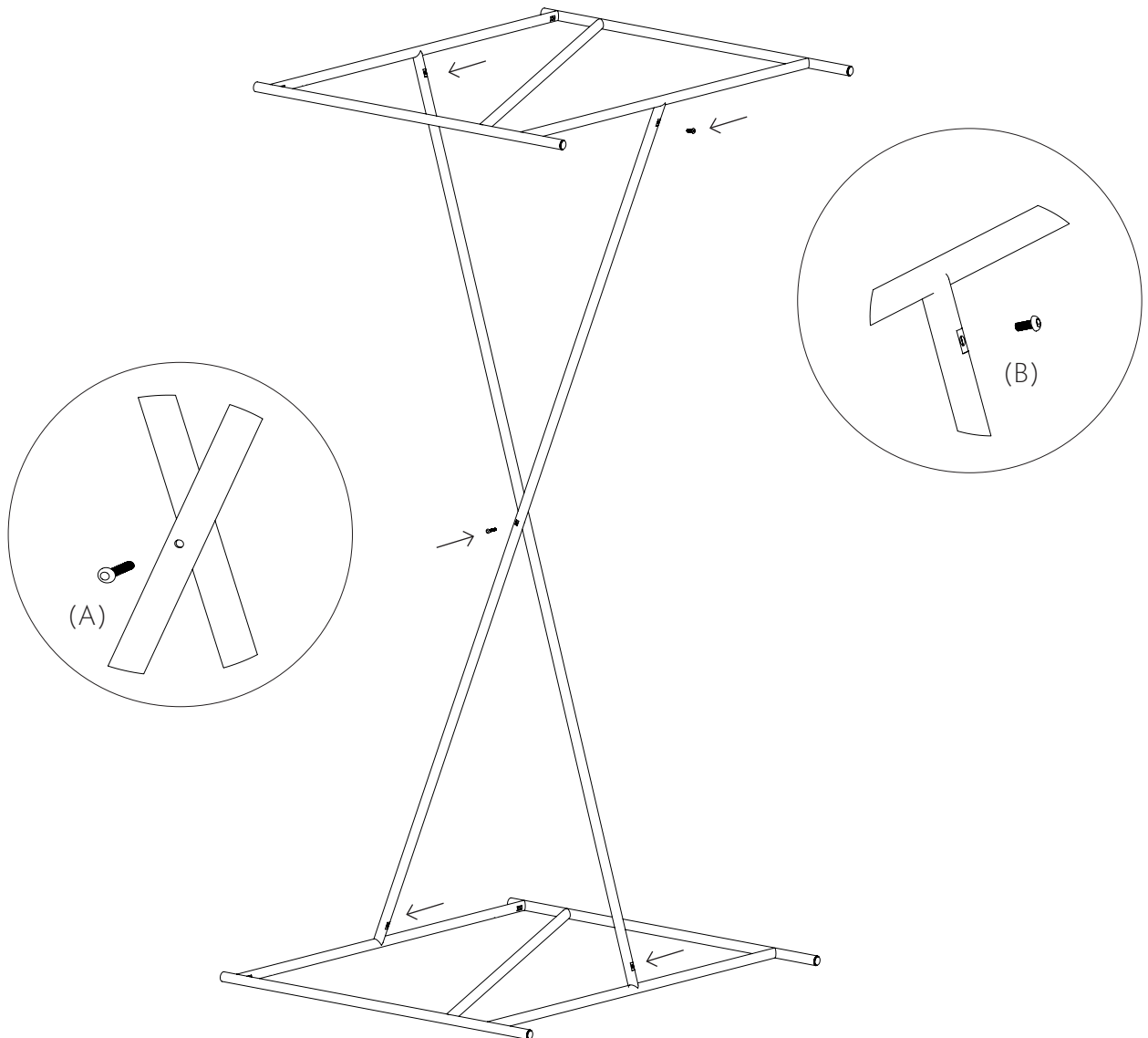
# HANDVÄRK

F U R N I T U R E

Dining Table 230

---

3



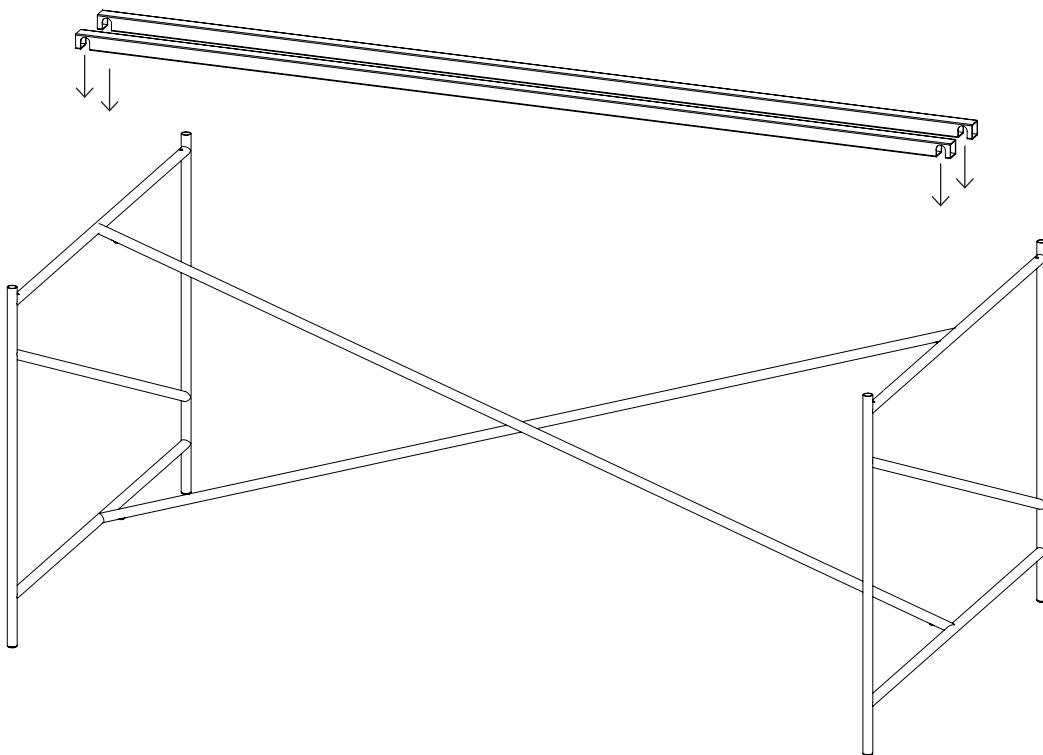
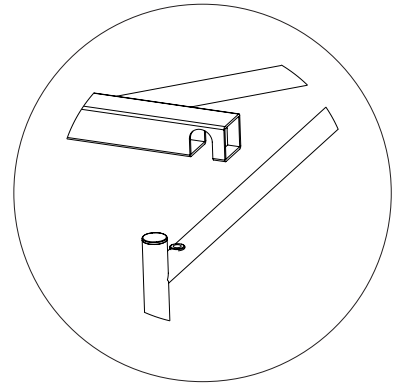
# HANDVÄRK

F U R N I T U R E

Dining Table 230

---

4



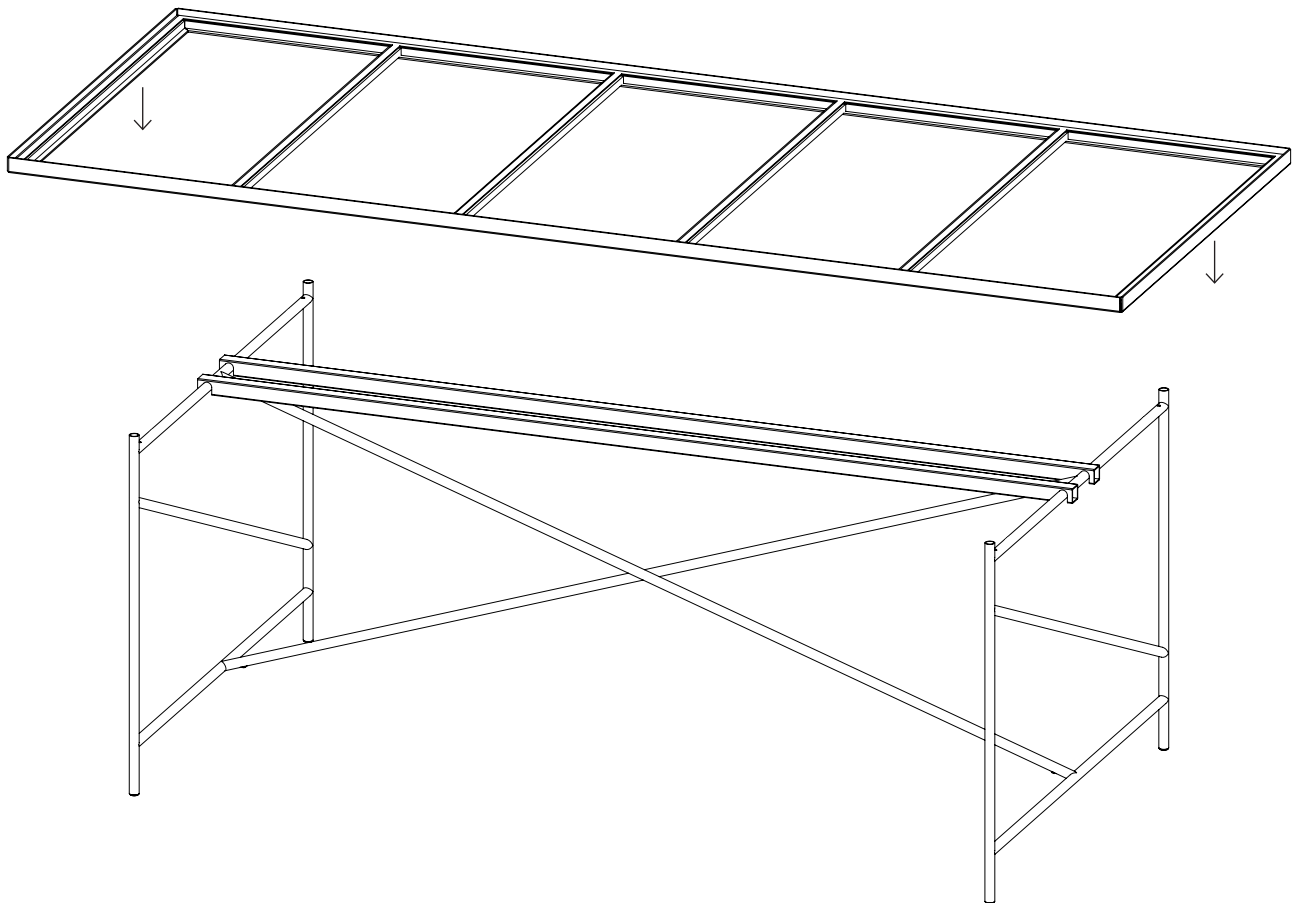
# HANDVÄRK

F U R N I T U R E

Dining Table 230

---

5



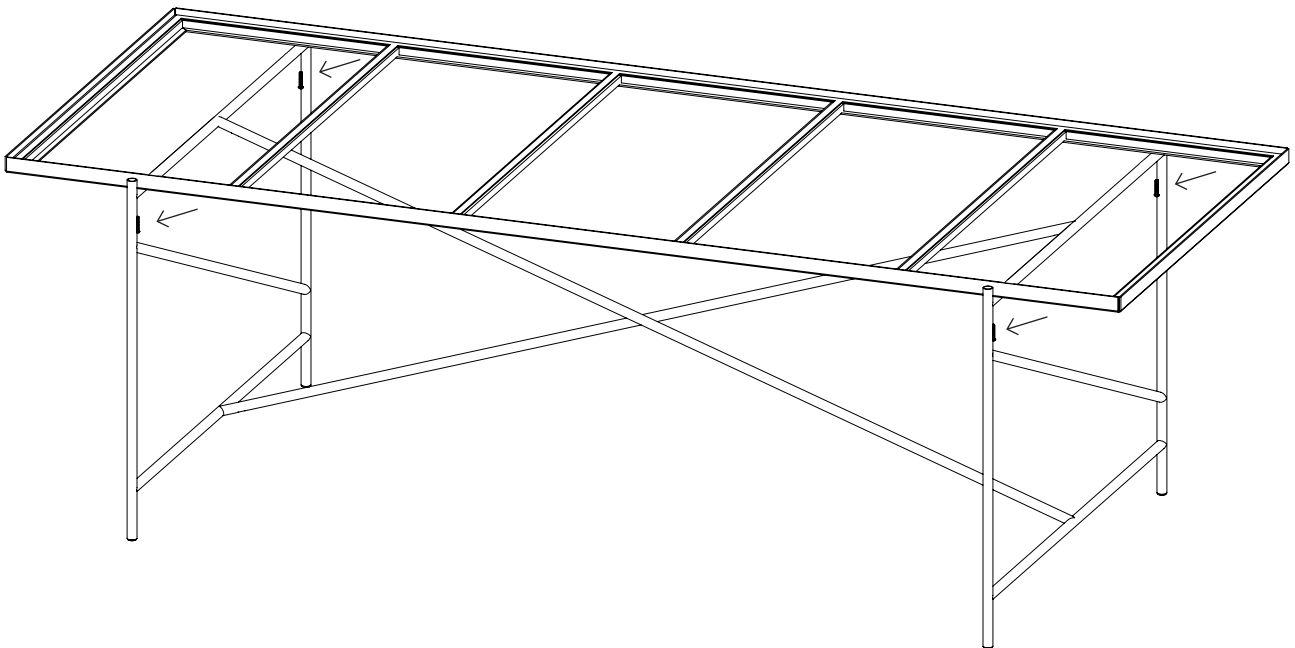
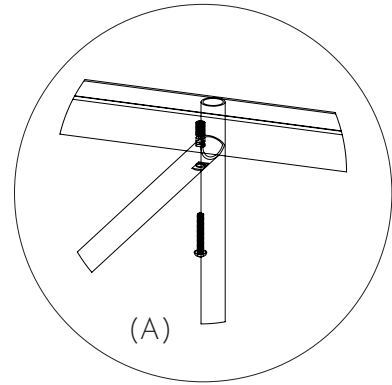
# HANDVÄRK

F U R N I T U R E

Dining Table 230

---

6



Tighten all screws again once finished

---



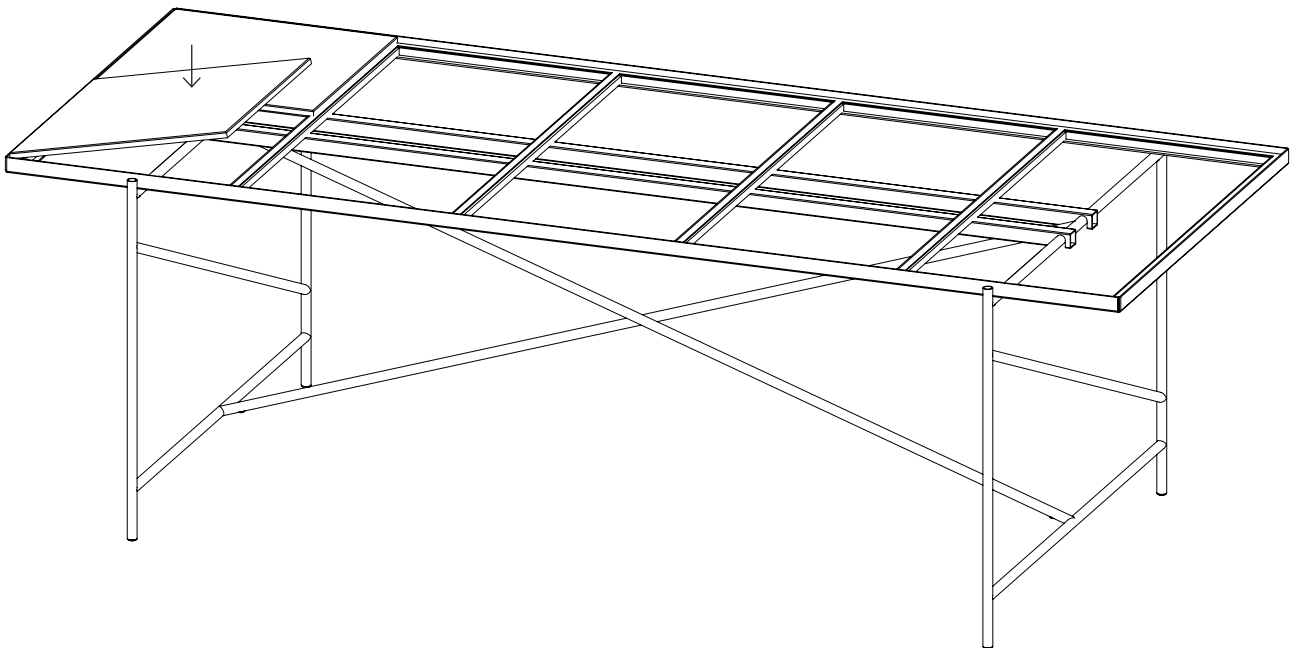
# HANDVÄRK

F U R N I T U R E

Dining Table 230

---

7



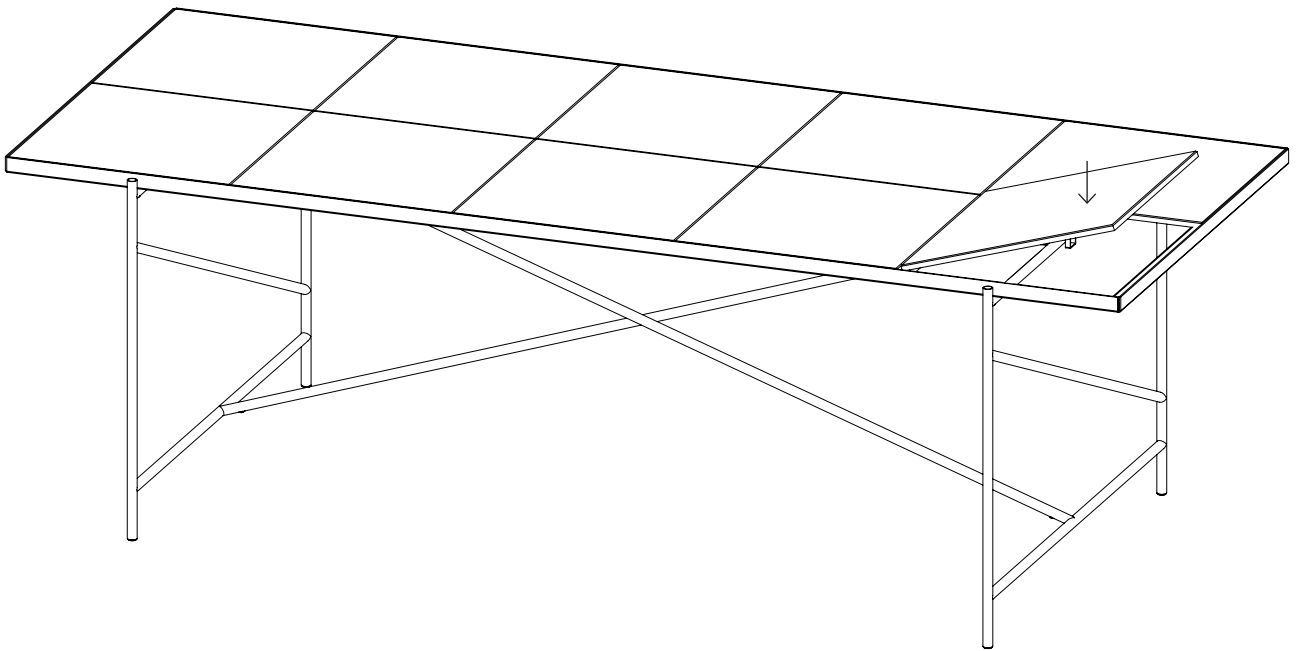
# HANDVÄRK

F U R N I T U R E

Dining Table 230

---

8



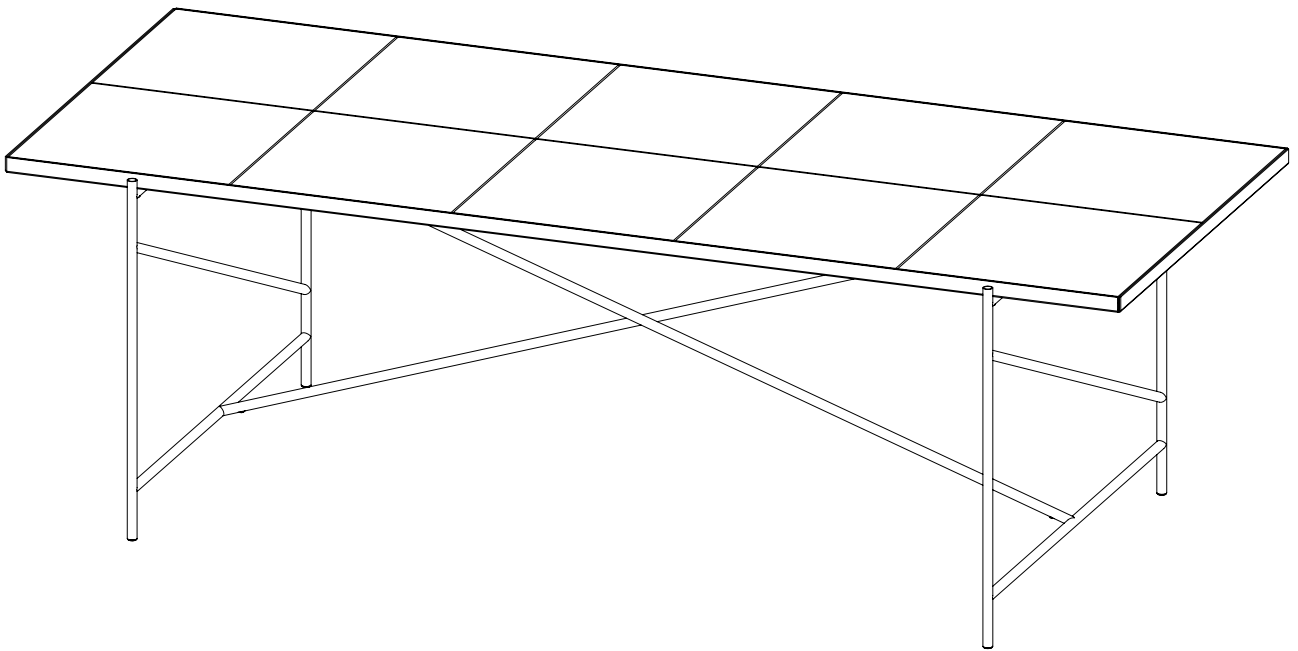
# HANDVÄRK

F U R N I T U R E

Dining Table 230

---

9



# HANDVÄRK

F U R N I T U R E

HANDVÄRK ApS | Aarhusgade 136A | 2150 Nordhavn | Copenhagen Denmark

[info@handvark.com](mailto:info@handvark.com) | +45 31 777 943 | [www.handvark.com](http://www.handvark.com)