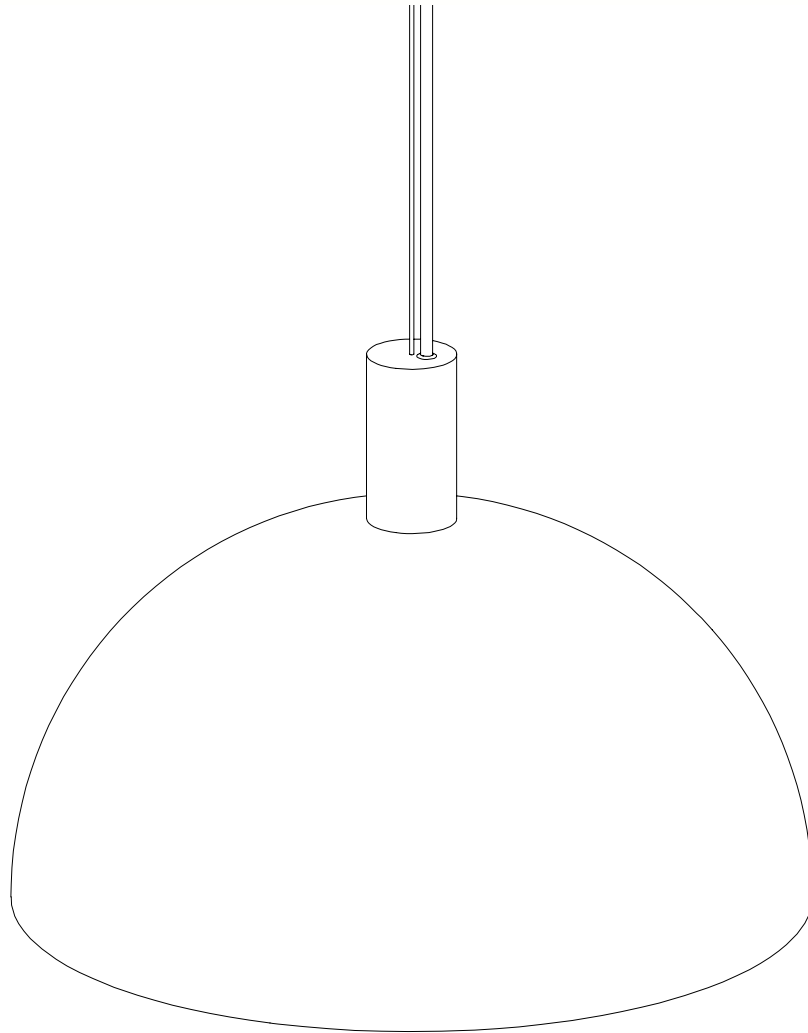


HANDVÄRK

F U R N I T U R E



Studio Pendant Ø34, 40 & 50
Assembly Instructions

HANDVÄRK

F U R N I T U R E

Studio Pendant

Important Information

Before commencing installation work disconnect the main cable from the power supply - remove fuse or turn switch to "OFF"!

Inspect the lamp in case of clear damage to components. Contact us if there is clear damage.

1. Installation should be carried out in accordance with the local safety regulations.
2. In order to prevent damage, please check walls for cables before drilling holes.
3. Please ensure that all electrical connections (even pre-assembled lamps) are screwed tightly or are fully inserted as good contact is essential for a long life-span at high currents.

Please check for tight connections after changing or adjusting lamps.

4. Please do not place extra weight onto the lamp (e.g. for decorative purposes) if they were not delivered with the system.
5. Metal parts could get hot when in use. Please allow lamps to cool down before touching.
6. Do not change bulbs when switched on.
7. The pendant must not be enlarged with additional lamps.

Fitting: E27

This lamp can be dimmable. (Must be compatible with type of bulb used.)

Placement:

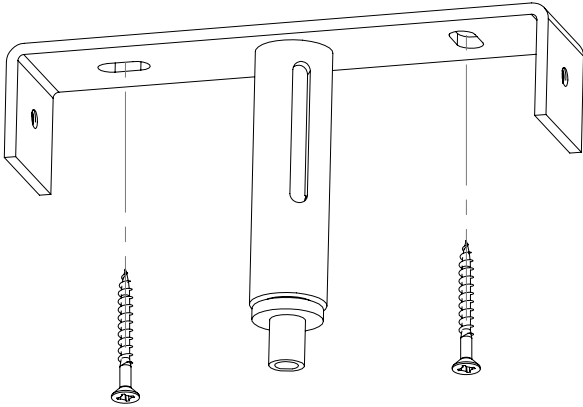
Indoor use only in normal dry conditions.
Do not install outside.

HANDVÄRK

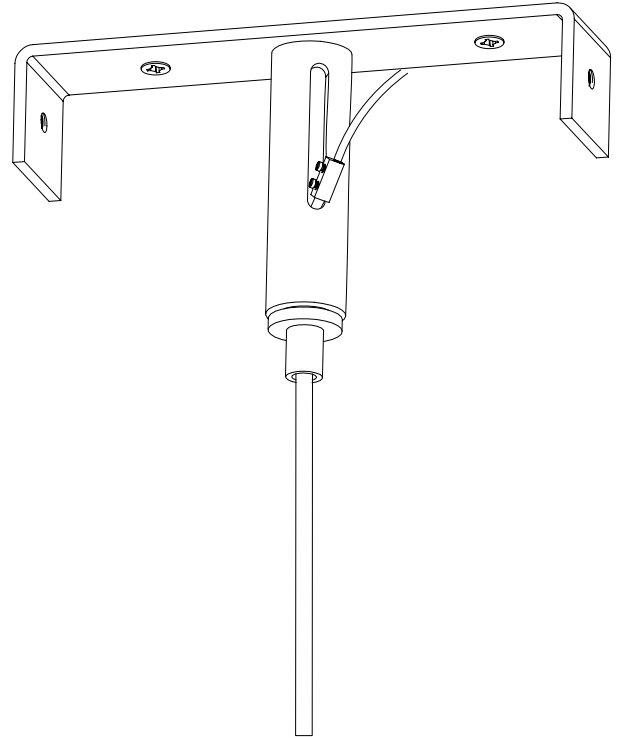
F U R N I T U R E

Studio Pendant

1



2



Mount the bracket to the ceiling with appropriate screws and components.

Make sure it is fixated properly and securely.

Pull the wire through the wire lock and adjust to the desired height.

Press the top of the wire lock to release the wire if you have pulled too much.

WARNING: Always support the pendant when releasing the wire from the wire lock.

Removing excess wire is optional.

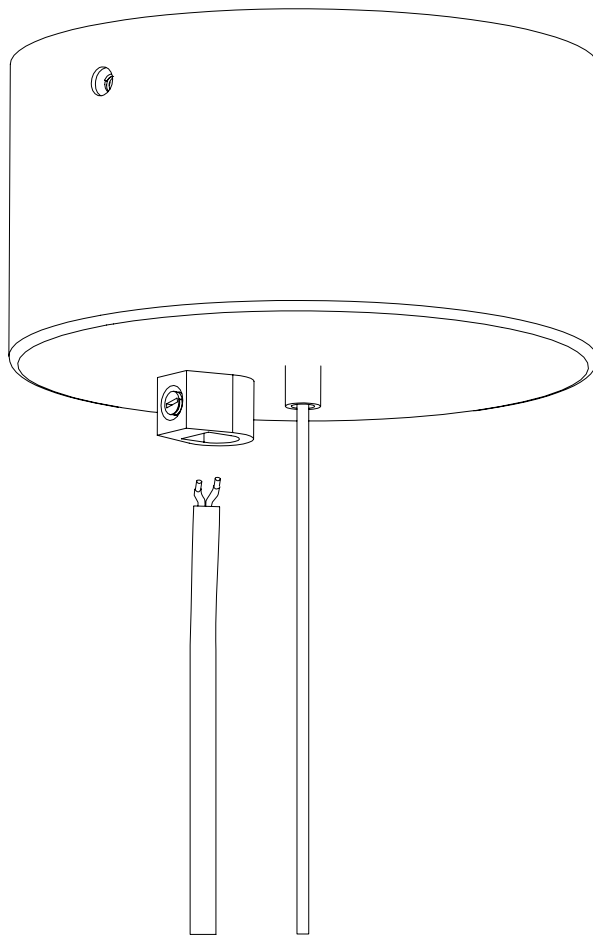
For safety, screw the clamp to the wire when you have your desired height.

HANDVÄRK

F U R N I T U R E

Studio Pendant

3



Lead the cable in through the cable relief on the ceiling case.

Cable length: 3m

Adjust cable to desired length when hung. Be sure to tighten the screw carefully.

Removing excess fabric cable is optional. It may be necessary if lack of space in ceiling case.

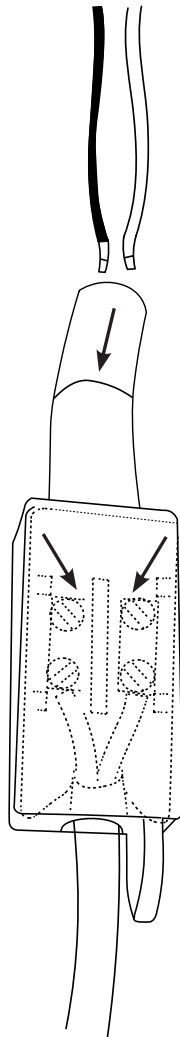
Always ensure the pendant is hung by the wire - NOT by the cable

HANDVÄRK

F U R N I T U R E

Studio Pendant

4



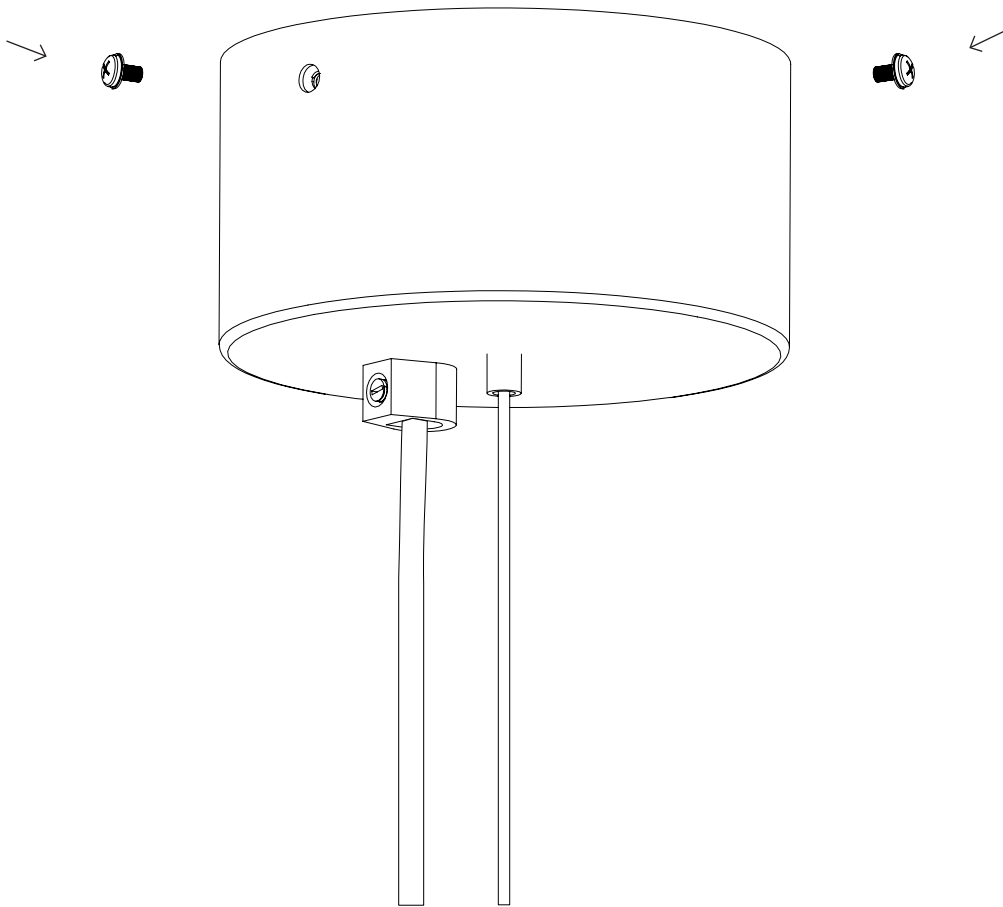
Lead the cable into the terminal and connect to the power.

HANDVÄRK

F U R N I T U R E

Studio Pendant

5



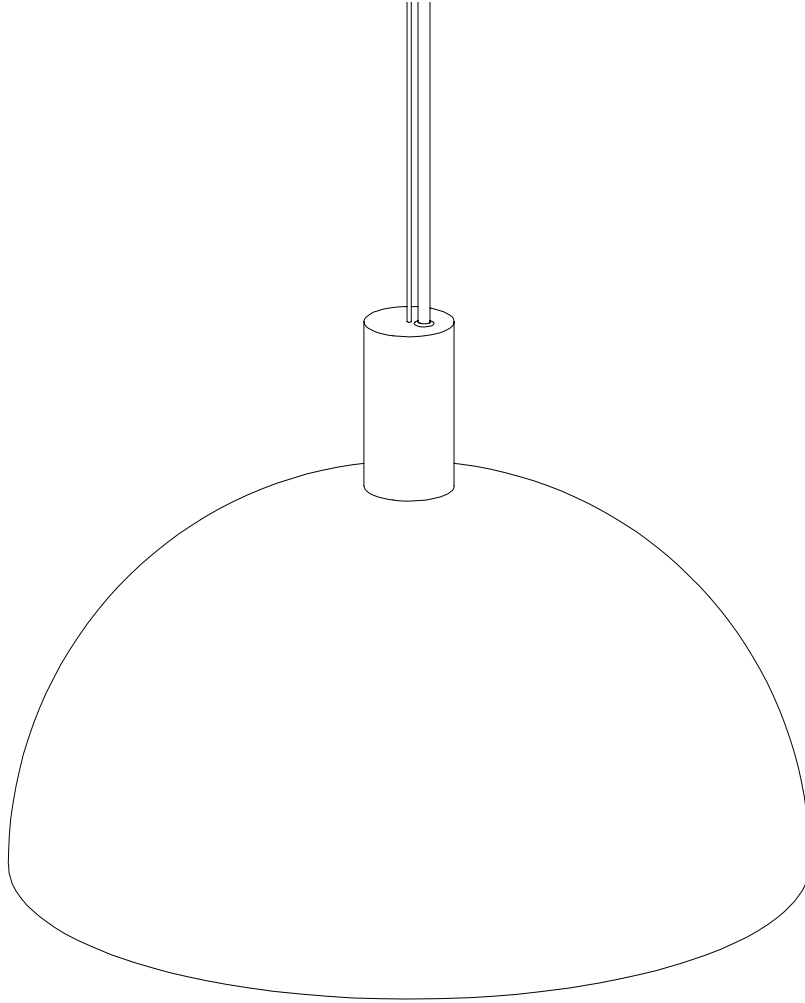
Attach the ceiling case to the bracket by using the 2 screws.

Ensure the ceiling case is secured.

HANDVÄRK

F U R N I T U R E

6



HANDVÄRK

F U R N I T U R E

HANDVÄRK ApS | Aarhusgade 136A | 2150 Nordhavn | Copenhagen Denmark

info@handvark.com | +45 31 777 943 | www.handvark.com