

SIDE POCKET | SOFA ACCESSORY

Designed by Søren Ravn Christensen



DIMENSIONS

H x W x D: 36 x 56.5 x 6.4 cm / 14.1 x 22.2 x 2.5"



MATERIAL

Anthracite grey felt, leather (faux leather) and steel



WEIGHT

450 g / 15.9 oz



WEIGHT INCL. PACKAGING

600 g / 21.2 oz



PACKAGING DIMENSIONS (L x W x H)

80 x 53 x 26 cm / 31.5 x 20.9 x 10.2"



MEDIA KIT

Photos and press material
Download at umage.presscloud.com



ORDERING INFORMATION

Side Pocket

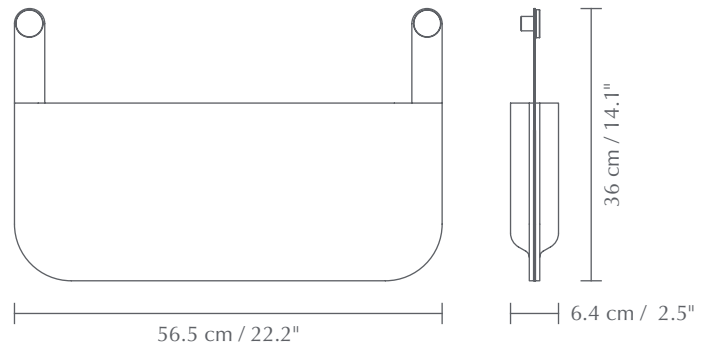
EU/UK/US #5402

ACCESSORIZE YOUR LOUNGE AROUND

With the Lounge Around accessories you can add extra functionality to the Lounge Around sofa and daybed. Add the Round Table, so you have an extra side table close by, for your laptop or a cup of tea. The Side Pocket offers storage for your weekly newspapers and magazines. Enhance the ambiance by the Lounge Around with the Light Around lamp.

All accessories for the Lounge Around can be modulated and placed exactly where you need it, by using the holes in the back and on the sides of the sofa and daybed. When the holes are not used for the Lounge Around accessories, they can be covered by brass brackets included when buying Lounge Around.

Find more info on our website umage.com



Colour variations



grey

