

# MOBIL 46 WALL

MANUAL

Wall lamp  
Monika Mulder  
2016

pholc

## MOBIL 46 WALL

“Give me a lamp that will look great on a New York loft – with those words I started to work with the series Mobil for Pholc.” – Monika Mulder.

## MONIKA MULDER

Dutch designer Monika Mulder (1972) cares a lot for the sculptural aspect of design. In her eyes everything is a composition. Monika's main interest is to develop relevant solutions for real needs, and to give grace and beauty to everyday products. Her work is playful and functional, solving challenges of production with creativity and consideration.

Monika's designs have received awards such as Best Swedish design 2001 and Elle Decoration Best furniture of the Year 2003. And her work has been shown on exhibition world wide as well as published in design books.

Monika was born in Woudsend. She studied at the Design Academy in Eindhoven. An internship at the design department of IKEA led to a job and a succession of notable projects. In 2007 she set up her design studio in Gothenburg, where she works as an independent designer.

## PHOLC

Founded in 2015 by Maja and Samuel Norburg, Pholc is a distinctly Swedish lighting brand with a new take on Scandinavian design. The brand collaborates with talents from diverse fields with a commitment to creating meaningful and versatile designer lamps with strong personalities.

### PRODUCT

MOBIL 46 WALL

MOBIL 46 WALL

MOBIL 46 WALL Fixed installation

MOBIL 46 WALL Fixed installation

### COLOR

Black

Brushed brass

Black

Brushed brass

### ART

510 215

510 218

512 215

512 218

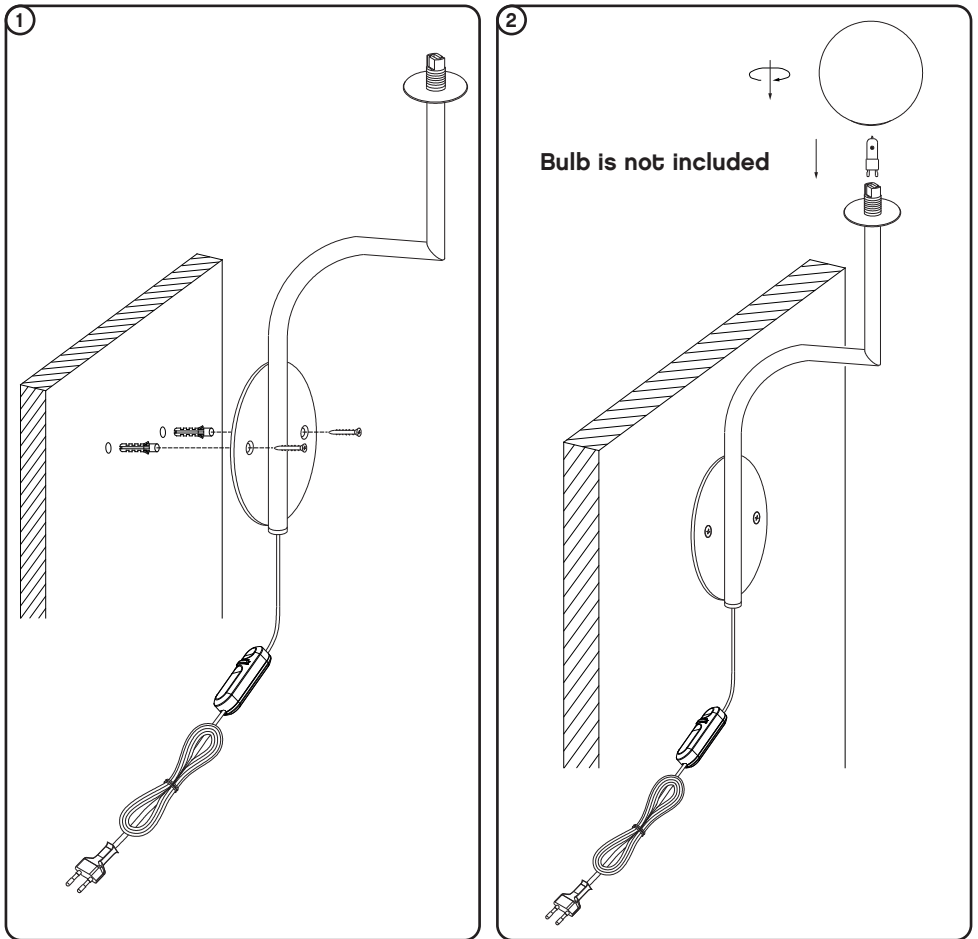
**EXPRESSIVE.**

**SOPHISTICATED.**

**RELEVANT.**

**INFORMED.**

# ASSEMBLE



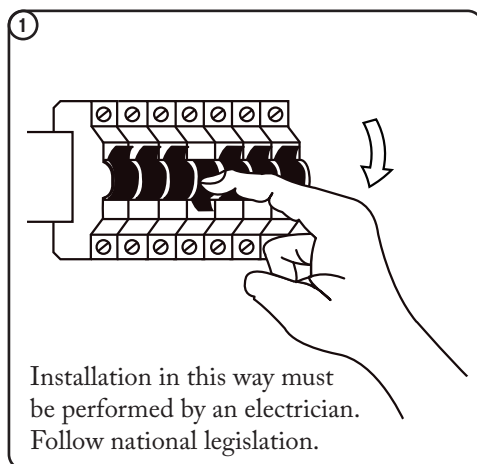
Plug in the power supply of AC 230V 50/60Hz;  
Max Watt 20W G9 LED Bulb  
The light source can easily be changed by the end user

Cleaning instructions:  
Wipe with a dry cloth



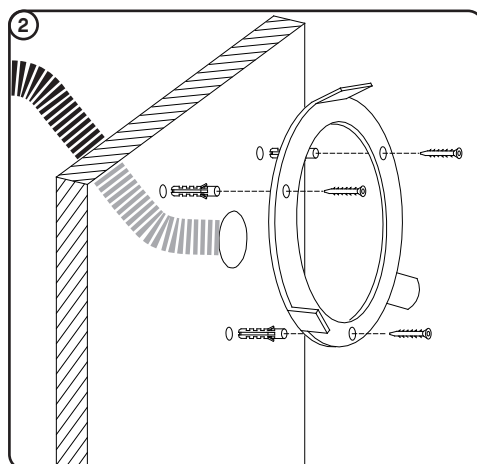
# ASSEMBLE FIXED INSTALLATION

1

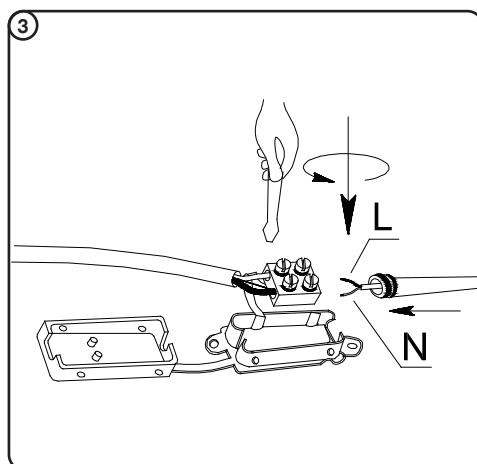


Installation in this way must be performed by an electrician. Follow national legislation.

2



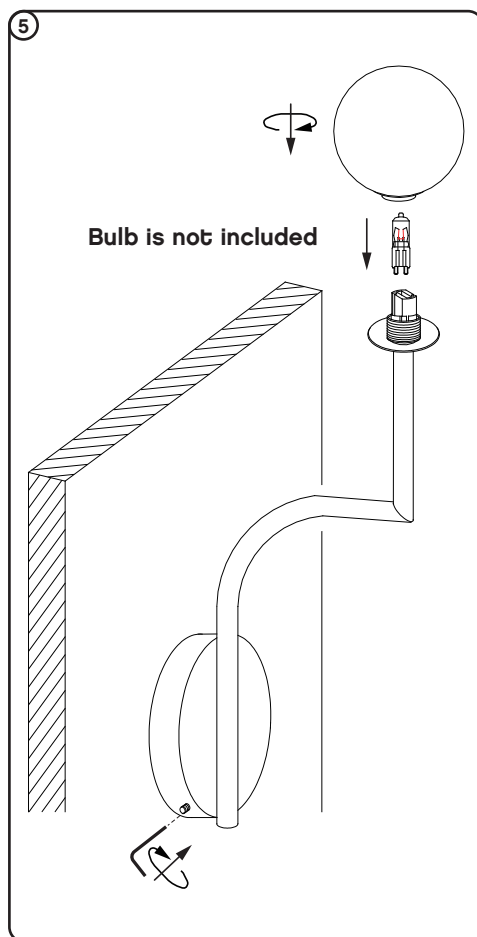
3



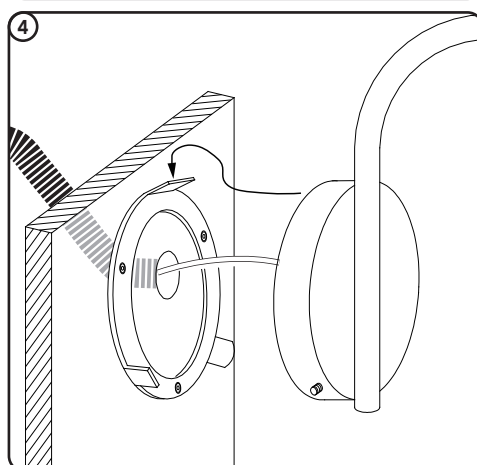
L  
N

5

Bulb is not included



4



**EN** Installation instruction

**CAUTION: DISCONNECT POWER**

Always shut off power at the circuit breaker or disconnect fuse when installing or repairing this or any other electric appliance. Failure to do so may result in severe injury.

1. Make sure the bulb does not touch the shade
2. If the external flexible cable or cord of this lamp is damaged, it shall be exclusively replaced by the manufacturer, the service agent or a similar qualified person in order to avoid a hazard.

**SV** Installationsanvisning

**VARNING: BRYT STRÖMMEN**

Se till att lampan är spänningslös innan installationen påbörjas. Underlåtenhet att göra detta kan leda till allvarlig personskada.

1. Säkerställ att ljuskällan inte rör skärmen
2. Om sladden eller någon kabel till lampan är skadad får utbyte av delar endast utföras av person med rätt kvalifikationer för att undvika att man utsätter sig för fara.

**DE** Installationsanweisung

**VORSICHT: TRENNEN SIE DIE STROMVERSORGUNG**

Schalten sie die stromversorgung aus stellen sie sicher, dass die lampe stromlos ist, bevor sie mit der installation beginnen. Andernfalls kann es zu schweren verletzungen kommen.

1. Stellen sie sicher, dass die glühbirne den schirm nicht berührt
2. Wenn das externe flexible kabel dieser leuchte beschädigt wird, wenden sie sich ausschließlich an den hersteller, seinen kundendienst oder eine ähnlich qualifizierte person, um eine gefährdung zu vermeiden.

**FI** Asennusohje

**VAROITUS: KATKAISE VIRTA**

Ennen asennusta varmista ettei valaisimessa ole virtaa. Jos näin ei tehdä seurauksena voi olla vakavia vammoja.

1. Varmista ettei valonlähde ole kosketuksessa varjostimeen
2. Jos jokin valaisimeen kytketyistä johdoista on vahingoittunut, niin vaaran välttämiseksi vahingoittuneiden osien vaihdon saa suorittaa ainoastaan vaadittavan pätevyyden omaava henkilö.

**FR** Instructions d'installation

**MISE EN GARDE: DÉCONNECTER L'ALIMENTATION**

Coupez toujours l'alimentation au disjoncteur ou débranchez le fusible lors de l'installation ou de la réparation de cet appareil ou de tout autre appareil électrique. Ne pas le faire peut entraîner de graves blessures.

1. Assurez-vous que l'ampoule ne touche pas l'abat-jour
2. Si le câble de ce luminaire est endommagé, il doit être remplacé exclusivement par le fabricant ou par une personne qualifiée afin d'éviter tout incident.

**ES** Instrucciones de instalación

**PRECAUCIÓN: DESCONECTE LA ENERGÍA**

Siempre corte la energía en el disyuntor o desconecte el fusible al instalar o reparar este o cualquier otro aparato eléctrico. No hacerlo puede resultar en lesiones graves.

1. Asegúrese de que la bombilla no toque la pantalla
2. Si el cable exterior flexible o el cordón de esta luminaria está dañado, debe ser sustituido exclusivamente por el fabricante o en su defecto por su servicio técnico o por un profesional cualificado similar para evitar posibles riesgos.

**pholc**