



ASSEMBLY INSTRUCTION

WOUD

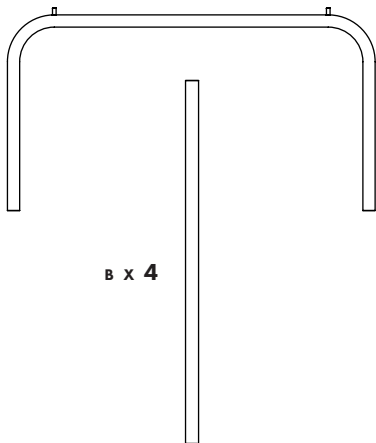
THE O&O RACK IS DESIGNED TO
ADAPT TO YOUR INDIVIDUAL NEEDS
FOR STORAGE OF CLOTHING. IT IS
INSPIRED BY TWO DIFFERENT-SHAPED
O-RINGS, WHICH CAN BE ARRANGED AS
DESIRED IN A VARIETY OF POSITIONS.
THE DESIGN INTENDS TO SERVE IN DAILY
LIFE AS A FLEXIBLE OBJECT WHERE YOUR
CLOTHES AND ACCESSORIES WILL ALWAYS
FIND THEIR PLACE.

A handwritten signature in black ink, appearing to read 'C. Rathmann'. The signature is fluid and cursive, with a large initial 'C' and a long, sweeping tail.

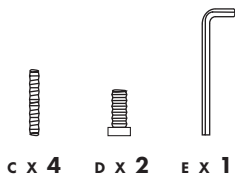
CHRISTINE RATHMANN

LARGE

A X 1



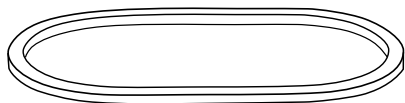
B X 4



C X 4

D X 2

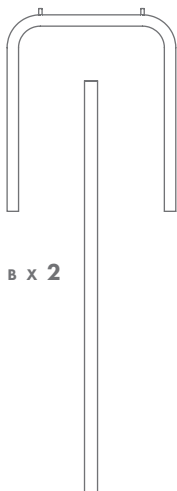
E X 1



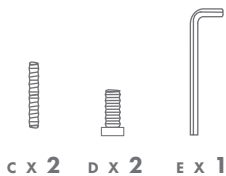
F X 1

SMALL

A X 1



B X 2



C X 2

D X 2

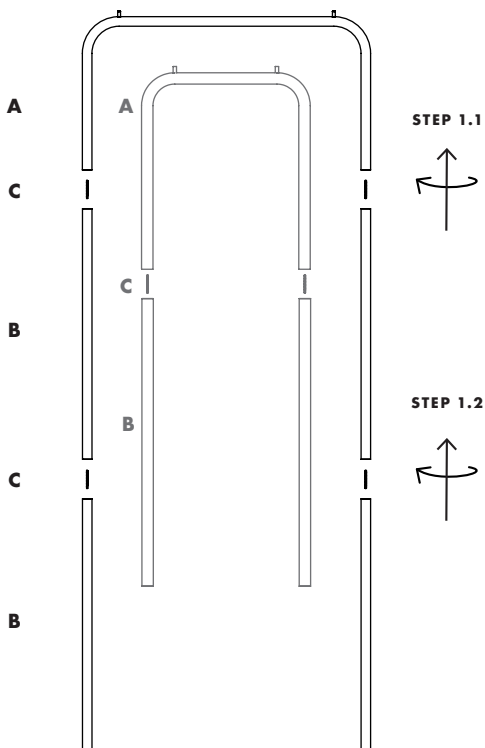
E X 1



F X 1

LARGE
SMALL

MOUNT THE THREE ELEMENTS OF THE RACK TOGETHER

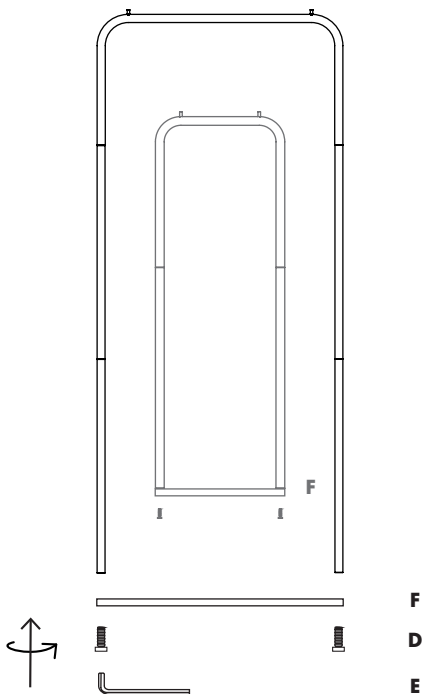


LARGE

SMALL

STEP 2

MOUNT THE RACK TO THE BASE



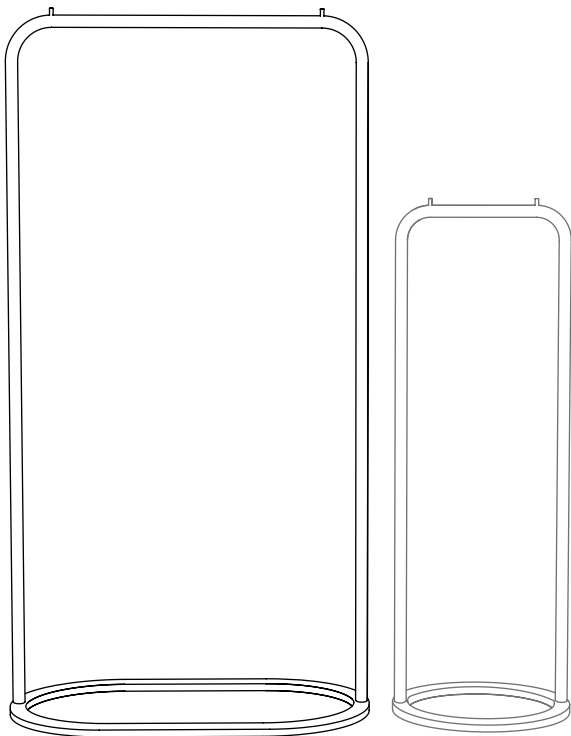
LARGE

SMALL

STEP 3

ENJOY IT

(RETIGHTEN SCREWS IF NEEDED OVER TIME)



DESIGNED BY
CHRISTINE RATHMANN