

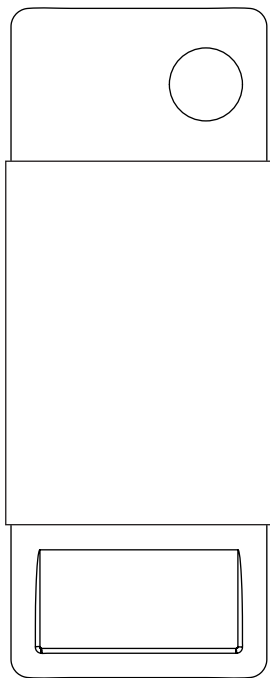
BAENK

ASSEMBLY INSTRUCTION

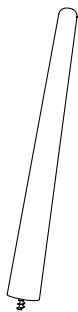
WOUD

**BAENK IS A MULTIFUNCTIONAL BENCH
MADE OF CLEAN MINIMALISTIC LINES.
THE SHAPE OF THE BENCH IS INSPIRED BY
OLD CARDBOARD EMBROIDERY THREAD
BOBBINS. BASED ON THIS INSPIRATION,
THE MIDDLE PIECE HAS BEEN UPHOLSTERED
TO PROVIDE INCREASED COMFORT. WITH A
SEAT, SHELF AND CIRCULAR-SHAPED HOLE
ON THE SIDE SUITABLE AN UMBRELLA OR
PLANT, THE BAENK BENCH IS READY TO BE
USED IN MULTIPLE CONTEXTS.**

MAYA BOGH VINDBERG
STUDIO NUR



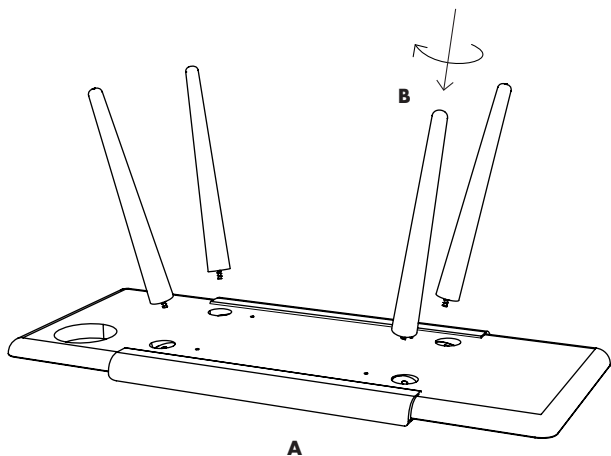
A x 1



B x 4

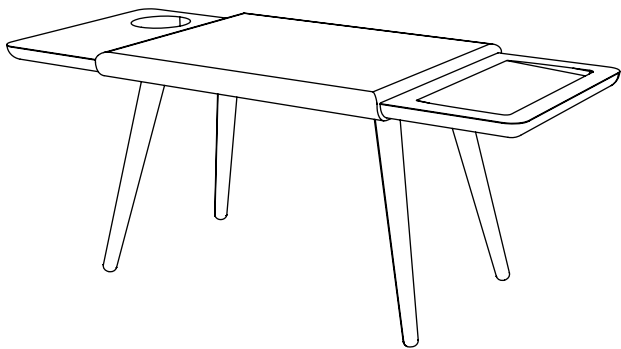
STEP 1

TURN THE BENCH TOP UPSIDE DOWN AND
ATTACH THE FOUR LEGS TO THE BENCH



STEP 2

FLIP IT AROUND - AND ENJOY.



DESIGNED BY
STUDIO NUR