

Easy Sofa

/ Verner Panton 1963

Description

Four seated circular shaped sofa offering a generous seating space and large u-shaped enveloping backrests that doubles as armrests as you change the seating position.

Product category

Furniture

Environment

Indoor

Material

FSC & TSCA certified plywood

HR foam (Cal 117) as standard

CMHR Foam (CRIB 5) upon request

Made to order options

Multiple upholstery options available

COM upholstery

Dimensions

H: 84 cm (31.5")

Ø180 cm (71")

Box dimensions

185 x 185 x 86 cm (73" x 73" x 34")

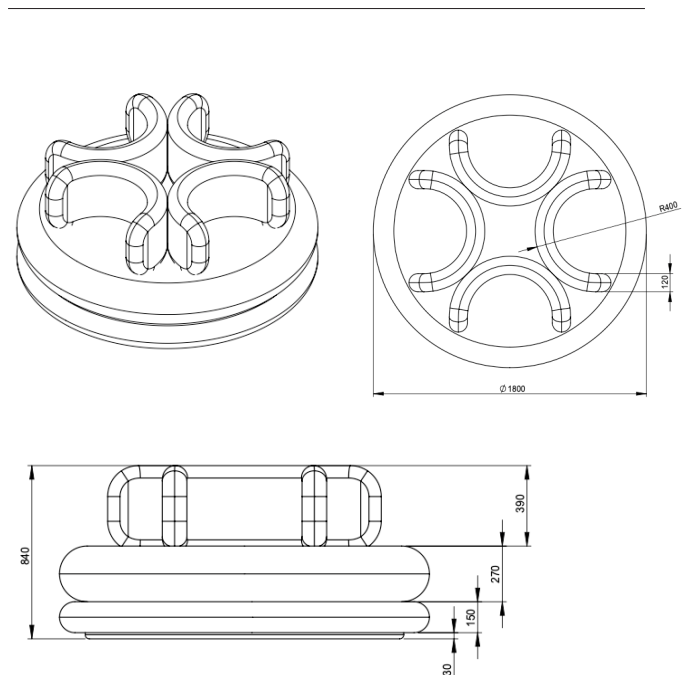
Colli quantity

1

Weight

Product: 140 kg

Incl. Packaging: 158 kg



VERPAN