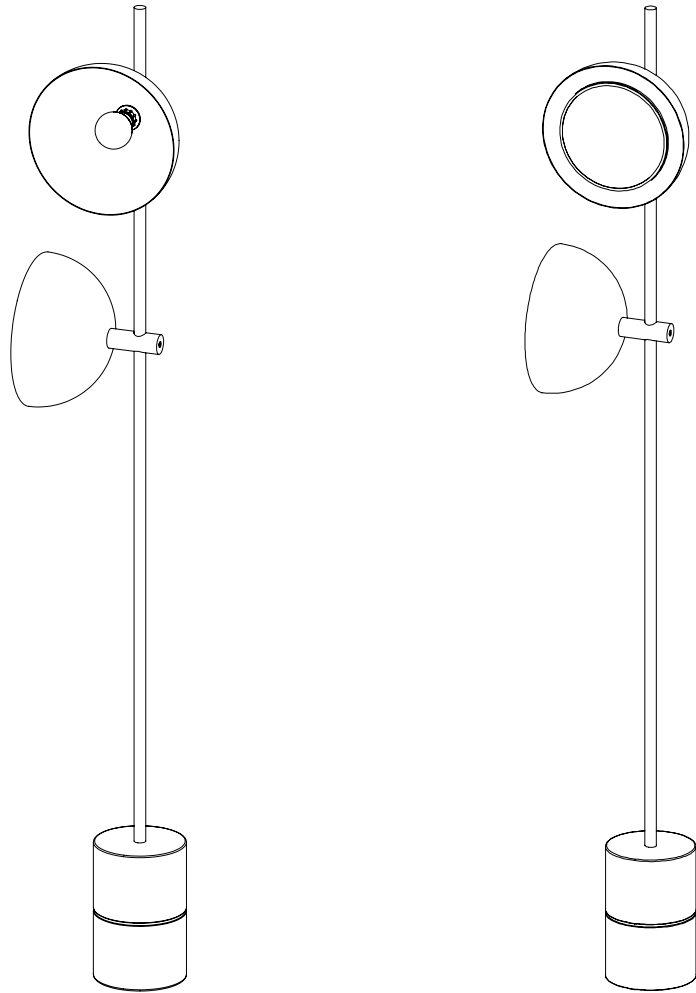


HANDVÄRK

F U R N I T U R E

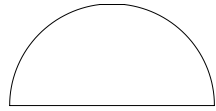
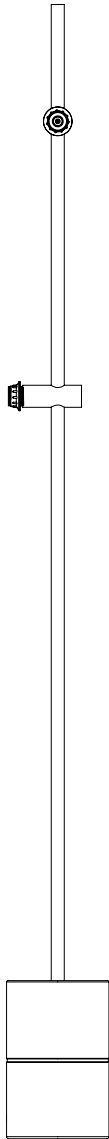


Studio Floor Lamp Assembly Instructions

HANDVÄRK

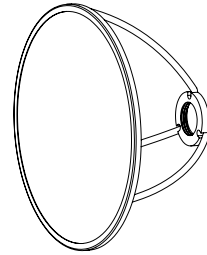
F U R N I T U R E

Studio Floor Lamp



x 2

Optional
Diffuser



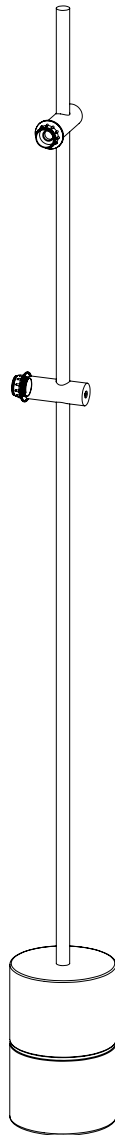
x 2

HANDVÄRK

F U R N I T U R E

Studio Floor Lamp

1

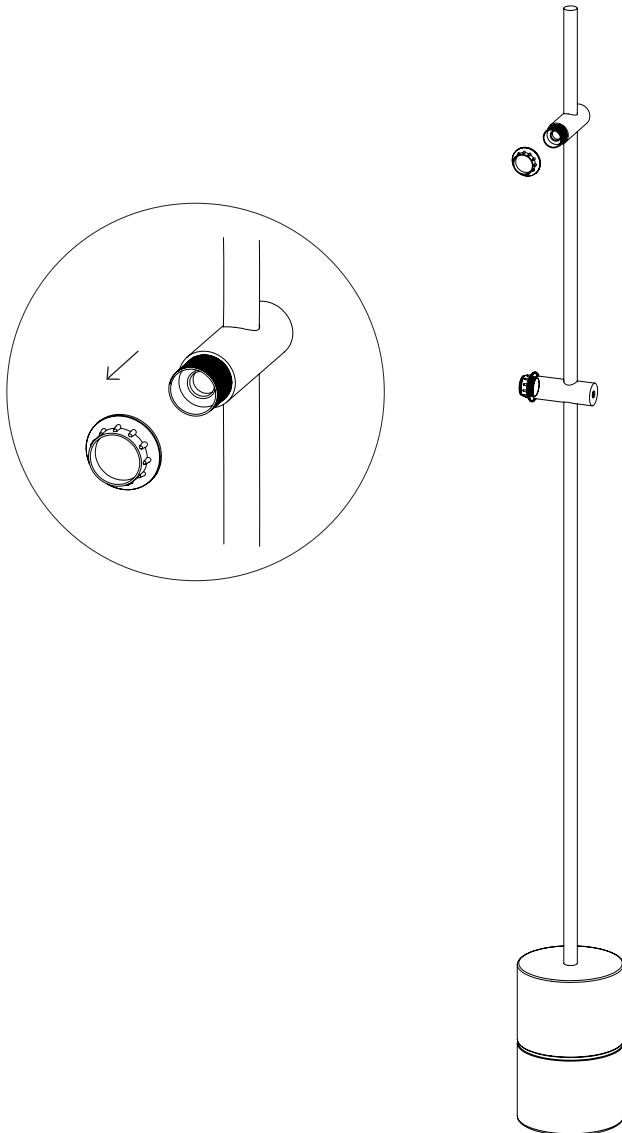


HANDVÄRK

F U R N I T U R E

Studio Floor Lamp

2

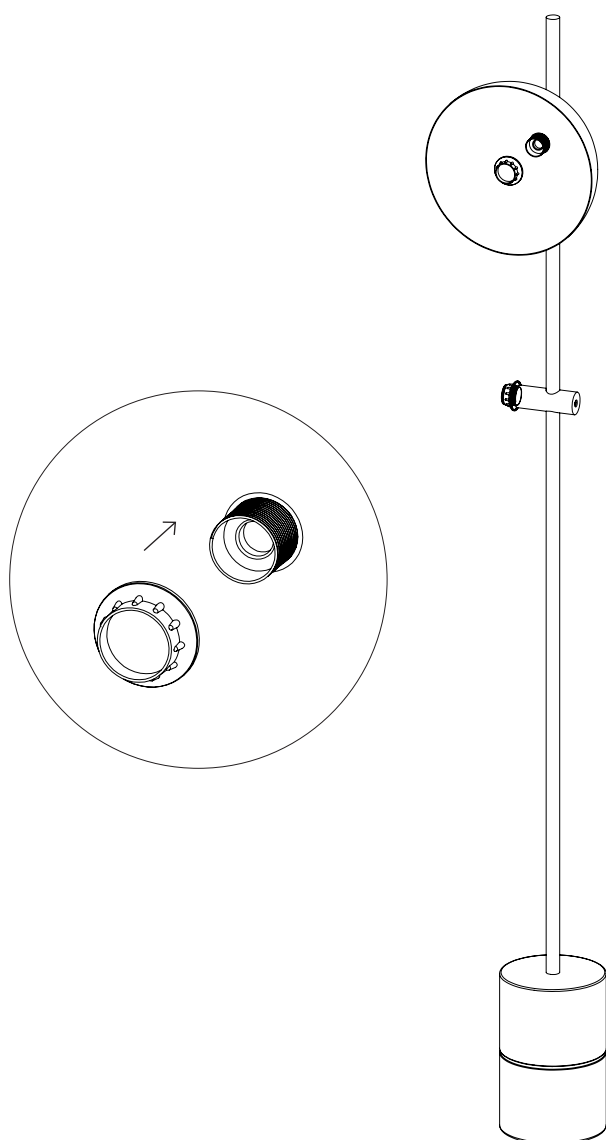


HANDVÄRK

F U R N I T U R E

Studio Floor Lamp

3



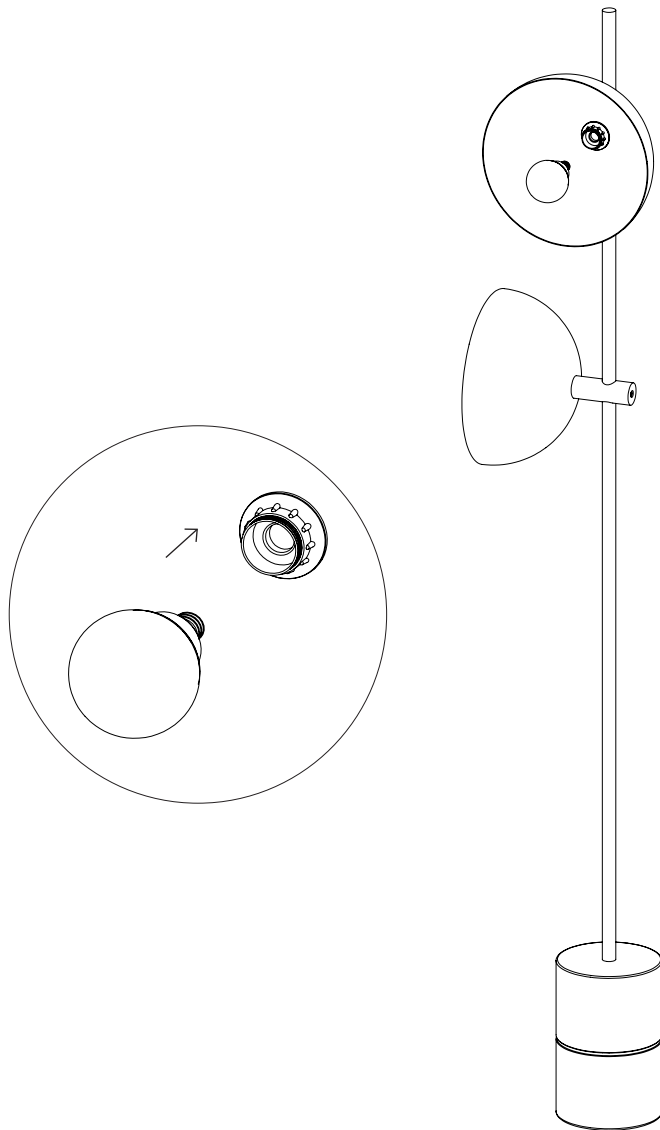
HANDVÄRK

F U R N I T U R E

Studio Floor Lamp

Skip to Step 6 if you have purchased diffusers

4

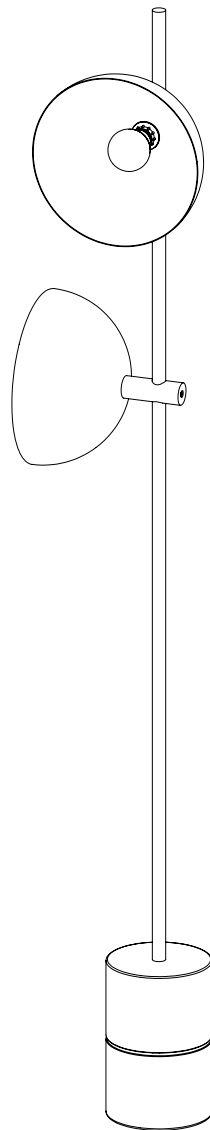


HANDVÄRK

F U R N I T U R E

Studio Floor Lamp

5



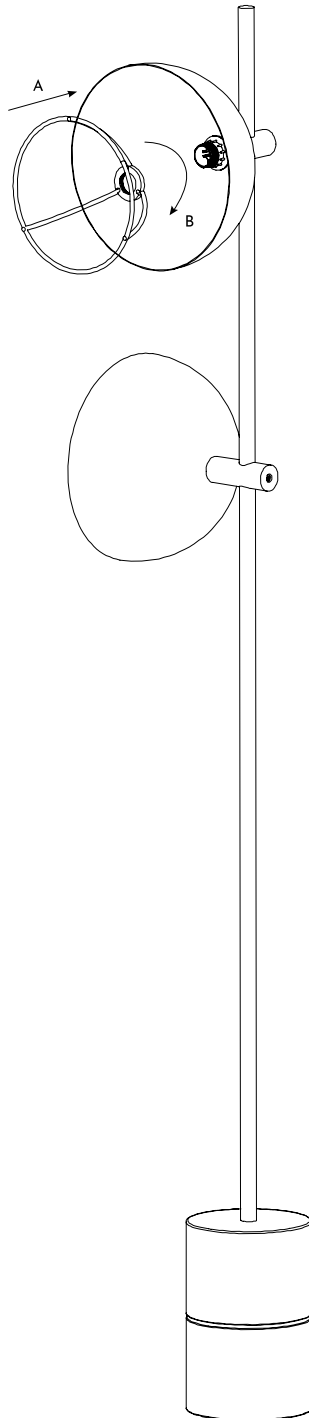
HANDVÄRK

F U R N I T U R E

Studio Floor Lamp

6 Optional Diffuser

Do not screw too
tight

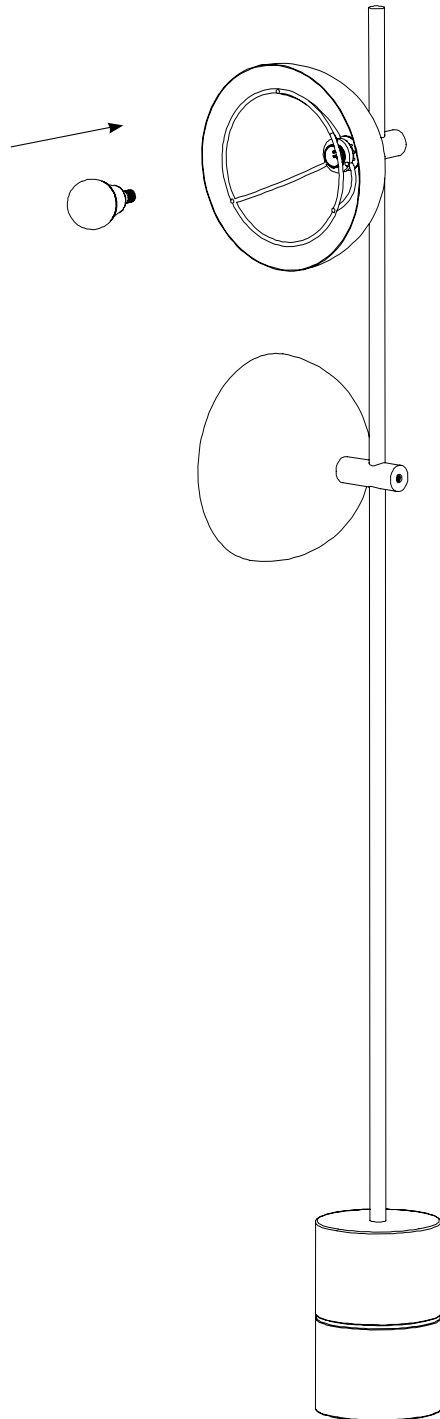


HANDVÄRK

F U R N I T U R E

Studio Floor Lamp

7

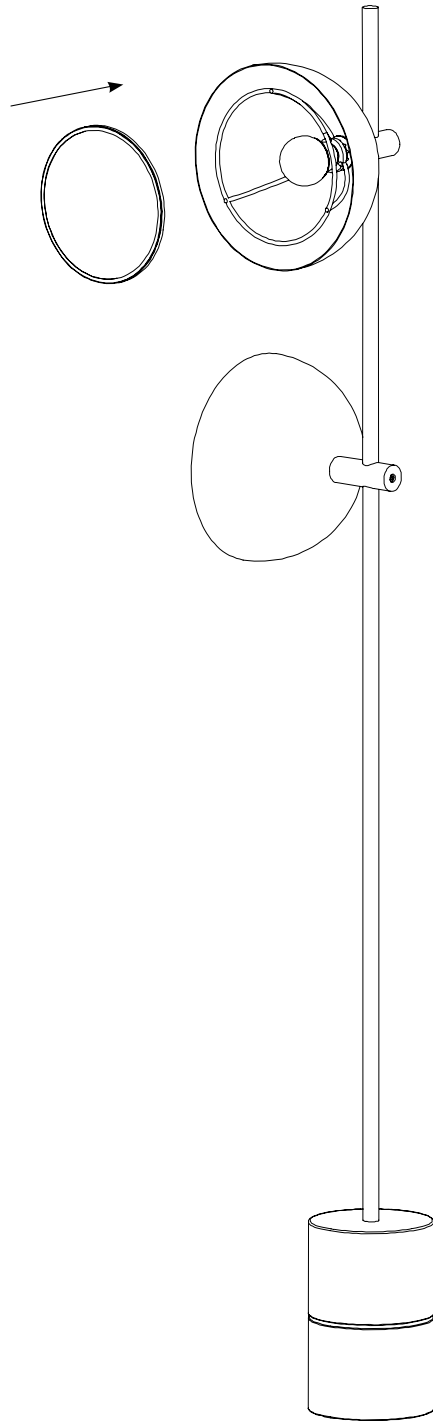


HANDVÄRK

F U R N I T U R E

Studio Floor Lamp

8



HANDVÄRK

F U R N I T U R E

HANDVÄRK ApS | Aarhusgade 136A | 2150 Nordhavn | Copenhagen Denmark
info@handvark.com | +45 31 777 943 | www.handvark.com