

NAKKI

ASSEMBLY INSTRUCTION

WOUD

NAKKI IS A DISTINCTIVE SERIES,
WHICH IS MEANT TO BE A CHEERFUL
PERSONALITY IN THE LIVING ROOM.
THE SERIES HAS AMPLE AND FIRM
PADDING FOR A COMFORTABLE
SEATING EXPERIENCE. ITS SQUARE
FORM AND STRAIGHT LEGS ARE
CONTRASTED WITH ITS SOFT SHAPES.
THE MINIMALISTIC EXPRESSION
GIVES NAKKI ITS CHARACTERISTIC
AND LOUNGY FEEL.

A handwritten signature in black ink, reading "Mika Tolvanen". The signature is fluid and cursive, with the first name "Mika" and the last name "Tolvanen" written in a single continuous stroke.

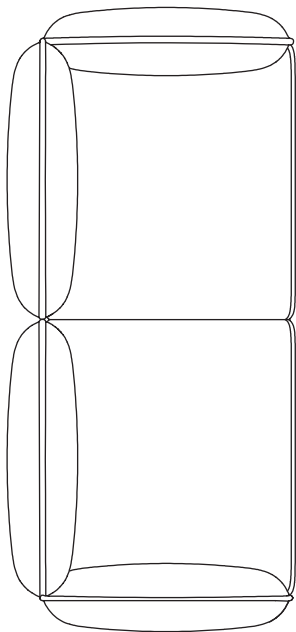
MIKA TOLVANEN

THIS INSTRUCTIONS MANUAL IS VALID FOR:

**NAKKI ONE-SEATER
NAKKI TWO-SEATER
NAKKI THREE-SEATER
NAKKI ARMCHAIR
NAKKI OTTOMAN
NAKKI LONG OTTOMAN
NAKKI BENCH**

ASSEMBLY INSTRUCTION

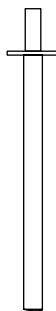
**PLEASE GO THROUGH THE FOLLOWING
STEPS CAREFULLY. RETAIN THIS MANUAL
FOR FUTURE REFERENCE TO ENSURE THAT
YOUR NEW ITEM IS CORRECTLY ASSEMBLED
IN CASE IT SHOULD BE DISASSEMBLED OR
MOVED. WE ARE NOT RESPONSIBLE FOR
ANY FAULTS OR DAMAGES CAUSED BY
NOT FOLLOWING THESE INSTRUCTIONS
CORRECTLY.**



A X 1



D X 1



B X 4*

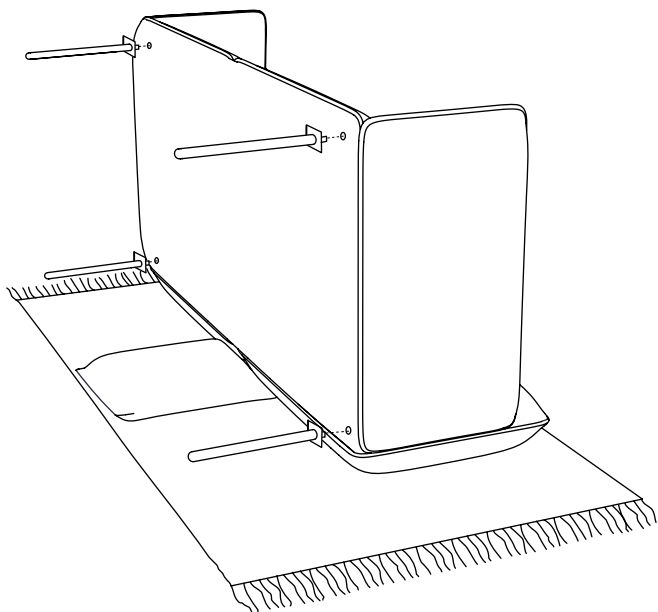


C X 16*

***THREE-SEATER: 6 (B) + 24 (C)**

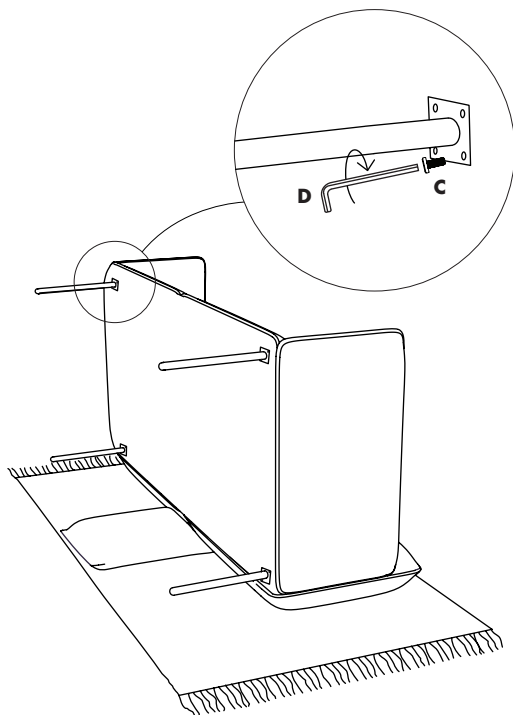
STEP 1

PLACE NAKKI ON A SOFT CARPET OR RUG.
MOUNT THE METAL LEGS IN THE FOUR HOLES.



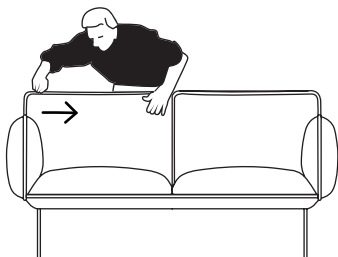
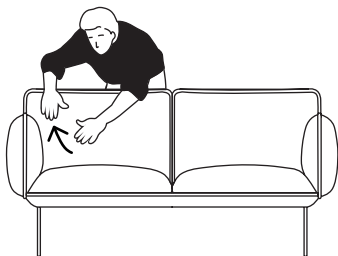
STEP 2

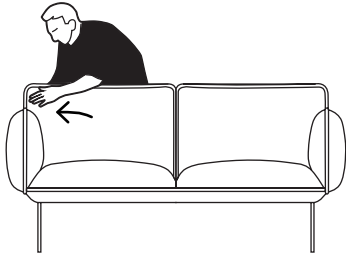
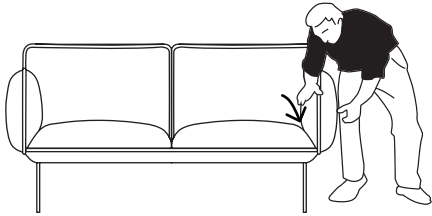
TIGHTEN THE SCREWS BOLTS WITH THE HEX KEY.
THEN LIFT AND FLIP THE SOFA.



NOTICE

WE RECOMMEND THAT YOU MASSAGE YOUR SOFA AS SHOWN BELOW TO STRETCH THE FABRIC AND AVOID COMPRESSION OF THE FOAM.





DESIGNED BY
MIKA TOLVANEN