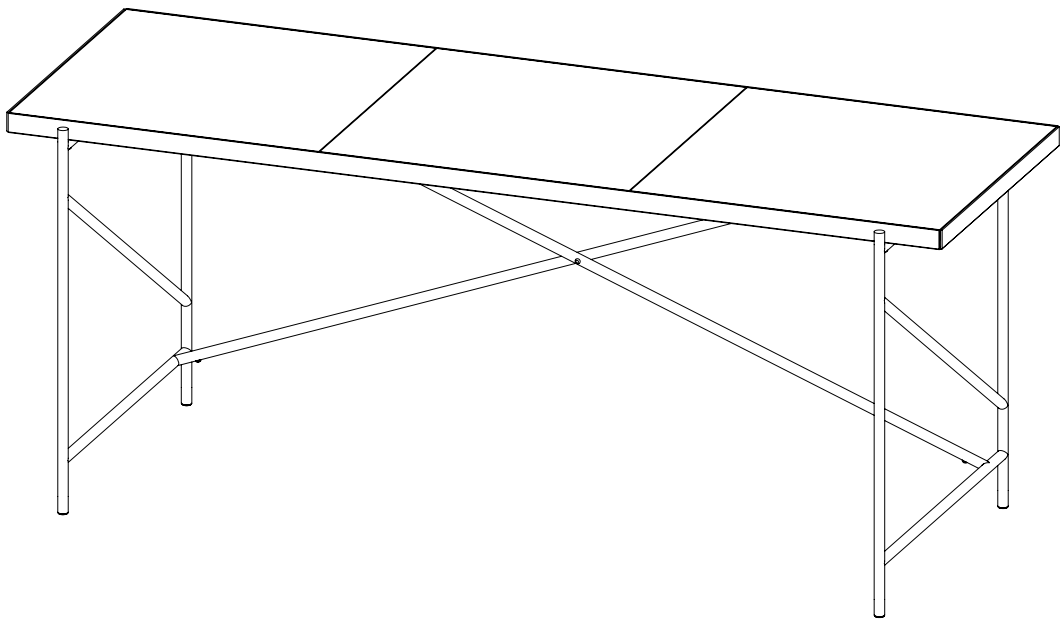


# HANDVÄRK

F U R N I T U R E

---



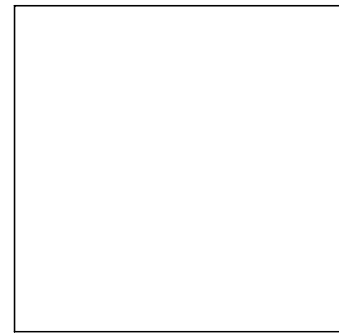
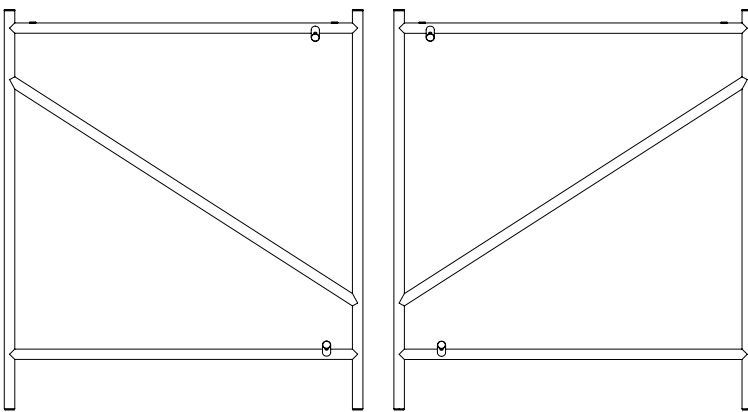
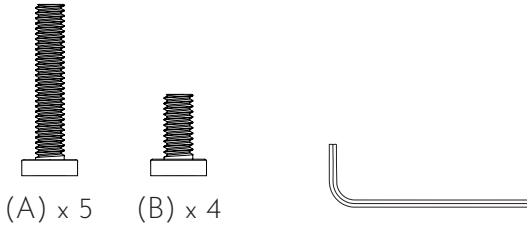
## Desk Assembly Instructions

---

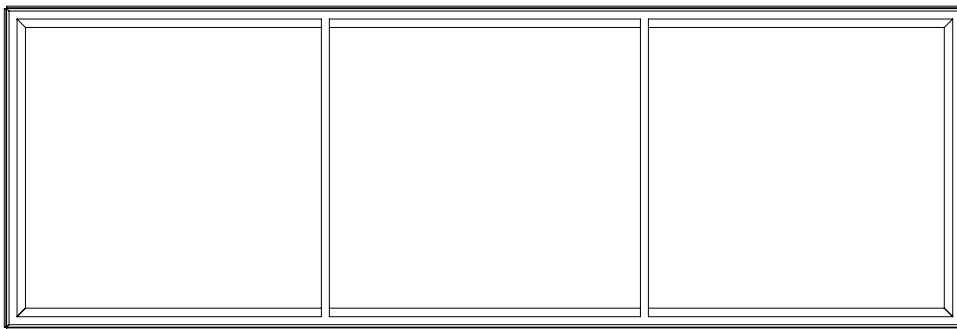
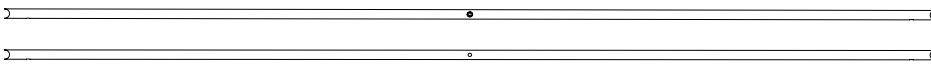
# HANDVÄRK

F U R N I T U R E

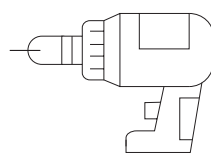
Desk



x 3



Recommendation



Hand Drill

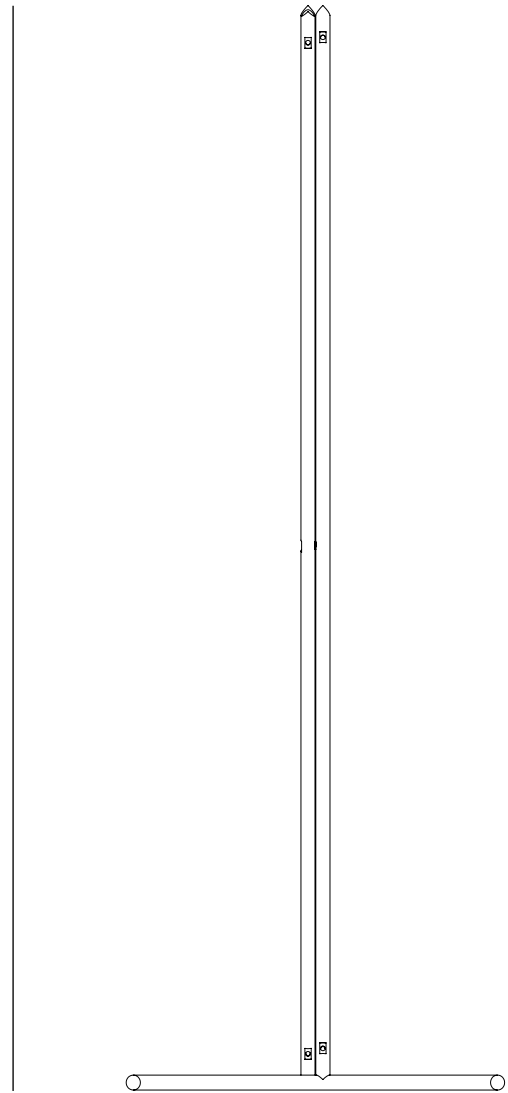
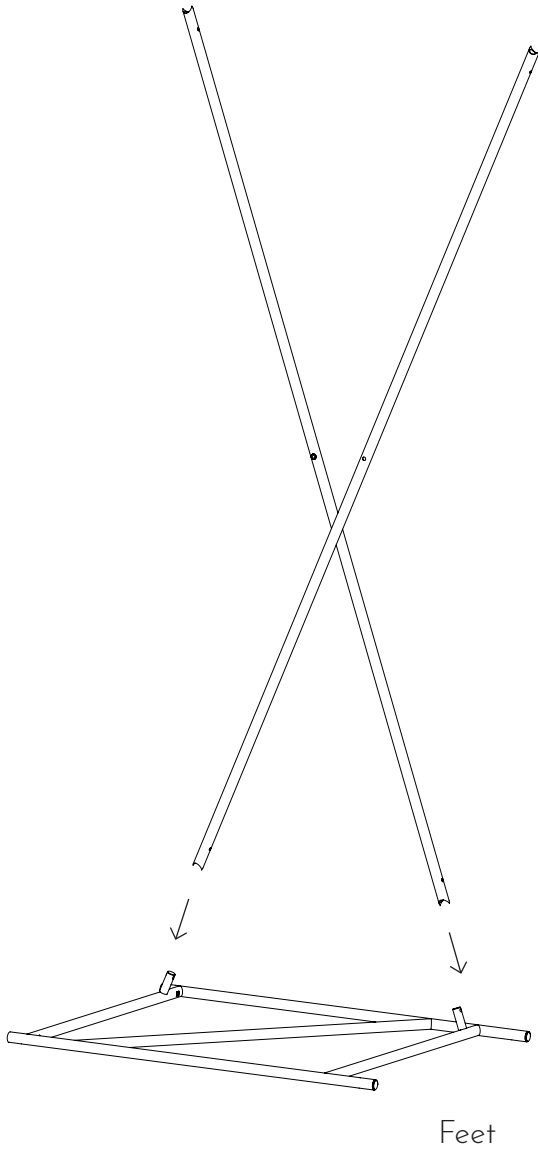
# HANDVÄRK

F U R N I T U R E

Desk

---

1



Place the cross bars on the taps so all holes are pointing towards the feet. The bars should not cross over each other.

---

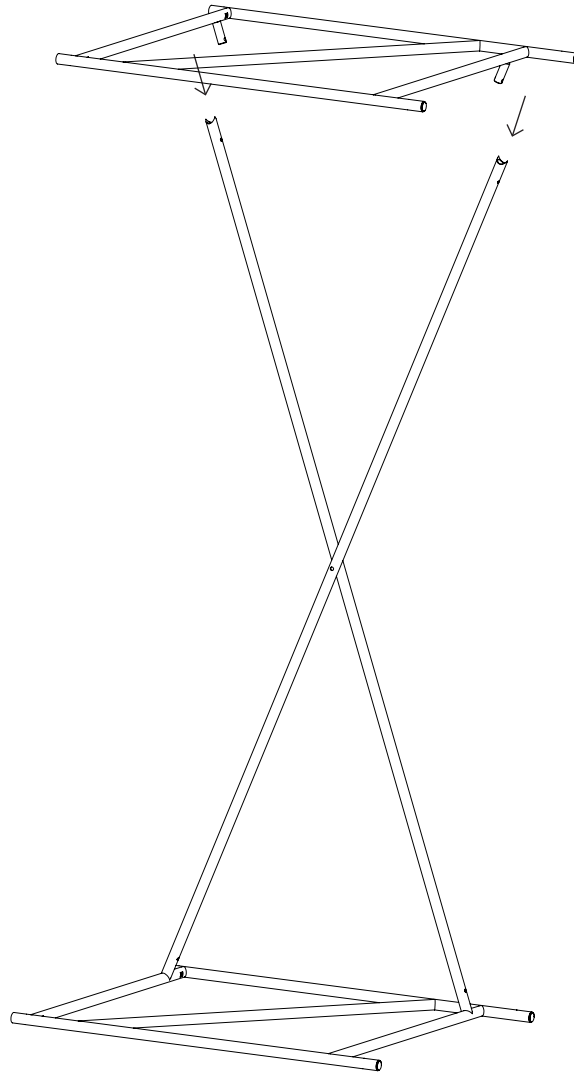
# HANDVÄRK

F U R N I T U R E

Desk

---

2



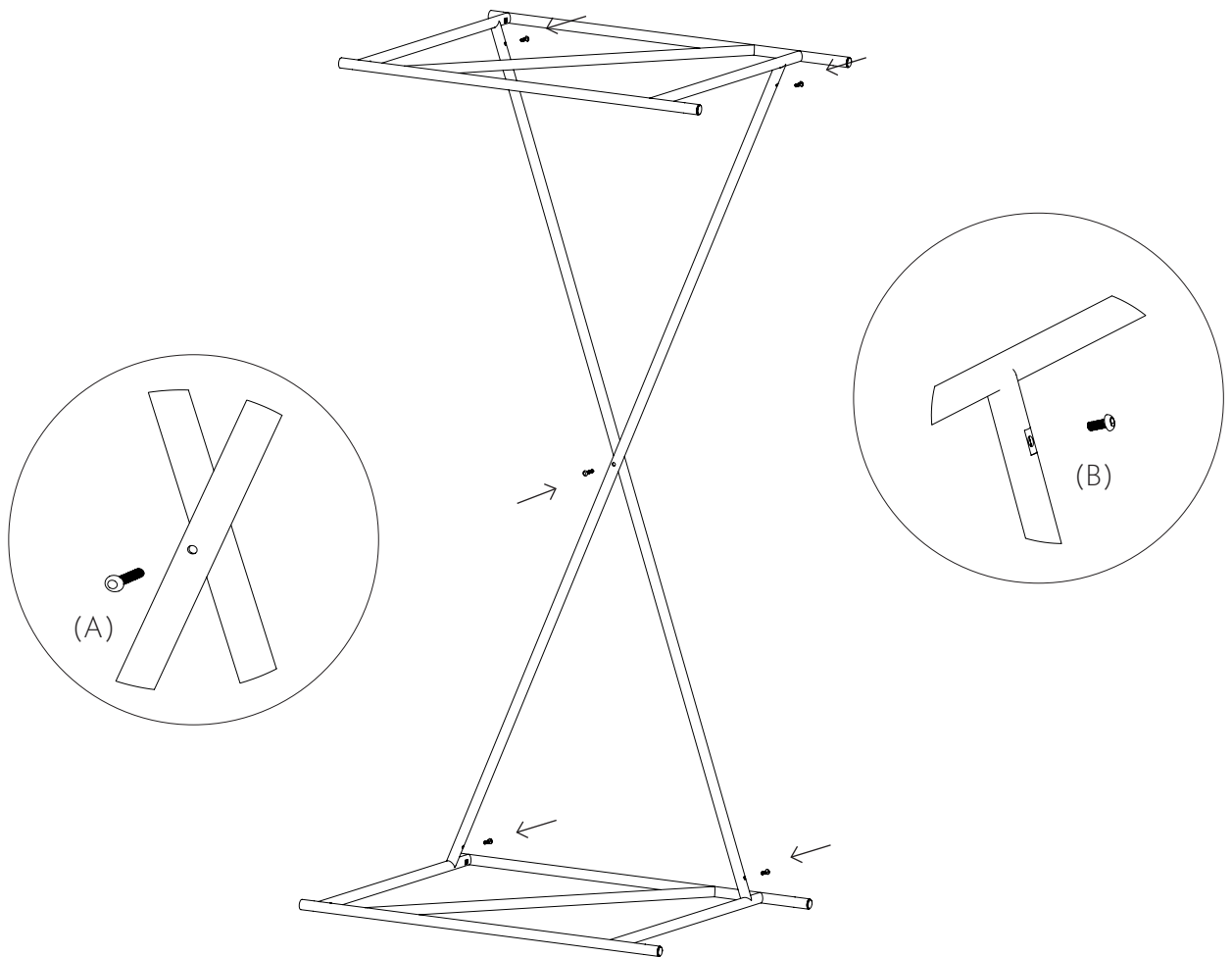
# HANDVÄRK

F U R N I T U R E

Desk

---

3



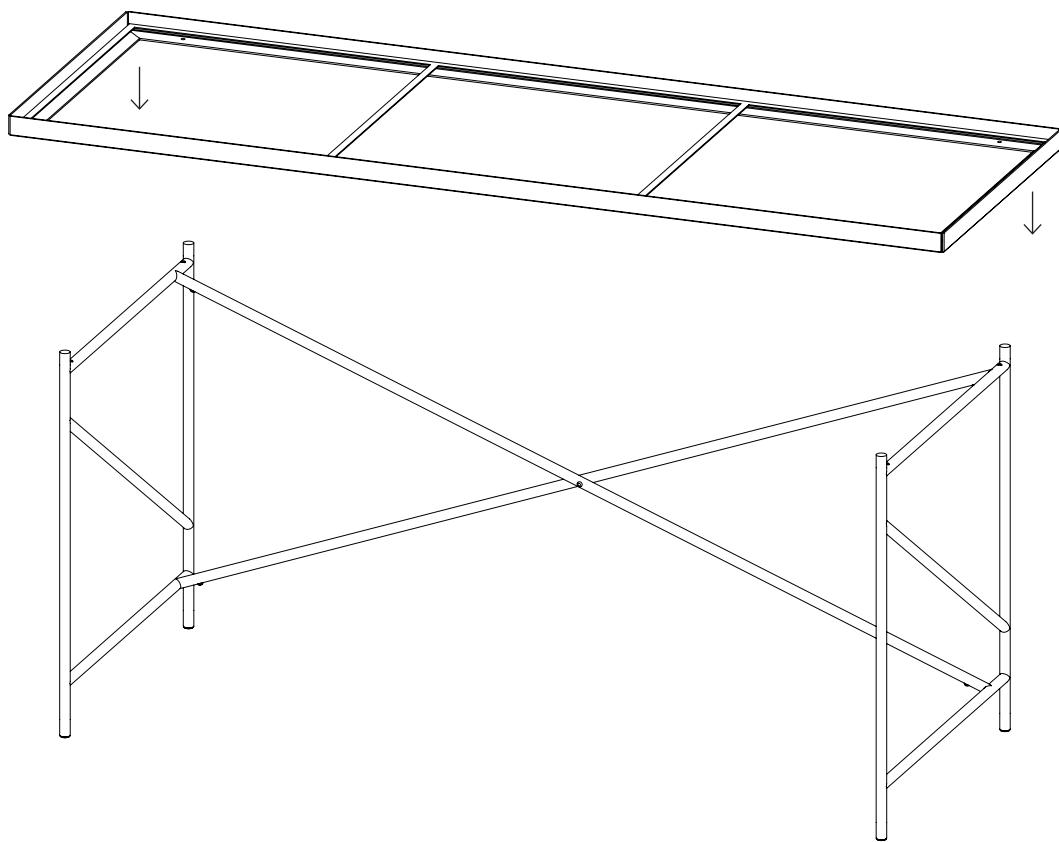
# HANDVÄRK

F U R N I T U R E

Desk

---

4

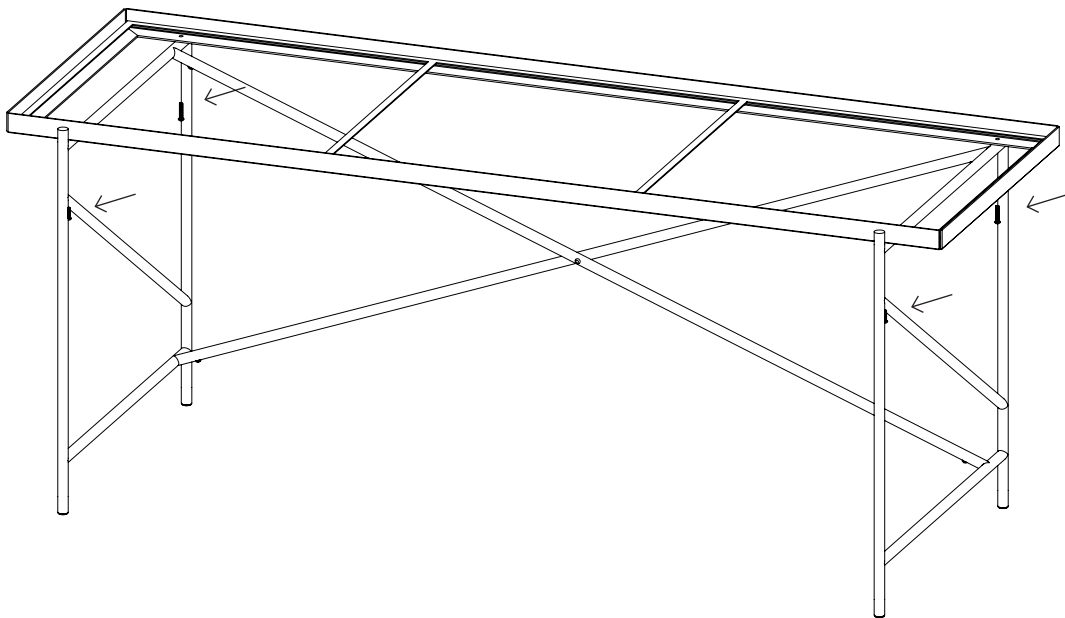
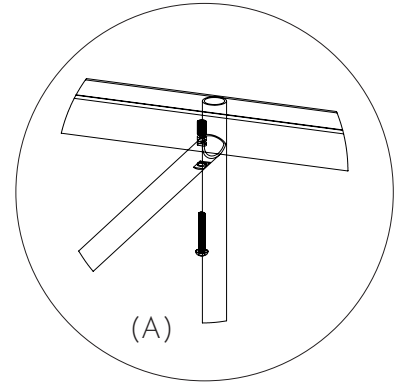


# HANDVÄRK

F U R N I T U R E

Desk

5



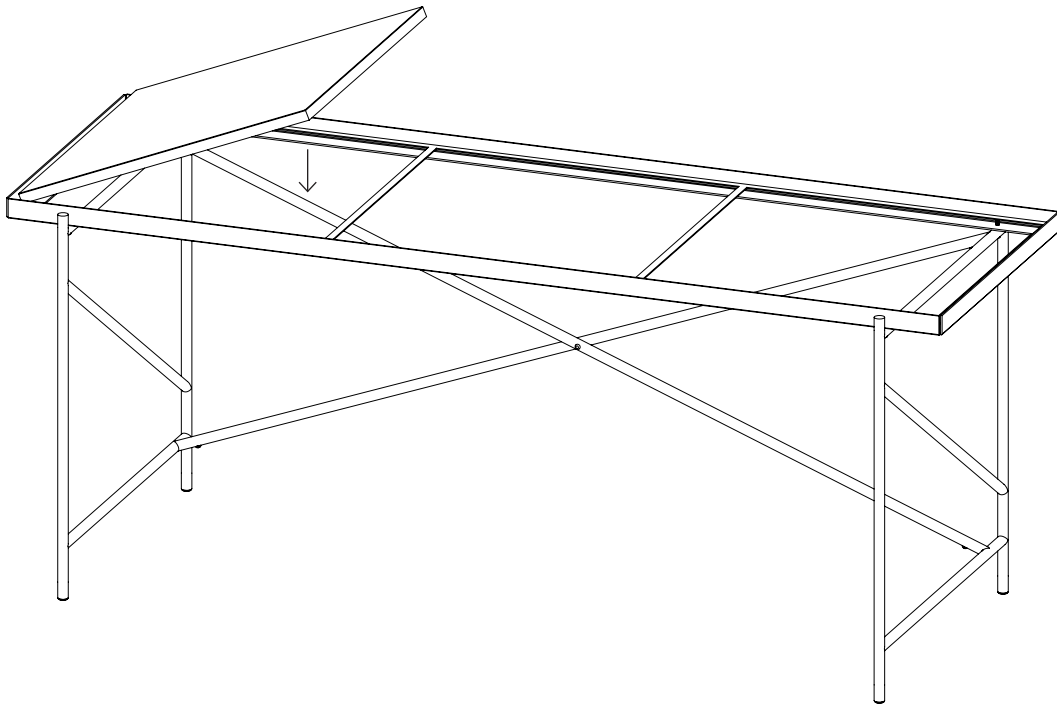
# HANDVÄRK

F U R N I T U R E

Desk

---

6





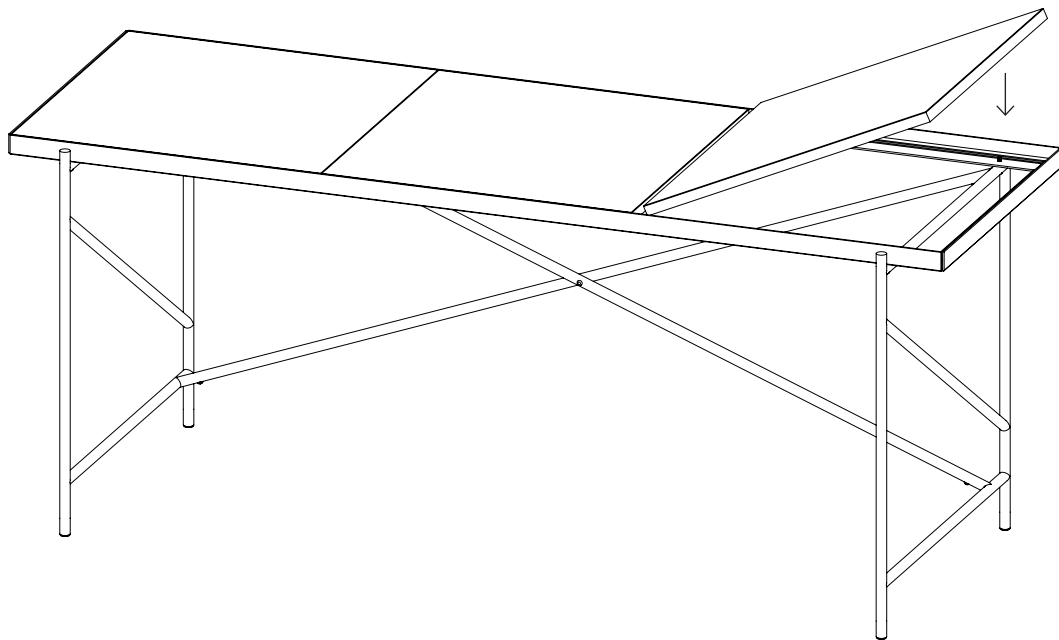
# HANDVÄRK

F U R N I T U R E

Desk

---

7



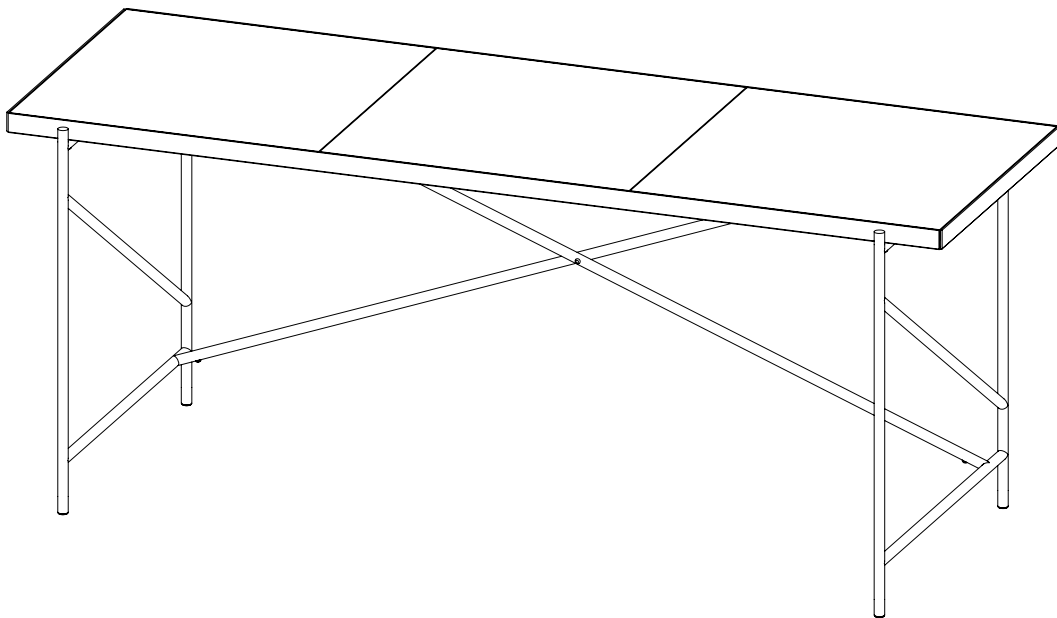
# HANDVÄRK

F U R N I T U R E

Desk

---

8



# HANDVÄRK

F U R N I T U R E

---

---

# HANDVÄRK

F U R N I T U R E

HANDVÄRK ApS | Aarhusgade 136A | 2150 Nordhavn | Copenhagen Denmark  
info@handvark.com | +45 31 777 943 | www.handvark.com