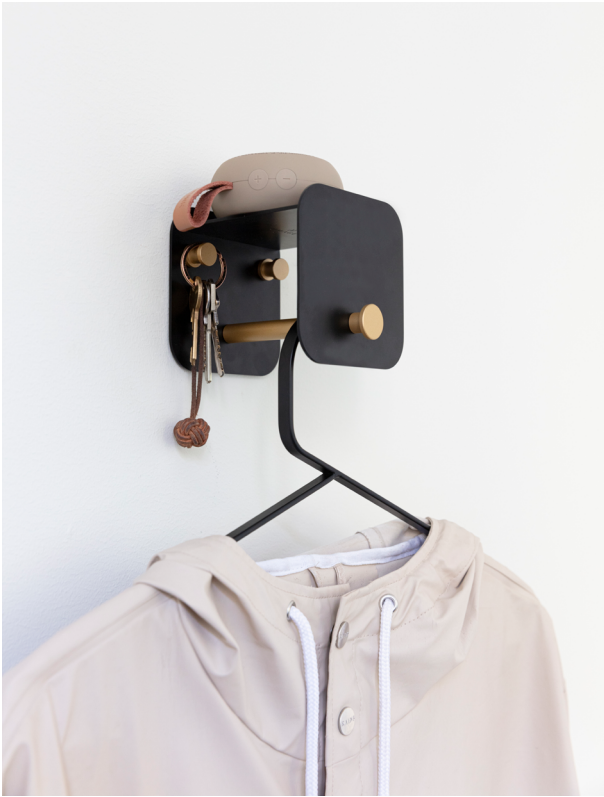


HANG IN THERE | WALL HANGER

Designed by Thor Høy



DIMENSIONS

W x H x D: 10 x 10 x 11.3 cm / 3.9 x 3.9 x 4.4"



MATERIAL

Steel



CONSTRUCTION

Steel: Powder coated.



PACKAGING DIMENSIONS (L x W x H)

11.6 x 11.6 x 11.1 cm / 4.6 x 4.6 x 4.4"



MEDIA KIT

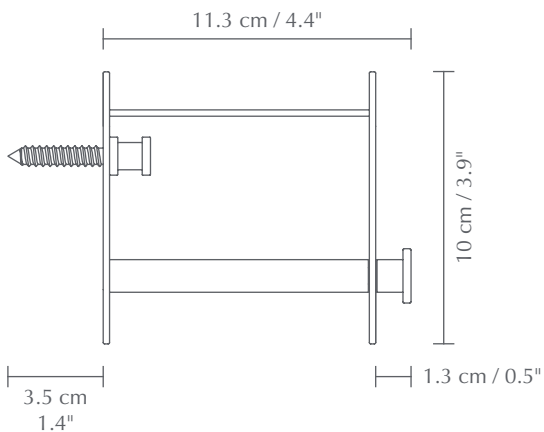
Photos and press material
Download at umage.presscloud.com



ORDERING INFORMATION

Hang In There

#5240



THE PERFECT ADD-ON

Hang In There is a multifunctional and flexible wall hanger for all your entrance essentials.

Hang In There is a 3in1 product that combines multiple storage solutions of both a small shelf, a rack and hooks in one, making it perfect for the small apartment or for rooms where the space is tight.

The combination of black steel and elegant brushed brass adds an exclusive touch to the design and fits into any interior. The functional, yet refined design will be the perfect add-on to an elegant hallway or small office space.

Find more info on our website umage.com

Colour variations



black
(RAL: 9005)

