

GAP

ASSEMBLY INSTRUCTION

WOUD

**WHEN DESIGNING THE GAP PENDANTS,
MY FOCUS WAS TO CREATE A SIMPLE YET
ELEGANT LIGHT SOURCE THAT COULD FIT
IN MANY SETTINGS. THE IDEA WITH THE
GAP IS TO ALLOW THE LIGHT TO ESCAPE
AND TO CREATE A PLAYFUL AND GRAPHIC
REFLECTION - AND PUTTING MORE GAP
PENDANTS TOGETHER WILL INCREASE THIS
EXPERIENCE. HOPE YOU WILL ENJOY IT.**

MAYA BOGH VINDBERG
NUR DESIGN

ASSEMBLY INSTRUCTION

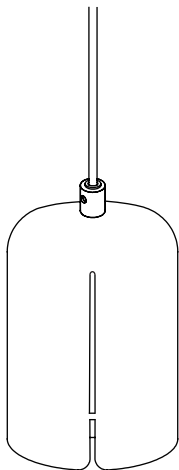
**PLEASE GO THROUGH THE FOLLOWING
STEPS CAREFULLY. RETAIN THIS MANUAL
FOR FUTURE REFERENCE TO ENSURE THAT
YOUR NEW ITEM IS CORRECTLY ASSEMBLED
IN CASE IT SHOULD BE DISASSEMBLED OR
MOVED. WE ARE NOT RESPONSIBLE FOR
ANY FAULTS OR DAMAGES CAUSED BY
NOT FOLLOWING THESE INSTRUCTIONS
CORRECTLY.**

THIS ASSEMBLY INSTRUCTION IS VALID FOR:

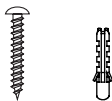
GAP PENDANT (SHORT)

GAP PENDANT (TALL)

GAP PENDANT (ROUND)



A X 1



B X 2

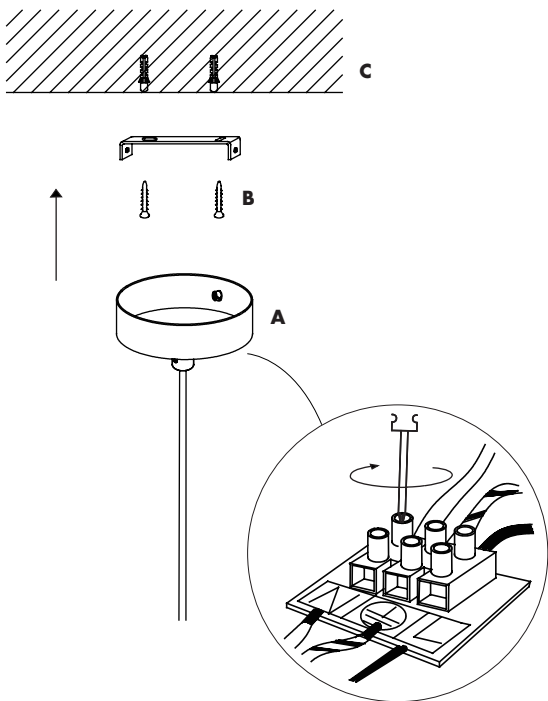
C X 2



NOT INCLUDED

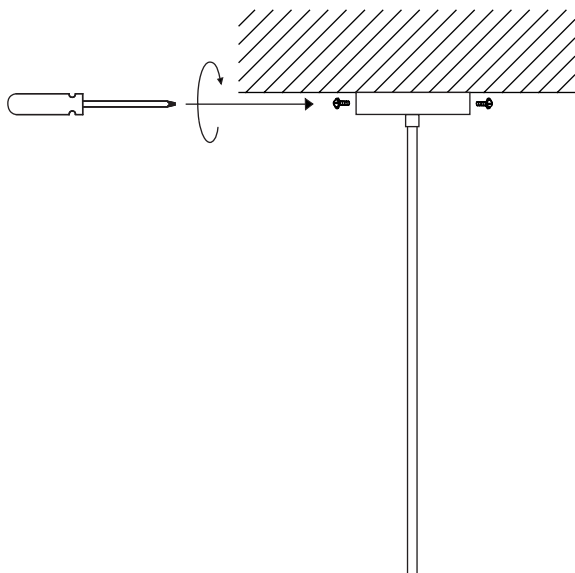
STEP 1

DECIDE THE LENGTH OF THE CORD AND MOUNT THE CEILING ROSE BRACKET USING THE WALL PLUGS AND SCREWS.



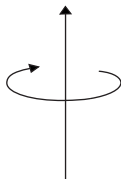
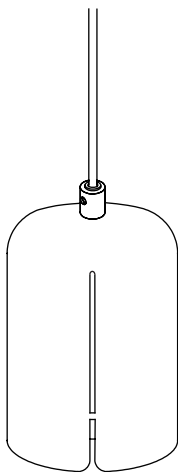
STEP 2

MOUNT THE CEILING ROSE TO THE BRACKET
USING THE SMALL SCREW BOLTS.



STEP 3

INSERT A SUITABLE LIGHT BULB.



SAFETY INSTRUCTIONS



IF THE EXTERNAL FLEXIBLE CABLE OR CORD OF THIS LUMINAIRE IS DAMAGED, IT SHALL BE EXCLUSIVELY REPLACED BY THE MANUFACTURER OR SIMILAR QUALIFIED PERSON IN ORDER TO AVOID A HAZARD.

THE LAMP IS ONLY INTENDED FOR INTERIOR USE.

LAMP EXTERIOR CAN GET HOT AFTER PROLONGED USE.

ENSURE BULB HAS FULLY COOLED BEFORE ATTEMPTING TO REMOVE IT.

PROTECT FROM CONTACT WITH LIQUIDS.

DO NOT PLACE THE CABLE IN REACH OF SMALL CHILDREN OR ANYWHERE THERE IS A RISK OF FALLING OVER IT.

DESIGNED BY
NUR DESIGN