

SERIES 430 BAR STOOL 75CM

Assembly Instruction



Before you get started



Read the entire manual
before mounting

NOTICE: The Series 430 bar stool is for indoor use only.

Maintenance:

FRAME: wipe off with a damp cloth. Grease stains can be removed with soapy water.

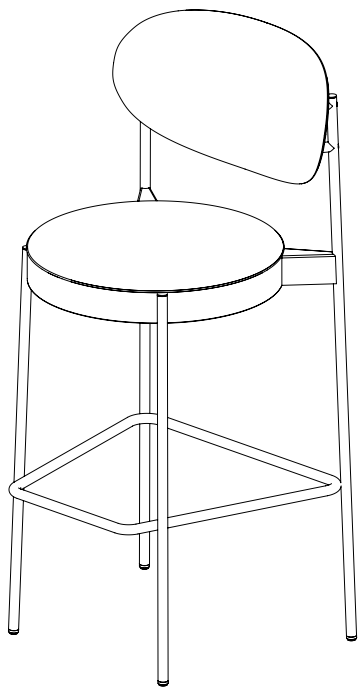
FABRIC: Regular cleaning is important in order to keep the upholstery looking its best and to prolong its life. Dust and dirt wear the textile and also reduce its fire-retardant properties. Vacuum frequently on medium power, ideally every week.

Remove non-greasy stains by carefully dabbing with a lint-free cloth or sponge wrung out in clean warm water. Afterwards, if necessary, clean by dabbing with soapy water or water with a little washing-up liquid added. See formulae. Finally, dab the surface with clean, tepid water.

LEATHER:

Avoid placing the leather in direct sunlight or extreme heat. Use a vacuum cleaner with a soft brush regularly. Never use detergents. Use the foam from soap flakes for housecleaning. Do not use sharp objects

Box contains:



430 bar stool x 1



Egeskovvej 29 | 8700 Horsens | Denmark
info@verpan.com | verpan.com