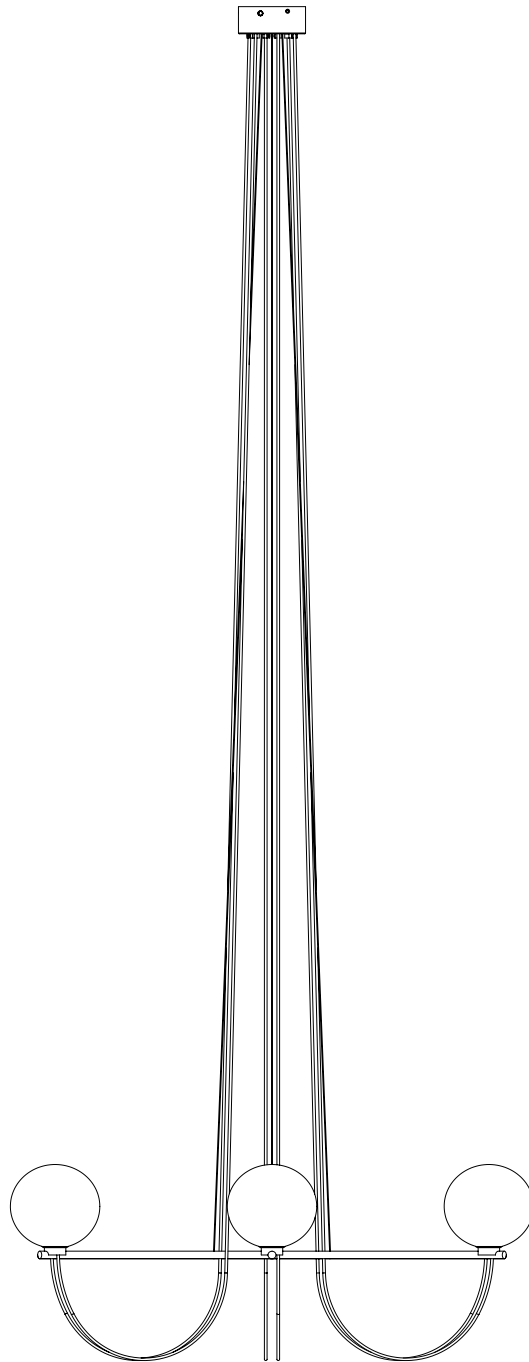


HANDVÄRK

F U R N I T U R E

6 Globe Chandelier



6 Globe Chandelier
Assembly Instructions

HANDVÄRK

F U R N I T U R E

6 Globe Chandelier

Important Information

A qualified electrician should install this lamp.

Before commencing installation work disconnect the main cable from the power supply - remove fuse or turn switch to "OFF"!

Inspect the lamp in case of clear damage to components. Contact us or the shop you purchased from if there is clear damage.

1. Installation should be carried out in accordance with the local safety regulations. Please check with your local authority for guidance.
2. In order to prevent damage, please check walls for cables before drilling holes.
3. Please ensure that all electrical connections (even pre-assembled lamps) are screwed tightly or are fully inserted as good contact is essential for a long life-span.

Please check for tight connections after changing or adjusting lamps. Screwed connections must be tightened after 20 minutes.
4. Do not place extra weight onto the lamp (e.g. for decorative purposes) if they were not delivered with the system.
5. Metal parts and glass could get hot when in use. Please allow lamps to cool down before touching.
6. Do not change bulbs or glass when switched on.

7. The chandelier must not be enlarged with additional lamps.

8. We reserve the right to make technical alterations.

Fitting: G9

Bulb:
MAX 3.5W LED Bulb to be used.
Do not use Halogen.

This lamp can be dimmable. (Must be compatible with type of bulb used.)

Placement:
Indoor use only in normal dry conditions.
Do not install outside.

The glass used for this lamp is hand-blown. Only the best quality glass is chosen. Air bubbles and variations in thickness and colour is normal.

Care Instructions

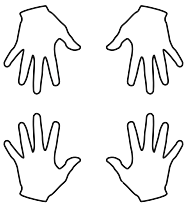
Wipe glass and metal parts with a damp cloth soaked in warm water and a small amount of mild detergent. Use only soft cloth for wiping and polishing, never sponges or steel wool. Do not use abrasive household cleaners.
Do not use acidic or alkaline cleaning materials, glass cleaner or household ammonia.
Ensure water stays away from electrical connections.

HANDVÄRK

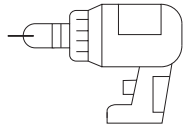
F U R N I T U R E

6 Globe Chandelier

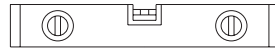
Required



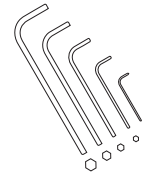
2 People



Drill



Spirit level



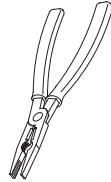
Hex Key Set



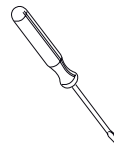
Ladder



Scissors



Pliers

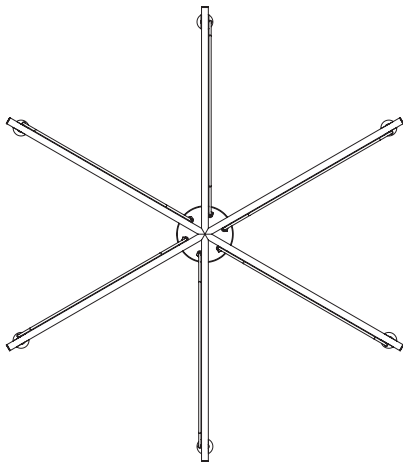


Screwdriver

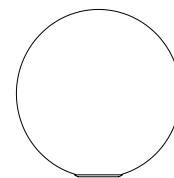


6 x 3.5W Max
LED Bulbs

Included



Chandelier Complete
Frame



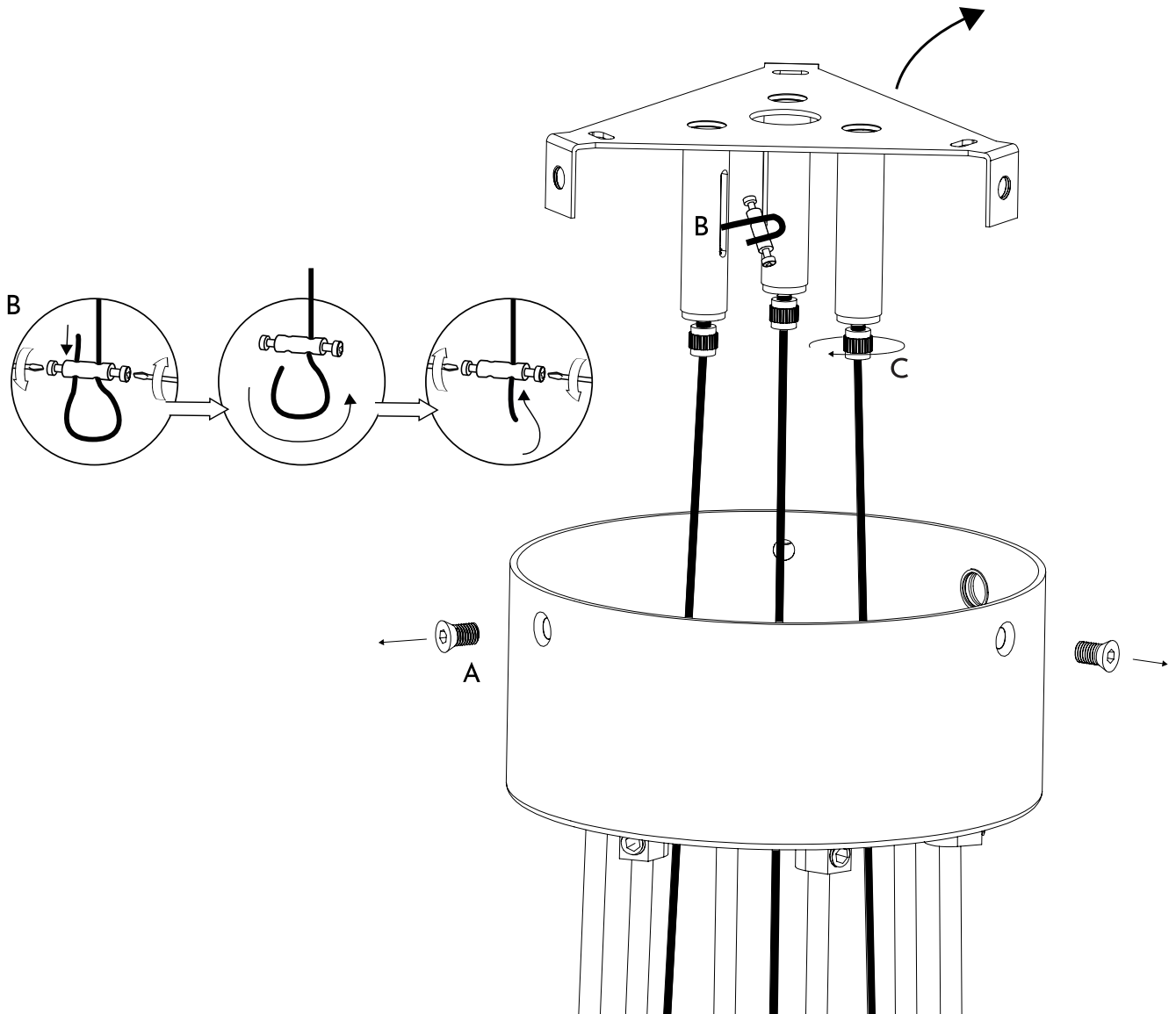
6x Glass Globe

HANDVÄRK

F U R N I T U R E

6 Globe Chandelier

1



A - Unscrew the 3 x ceiling case screws so the bracket can be removed.

B - Remove the wires from the wire fixers as shown using a screwdriver

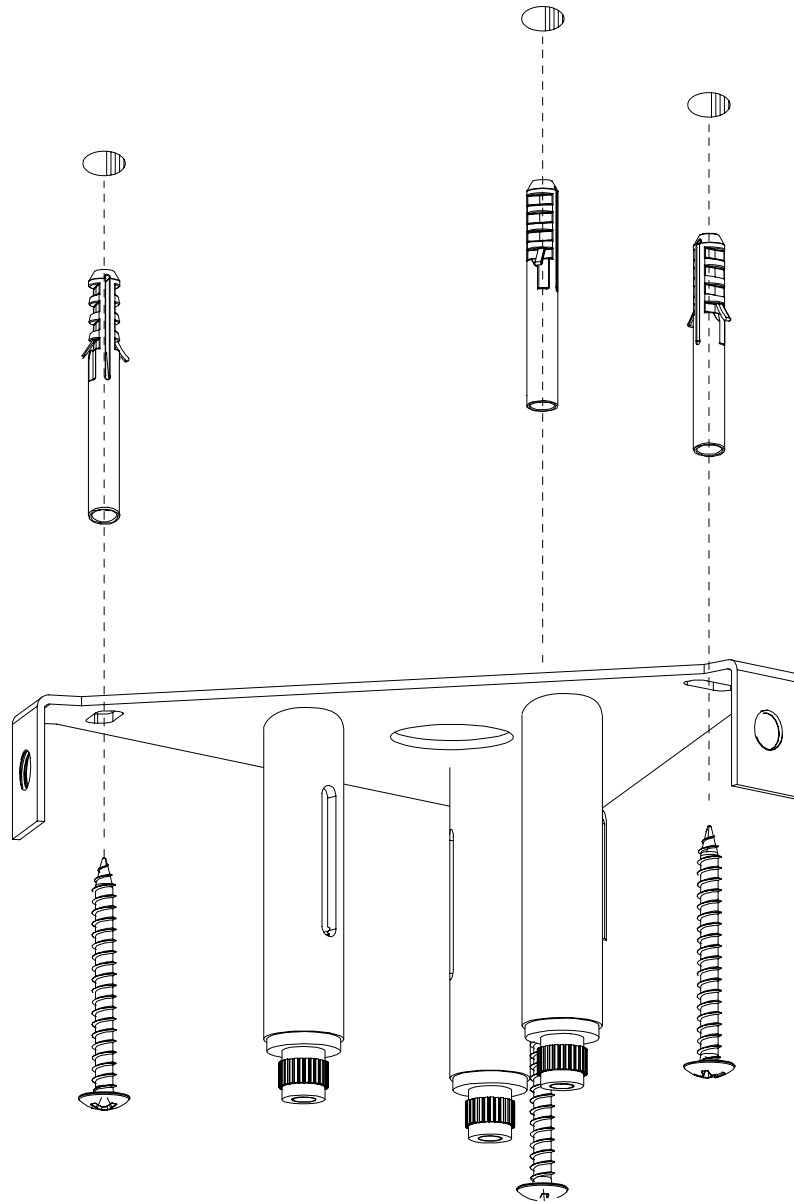
C - Unscrew the wire lock too loosen the wire. Push the end to allow the wire to be adjusted.

HANDVÄRK

F U R N I T U R E

6 Globe Chandelier

2



Mount the bracket to the ceiling with appropriate rawl plugs and long screws for the material you are drilling into. Seek advice if you are unsure.

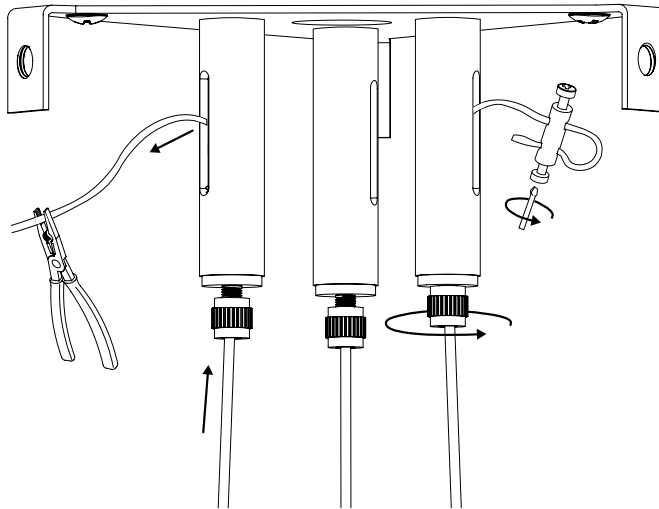
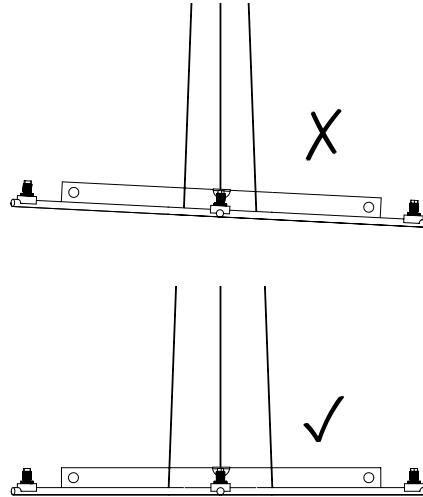
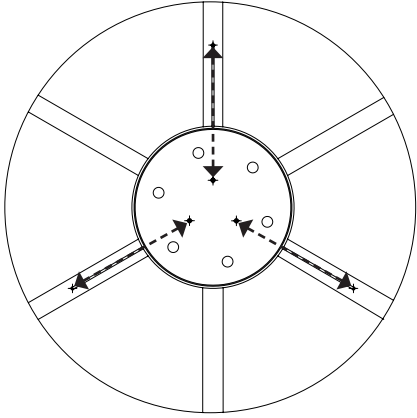
HANDVÄRK

F U R N I T U R E

6 Globe Chandelier

3

Top View Alignment



Align the wires from the frame with the wire locks. They must not twist.

Press the top of the wire lock to release the wire if you have pulled too much.

Pull the wires through the wire locks and adjust to the desired height. Wire Lengths: 4m

Use a spirit level to find the balance so the frame hangs level. Ensure this or else the chandelier will not hang straight when finished.

Once the frame is balanced, cut any excess wire and secure them in place. Tighten the wire lock thread and tighten the wire fixer .

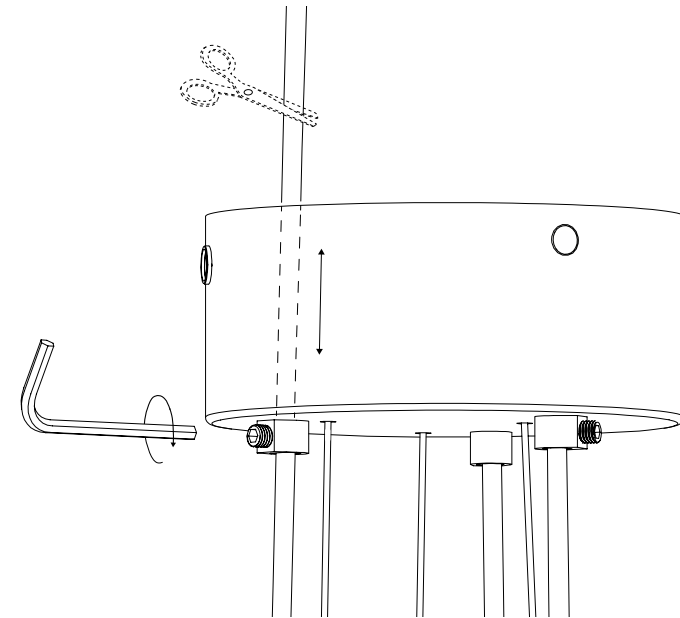
WARNING: Always support the chandelier when releasing the wire from the wire lock.

HANDVÄRK

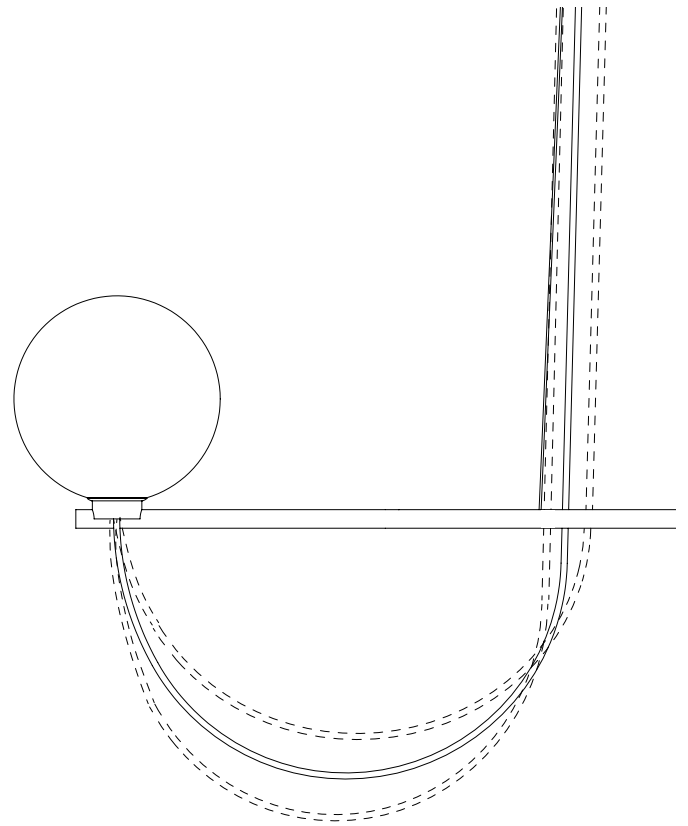
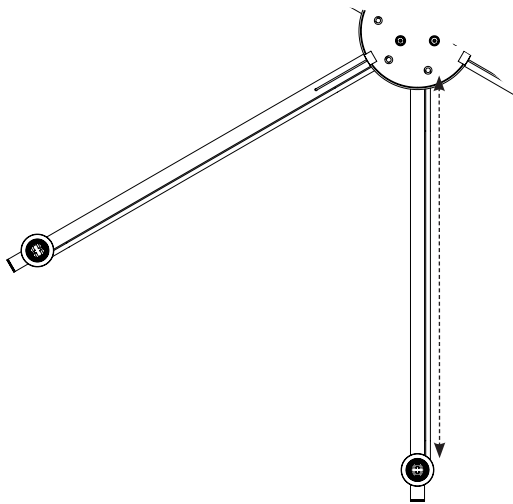
F U R N I T U R E

6 Globe Chandelier

4



Top View Alignment



Unscrew the cable reliefs on the ceiling case. Pull the cable through to find the preferred length. Fabric Cable lengths: 5m. Ensure correct alignment. The cables should not cross over.

Adjust all cables to desired length when hung. Tighten the screws carefully.

When the desired length is found, cut any excess cable if necessary for space in the ceiling case when fully mounted.

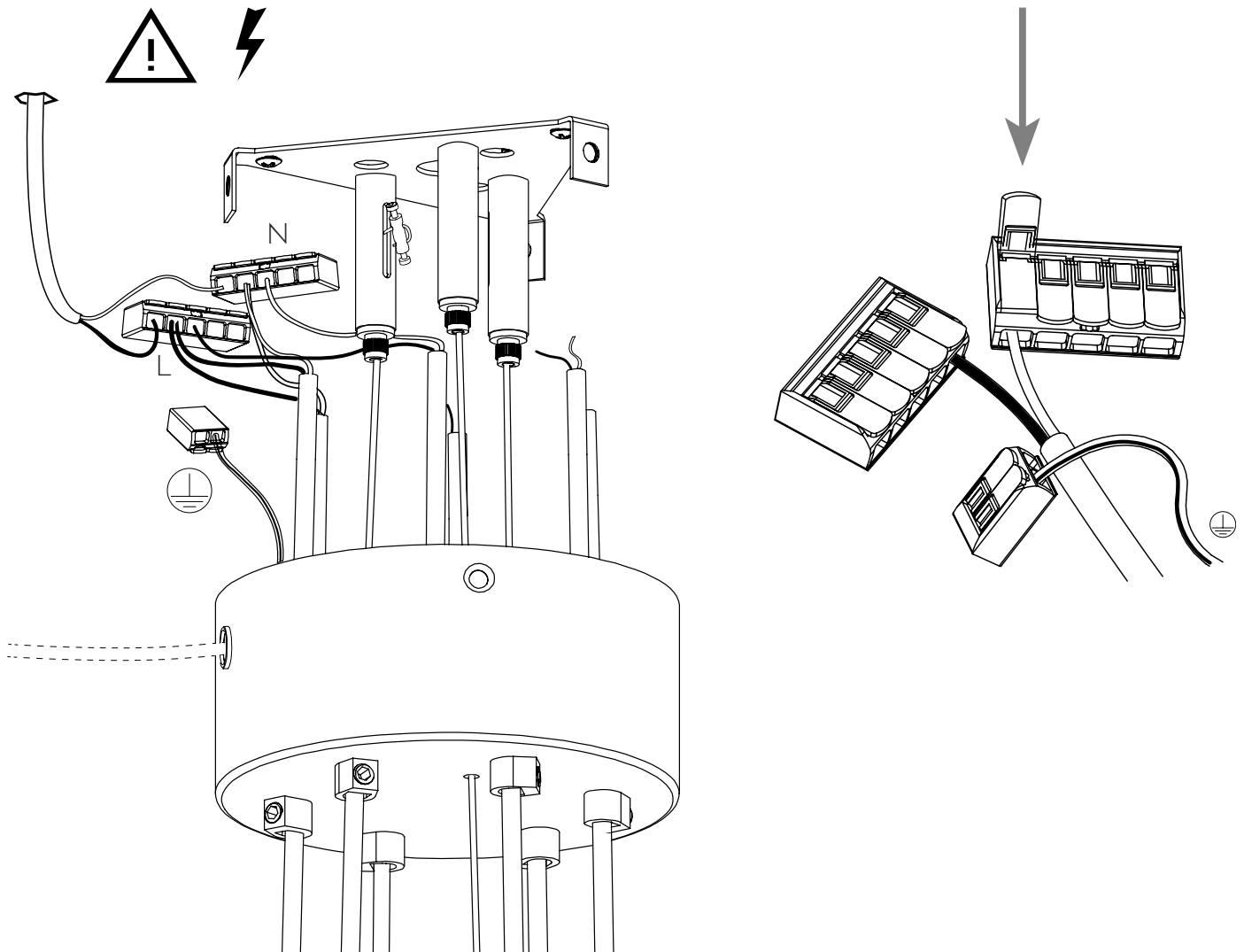
Always ensure the chandelier is hung by the wires - NOT by the fabric cables.

HANDVÄRK

F U R N I T U R E

6 Globe Chandelier

5



Check that the power is turned off before commencing any wiring. Lead all wires into the two connectors as shown. Ensure the wires are enclosed and secure when the orange lever is pulled back down.

Ensure all live and all neutral wires go into separate connectors. Never mixed.

Connect the mains wires to the two separate connectors.

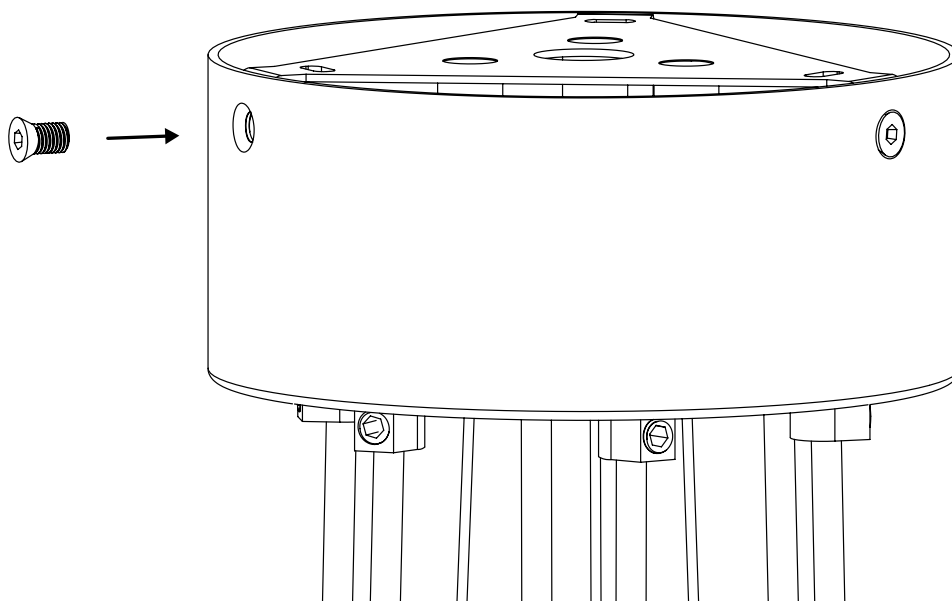
You can also run the mains cable through the side of the ceiling case using the hole provided.

HANDVÄRK

F U R N I T U R E

6 Globe Chandelier

6



Attach the ceiling case to the bracket by using the 3 screws.

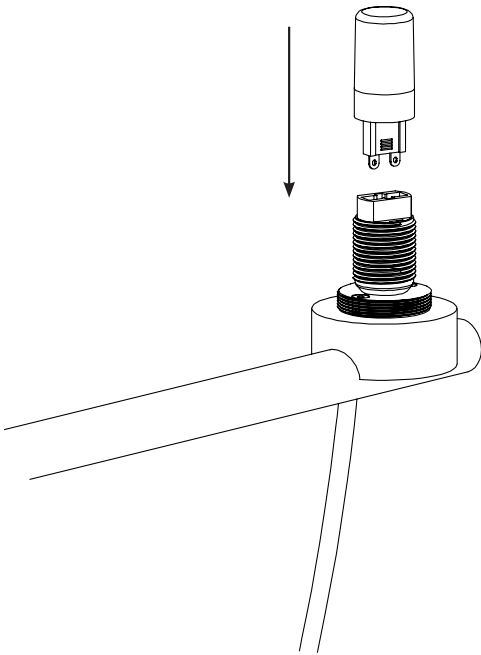
Ensure the ceiling case is secured.

HANDVÄRK

F U R N I T U R E

6 Globe Chandelier

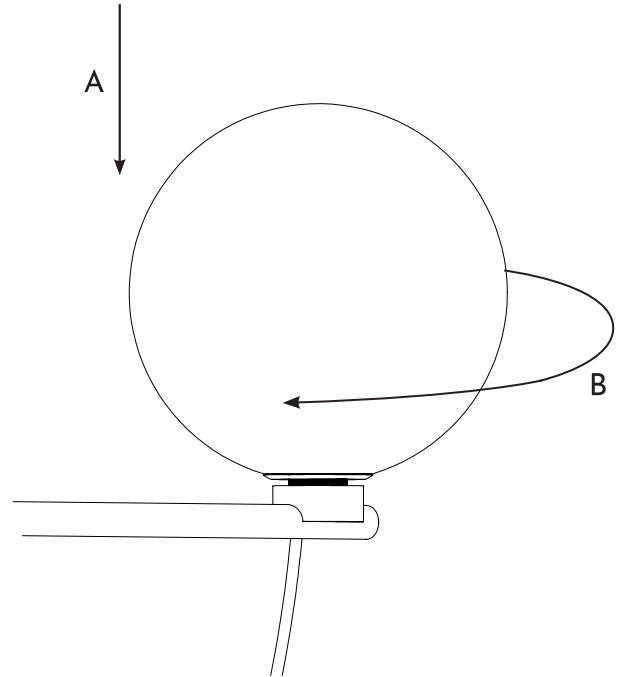
7



Place a g9 LED Bulb in each of the sockets.

MAX 3.5W

8



Take a glass globe and carefully place it over the light bulb and socket.

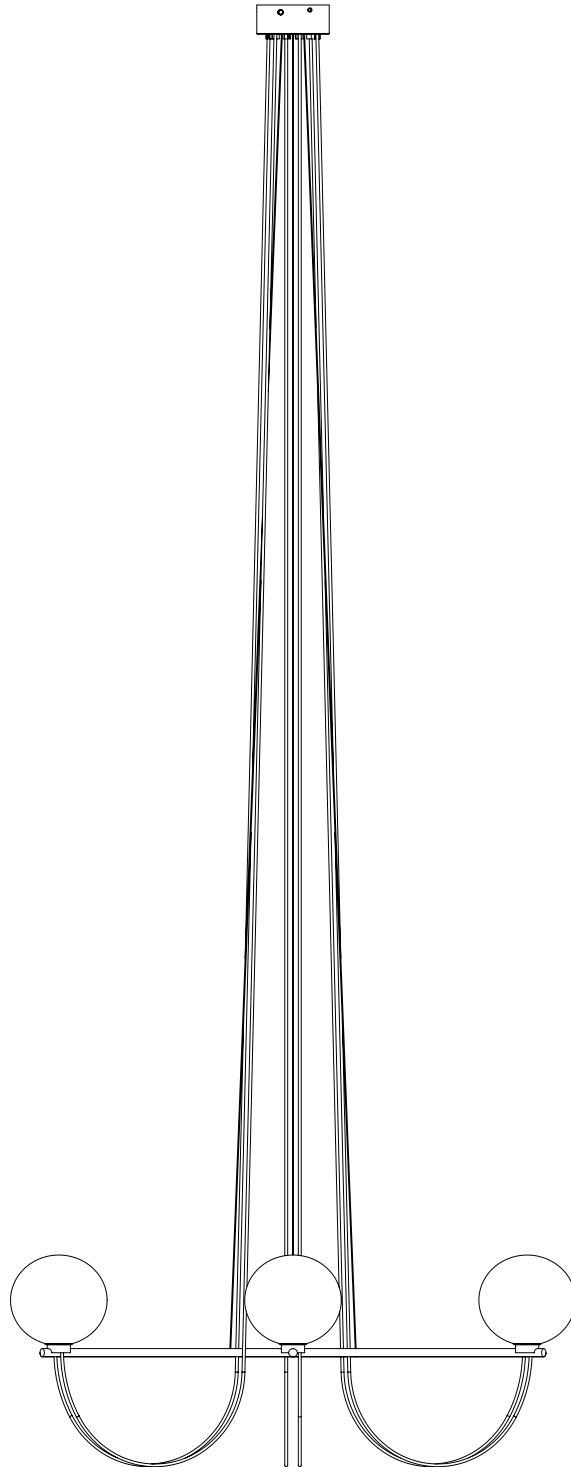
Secure it by turning around the thread. Ensure they are securely fixed.

HANDVÄRK

F U R N I T U R E

6 Globe Chandelier

9



Complete

If the cables are twisting, check and smooth out any kinks carefully.

HANDVÄRK

F U R N I T U R E

HANDVÄRK ApS | Aarhusgade 136A | 2150 Nordhavn | Copenhagen Denmark
info@handvark.com | +45 31 777 943 | www.handvark.com