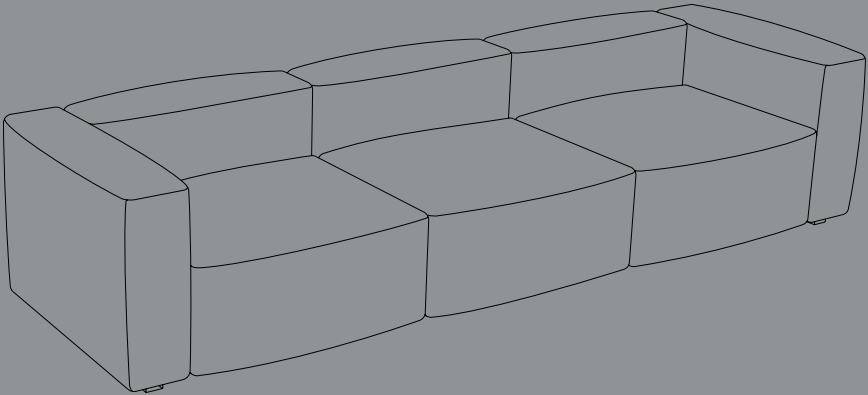


- INSTRUCTION MANUAL -

# MAGS SOFT SOFA



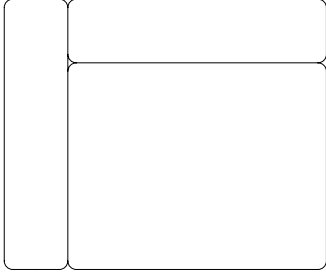
DESIGN BY HAY

**HAY**

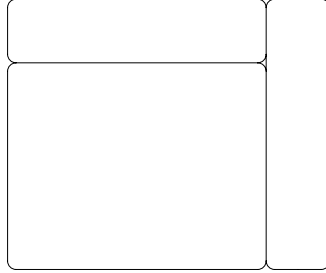


- PARTS -

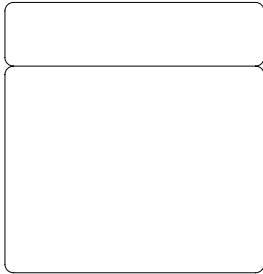
Modules may vary from the ones shown in the instructions.



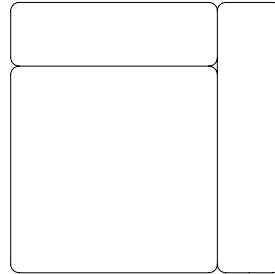
**A** Left armrest x1



**B** Right armrest x1



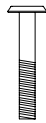
**C** Middle x2



**D** Right corner x1



**E** Hook x1

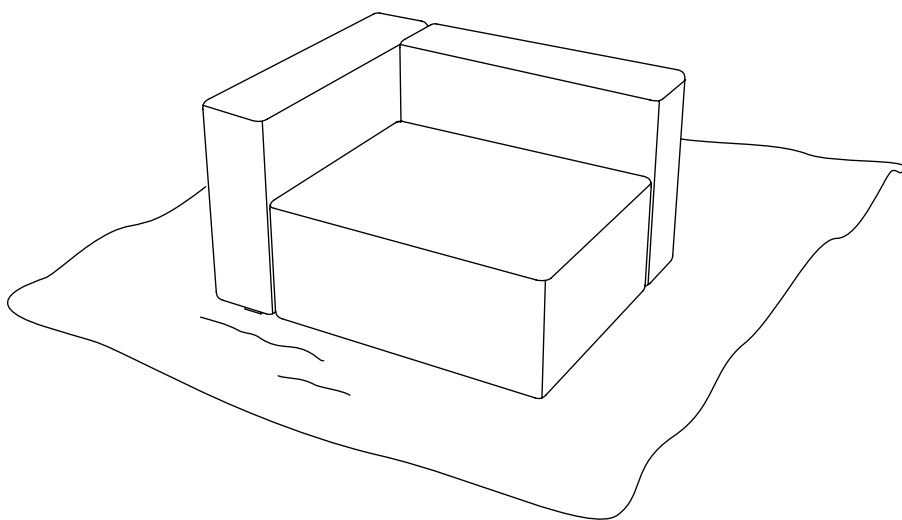


**F** Screw



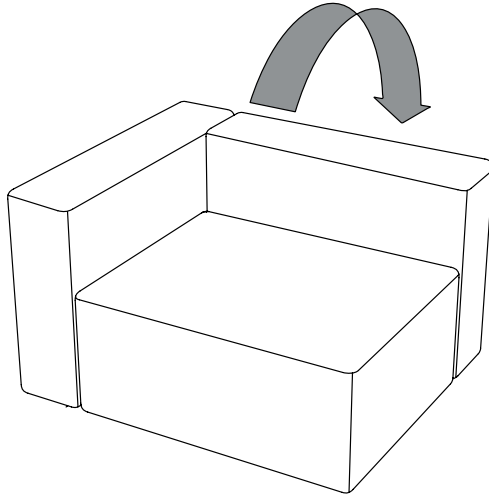
**G** Allen key x1

Protect the sofa from scratches and other damage while assembling.

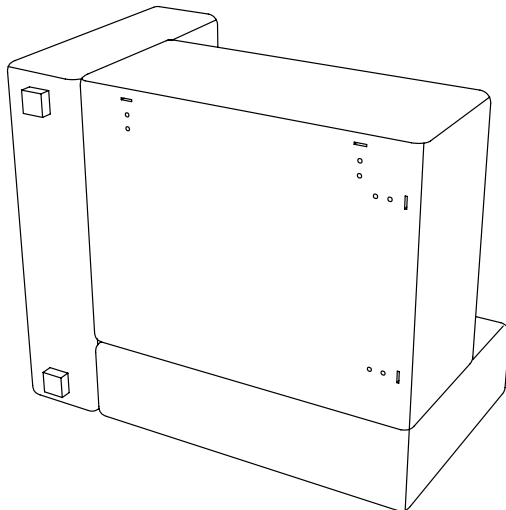


1.

Turn the left armrest **A** on its side (2 persons recommended).

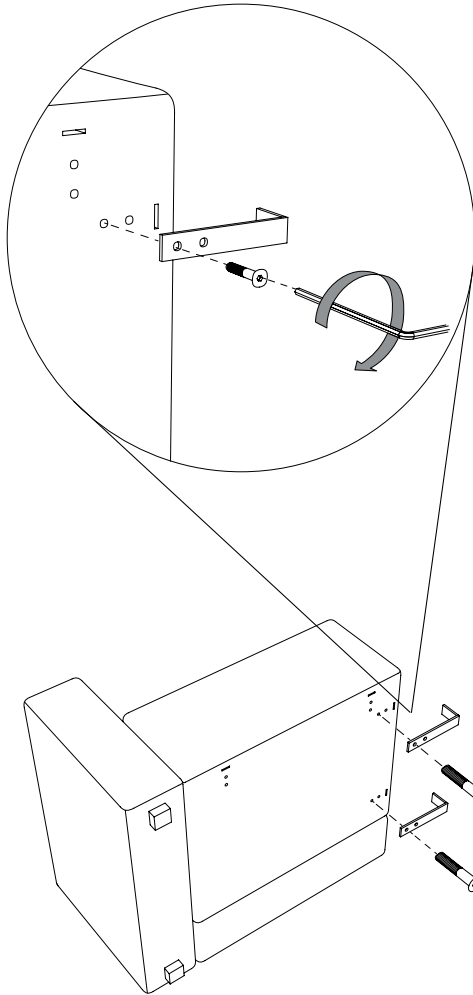


2.



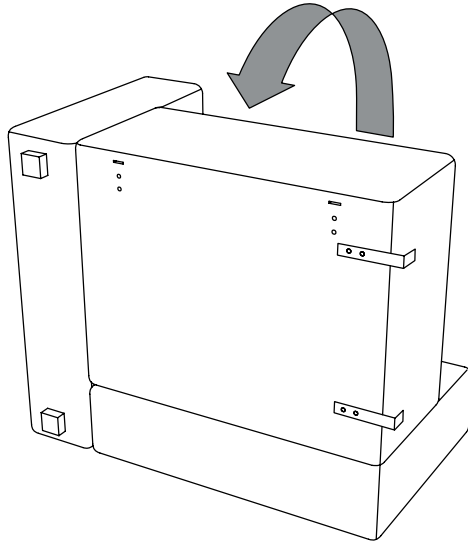
3.

Align part **E** with the holes on part **A**  
Insert part **F** in the holes. Use the Allen key **G** to tighten the **F** parts completely.

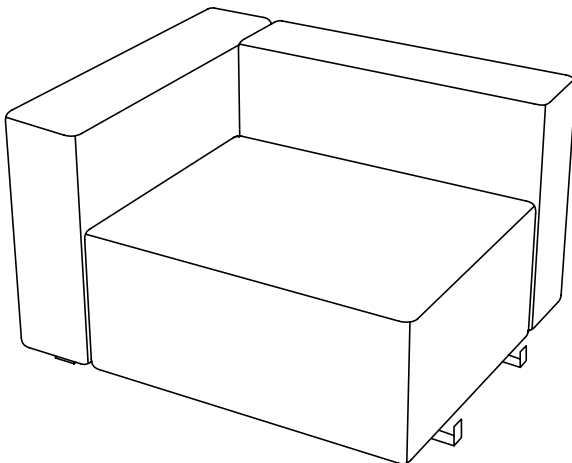


4.

Stand the left armrest **A** upright again (2 persons recommended).



5.



6.

Repeat steps 1, 2, 3, 4 and 5 on parts **C** and **D**

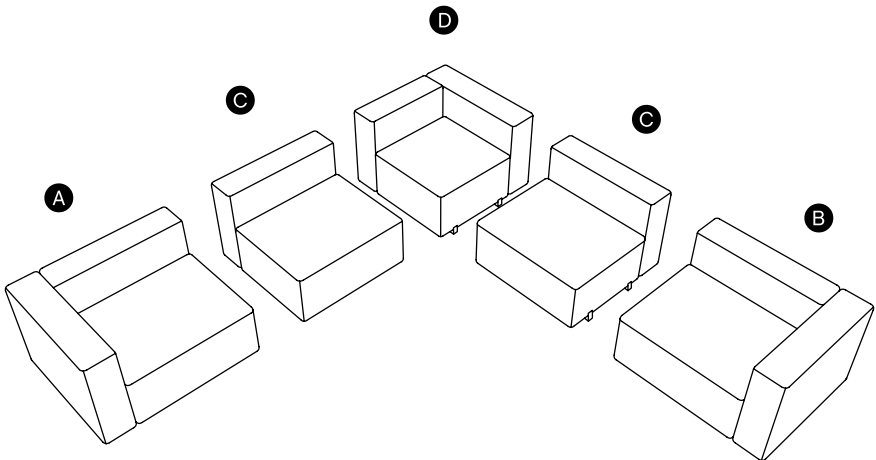


NOTICE

Make sure that part **E** is mounted onto the correct side of parts **C** and **D**

7.

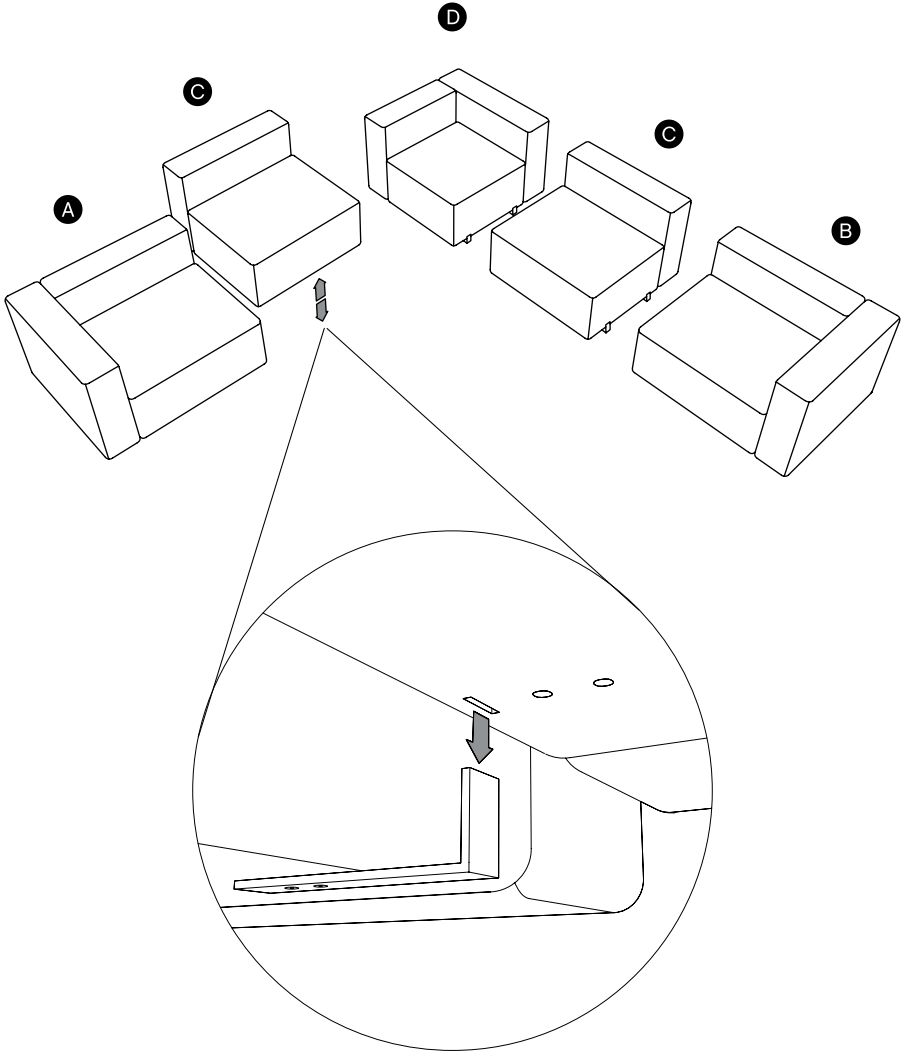
Place the sofa modules in their positions ready to be connected (2 persons recommended).





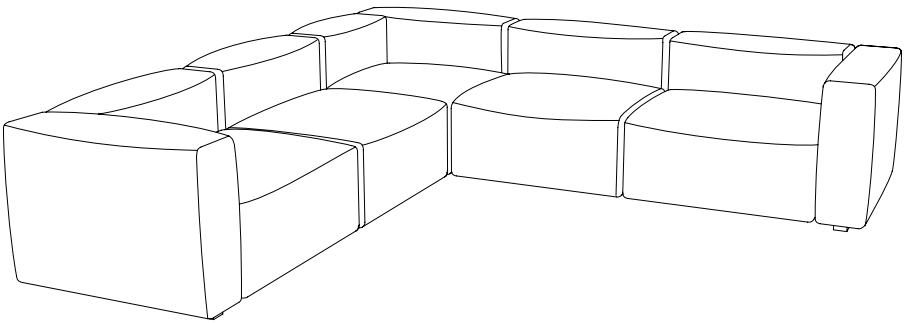
8.

Lower part **C** onto part **E**, which is mounted on part **A**  
(2 persons recommended).

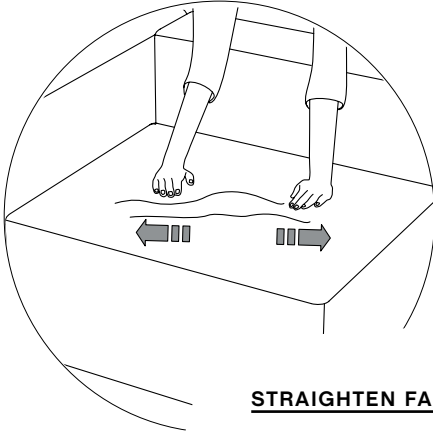


9.

Repeat step 8 on parts **D**, **C** and **B** until the sofa is completed  
(2 persons recommended).

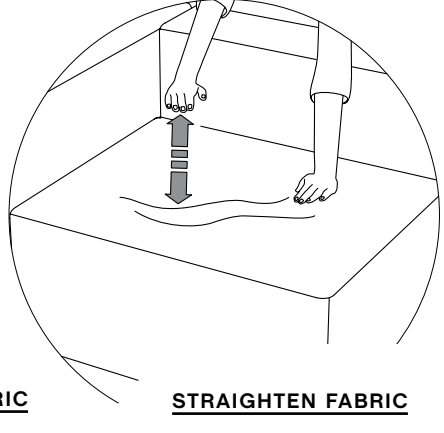


Over time, your sofa will need some attention to ensure that the cushions remain plump and the seat cushion keeps its shape. To ensure that the cushions' filling is spread evenly, follow these steps to plump the cushions. Repeat regularly when needed. More information on your specific fabric can be found under care and maintenance.



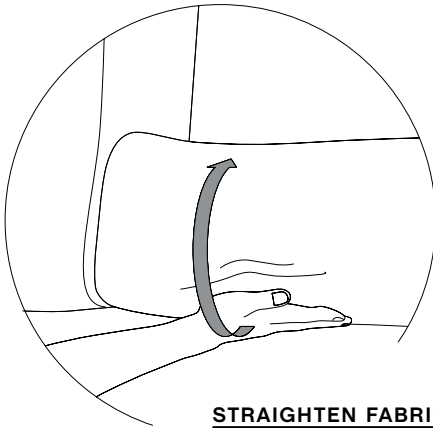
**STRAIGHTEN FABRIC**

Straighten fabric on all modules..



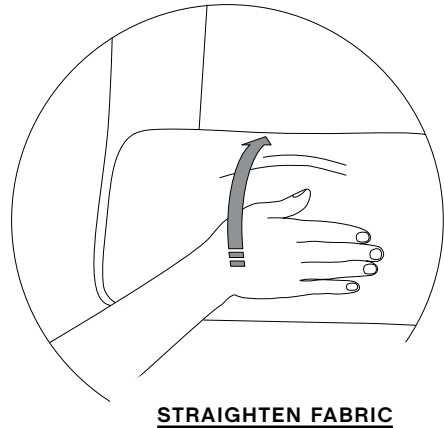
**STRAIGHTEN FABRIC**

Straighten fabric on all modules..



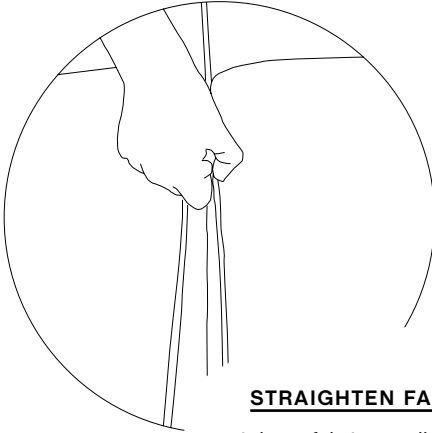
**STRAIGHTEN FABRIC**

Straighten fabric on all modules..



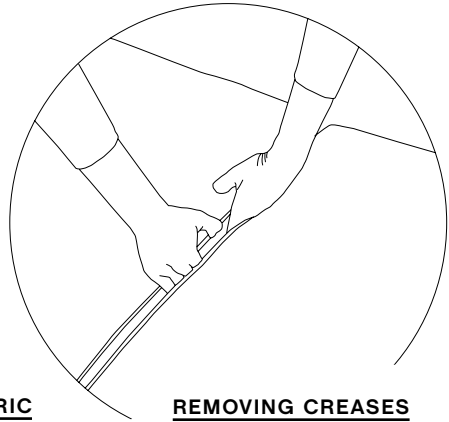
**STRAIGHTEN FABRIC**

Straighten fabric on all modules..



**STRAIGHTEN FABRIC**

Straighten fabric on all modules..



**REMOVING CREASES**

Press the fabric down between each module.

- CARE & MAINTENANCE -

Our Care & Maintenance offers guidance for optimal maintenance of your HAY product. It includes advice and instructions on cleaning and caring for specific materials to prolong the life of your furniture.



Please find our Care & Maintenance guide by scanning the QR code



You can find more relevant information on Mags by scanning the QR code

You can also find the same information here  
[hay.dk/downloads](http://hay.dk/downloads)





Havnen 1 8700 Horsens Denmark  
+45 3164 6000 / hay@hay.com

10/01/2023

**HAY**