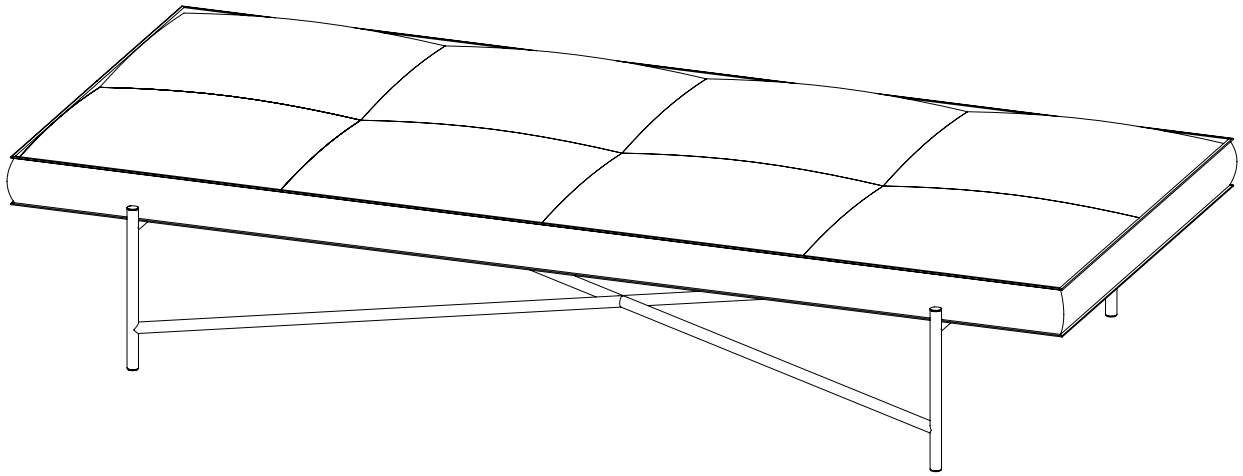


HANDVÄRK

F U R N I T U R E

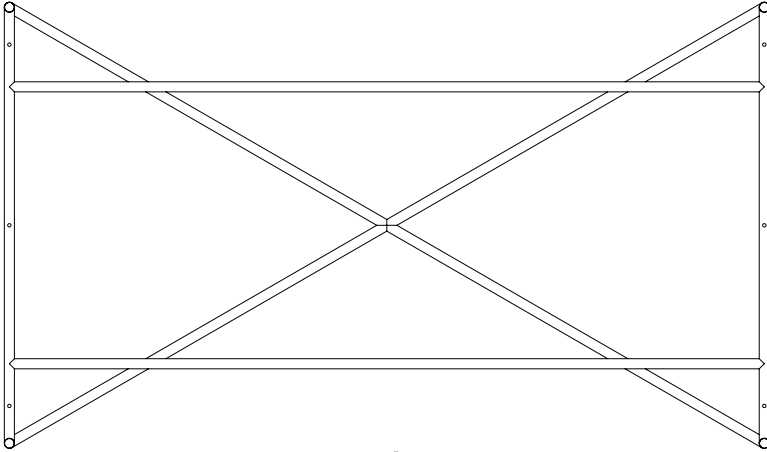


Daybed Assembly Instructions

HANDVÄRK

F U R N I T U R E

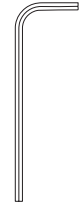
Daybed



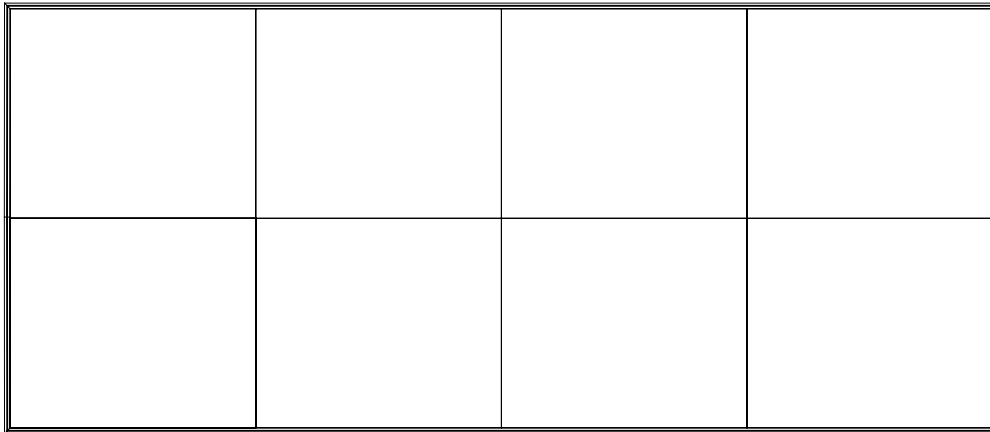
x 1



x 6



x 1



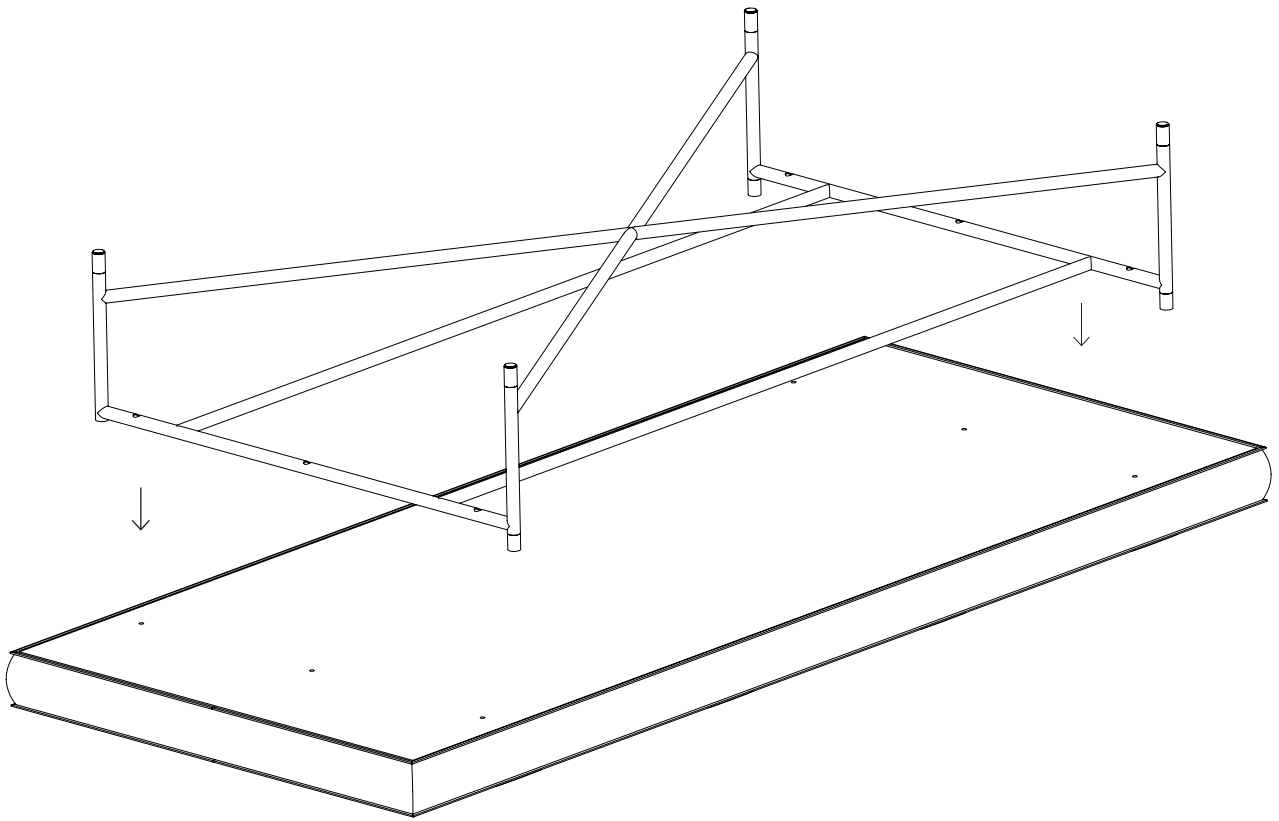
x 1

HANDVÄRK

F U R N I T U R E

Daybed

1

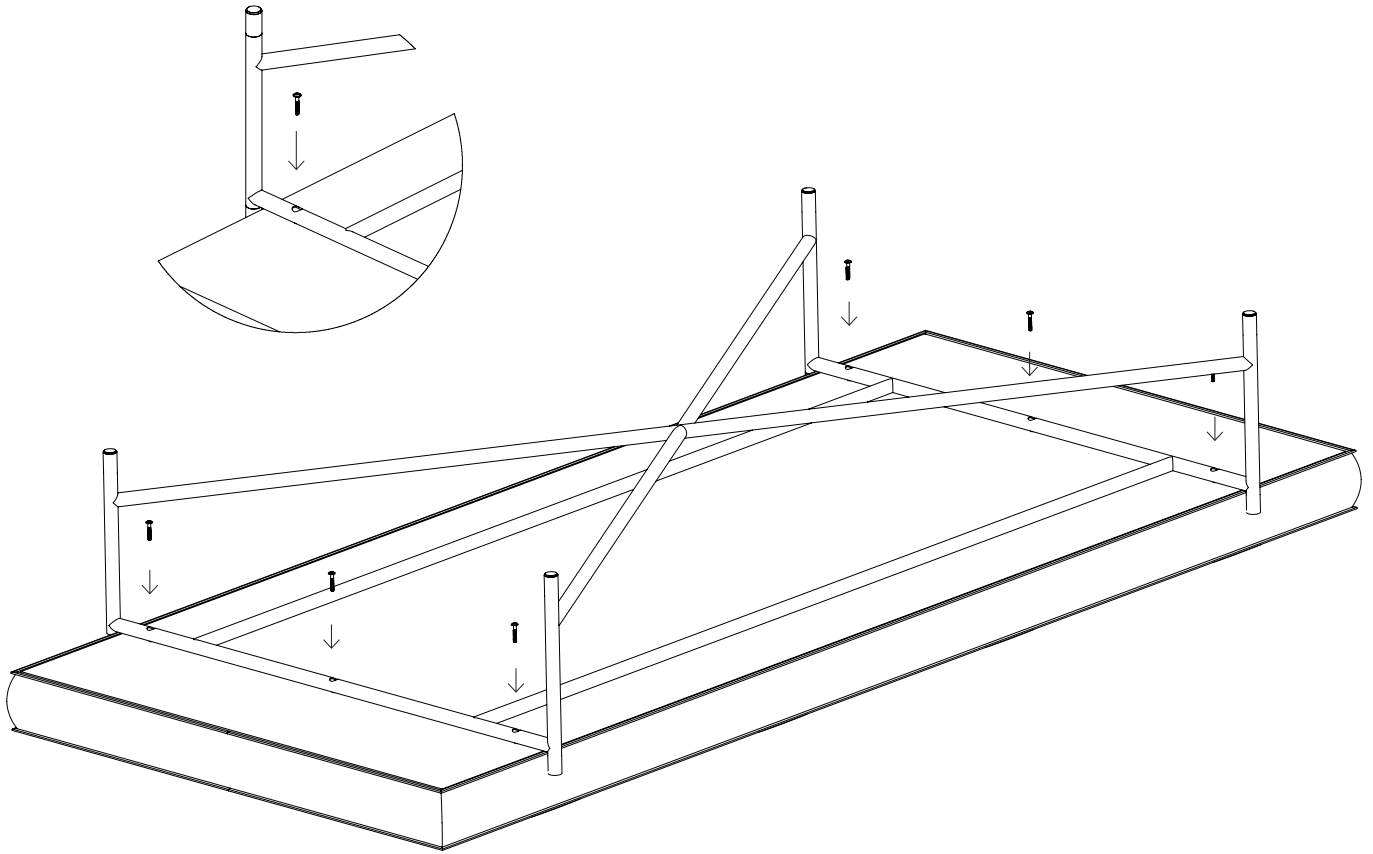


HANDVÄRK

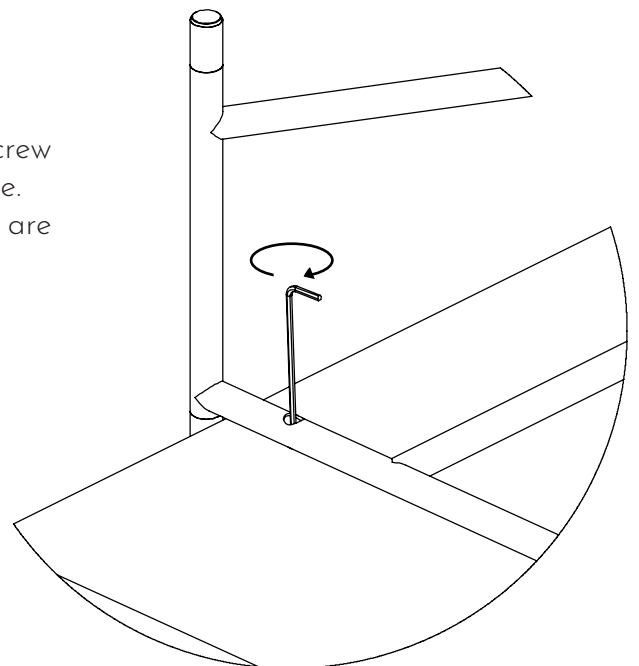
F U R N I T U R E

Daybed

2



Using the hex key only, turn each screw slightly into the thread so it is secure. Do not screw tightly until all screws are placed in the holes.



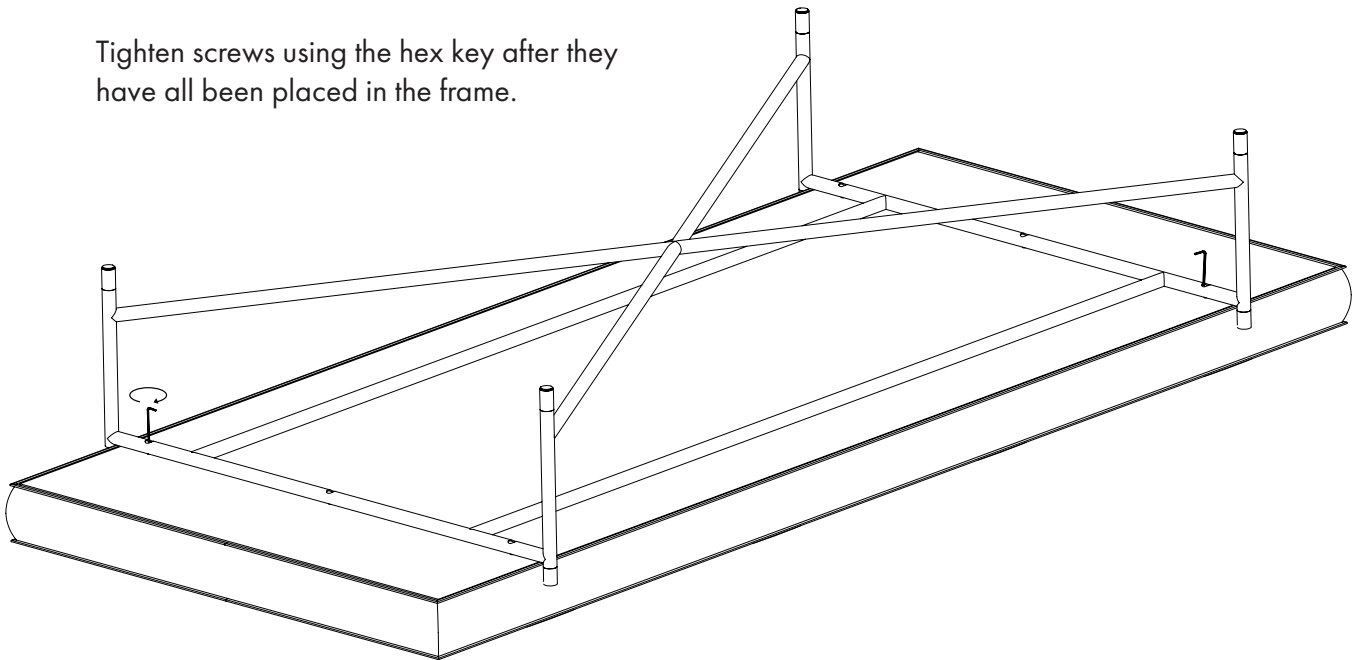
HANDVÄRK

F U R N I T U R E

Daybed

3

Tighten screws using the hex key after they have all been placed in the frame.

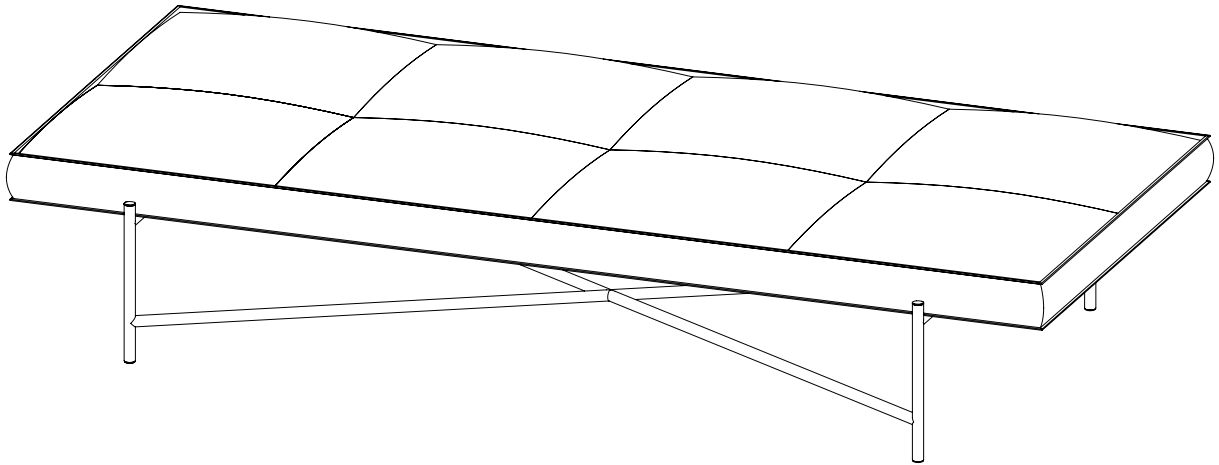


HANDVÄRK

F U R N I T U R E

Daybed

4



HANDVÄRK

F U R N I T U R E

HANDVÄRK ApS | Aarhusgade 136A | 2150 Nordhavn | Copenhagen Denmark
info@handvark.com | +45 31 777 943 | www.handvark.com