



GAZZDA

Book Trolley

Product sheet

design by
Berin Spahić



Book Trolley

Product facts

Materials

Body Powder coated steel

Technical features

Usage

The Book Trolley provides *indoor* transportation and storage solution for stacking Book Armchairs & Side Chairs, and is suitable for both upholstered and non-upholstered product variants. Thanks to the stacking box under the seat shell, the upper chair would not leave marks at the upholstery or veneer surface of the chair below, as it would if the seat spacers are used instead of stacking box.

Load-bearing capacity

Trolley load-bearing capacity is up to 120 kg in total.

Stacking

Number of chairs that could be stacked on the Book Trolley:

Book Armchair

Non-upholstered: 7 pcs

Upholstered: 7 pcs

Note to consider:

We do not recommend stacking more chairs than the quantities listed above. The reason is that the metal legs of the chairs stacked above the specified number can cause damage to the wooden armrests of the chairs stacked at the bottom.

Book Side Chair

Non-upholstered: 10 pcs

Upholstered: 9 pcs

Metal base

The metal base is made from bent steel tubes. On the top of the base L-profiled frames are welded which prevent products from tipping over. The inclined frame is suitable for Book Armchairs and Book Side Chairs.

Wheels

Swivel castors with brakes are attached to the base of the trolley allowing unrestricted motion in all directions and small turning point. The brakes on the all four wheels ensure a secure grip and a minimal danger of rolling.

Finish

The Book Trolley is available in black powder-coated and fine structure granulated surface finish.

Cleaning

Please see [Product](#) or [Material](#) page on our website.

Notes to consider

Product changes

Please note that Gazzda reserves the right to alter construction and design without notice.

Dimensions (tolerances)

The dimensions shown are indicative, they may vary due to the natural properties of wood, season, or manufacturing processes. Deviations from the specified size may occur, usually no more than 1 cm.

For all additional inquiries regarding Book Trolley please feel free to [contact us](#).

Book Trolley

Base **Steel**, ^{Seat} **Upholstered**

Version: 1-1-2023

Basic info

Design Berin Spahić

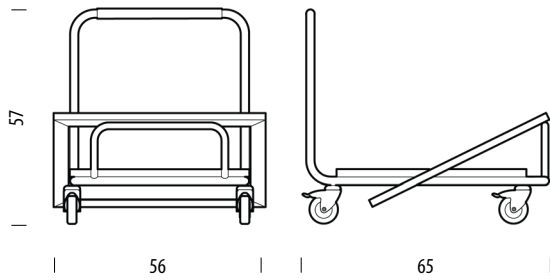
Product size W: 65, D: 56, H: 57

Packaging W: 68, D: 59, H: 63

Volume 0,25 m³

Net weight 20,0 kg

Gross weight 22,5 kg



Item no. 660

Assembled product

Stacking options	Non-upholstered		Upholstered	
	trolley	floor	trolley	floor
Book Armchair	8	6	7	5
Book Side Chair	10	6	9	5

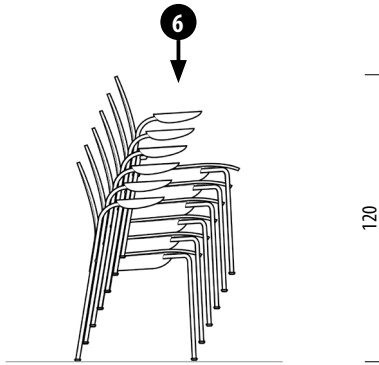
Book Armchair

Stacking overview

Version: 1-1-2023

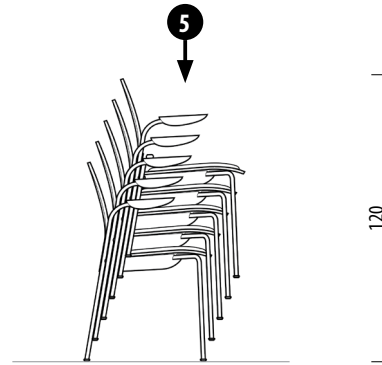
Veneer seat (Non-upholstered seat)

Maximum number of veneer armchairs that can be stacked on the floor: **6 chairs**

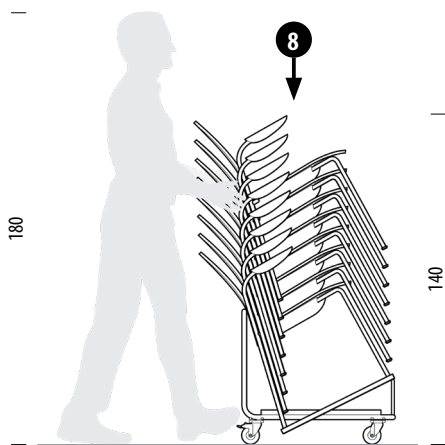


Upholstered

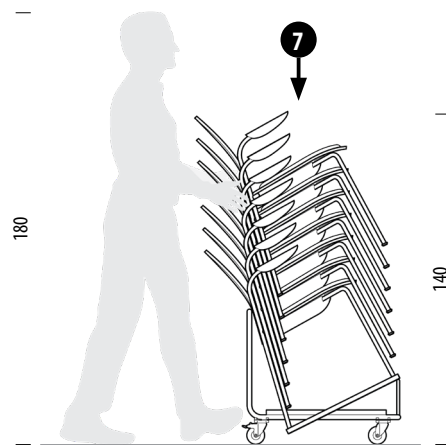
Maximum number of upholstered armchairs that can be stacked on the floor: **5 chairs**



Maximum number of veneer armchairs that can be stacked on the Book Trolley: **8 chairs**



Maximum number of upholstered armchairs that can be stacked on the Book Trolley: **7 chairs**



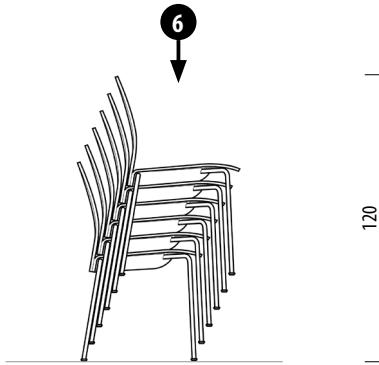
Book Side Chair

Stacking overview

Version: 1-1-2023

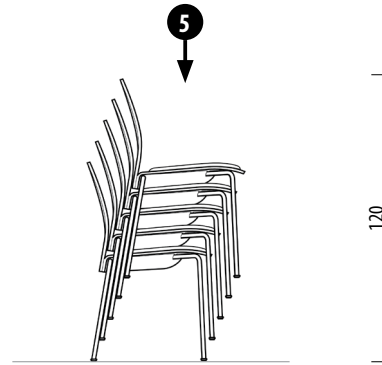
Veneer seat (Non-upholstered seat)

Maximum number of veneer side chairs that can be stacked on the floor: **6 chairs**

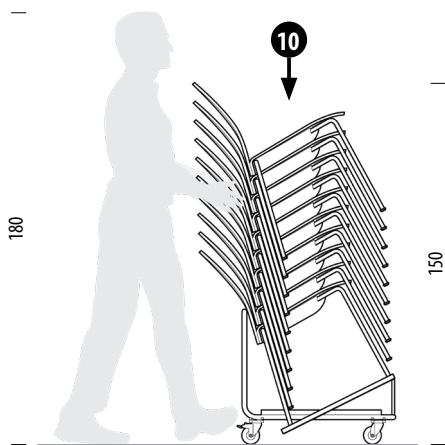


Upholstered

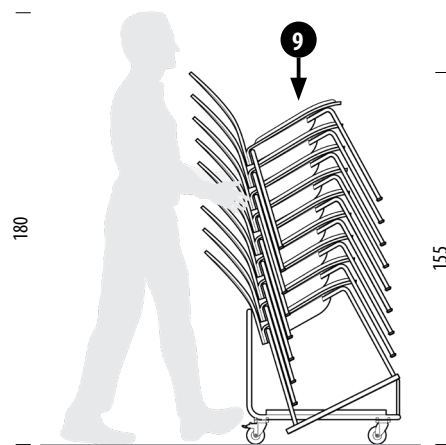
Maximum number of upholstered side chairs that can be stacked on the floor: **5 chairs**



Maximum number of veneer side chairs that can be stacked on the Book Trolley: **10 chairs**



Maximum number of upholstered side chairs that can be stacked on the Book Trolley: **9 chairs**



Book Trolley

Available materials

Metal base | Steel



Powder-coated
Black
RAL 9005