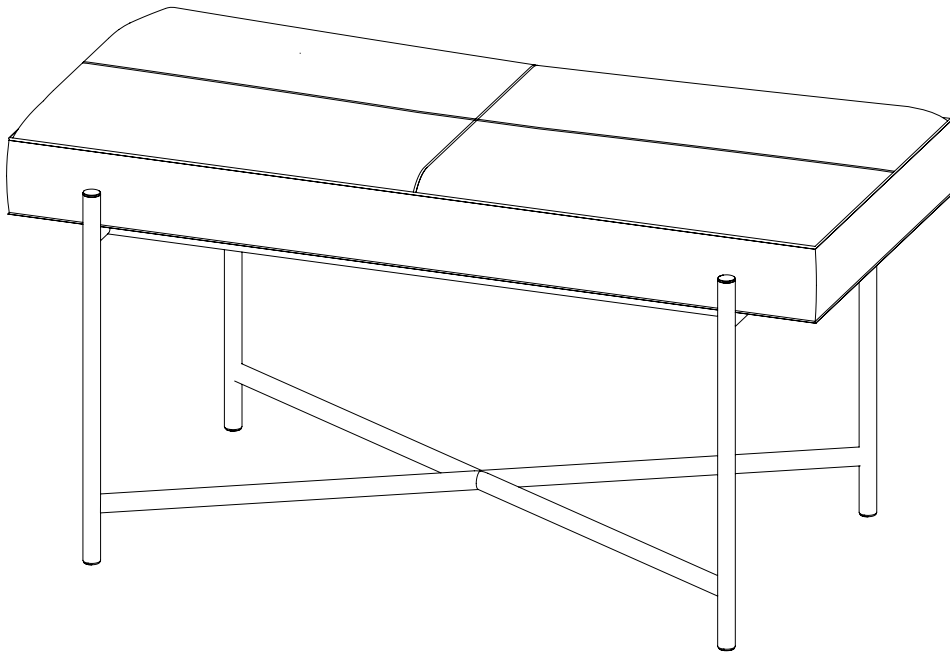


HANDVÄRK

F U R N I T U R E

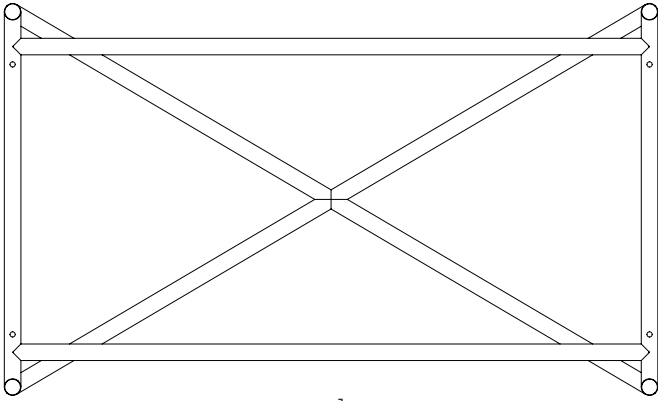


Piano Bench Assembly Instructions

HANDVÄRK

F U R N I T U R E

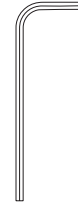
Piano Bench



x 1



x 4



x 1



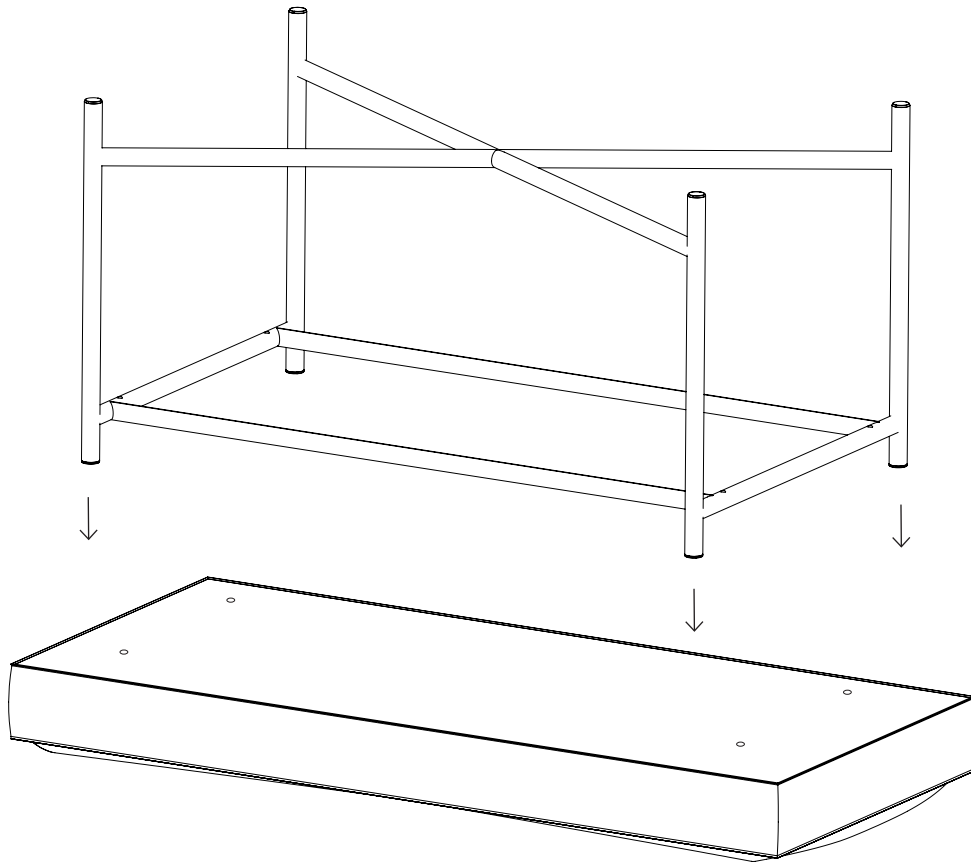
x 1

HANDVÄRK

F U R N I T U R E

Piano Bench

1

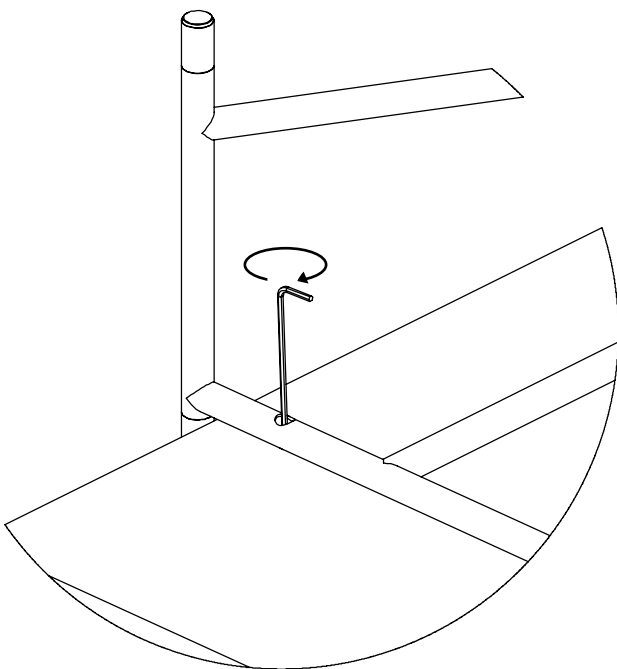
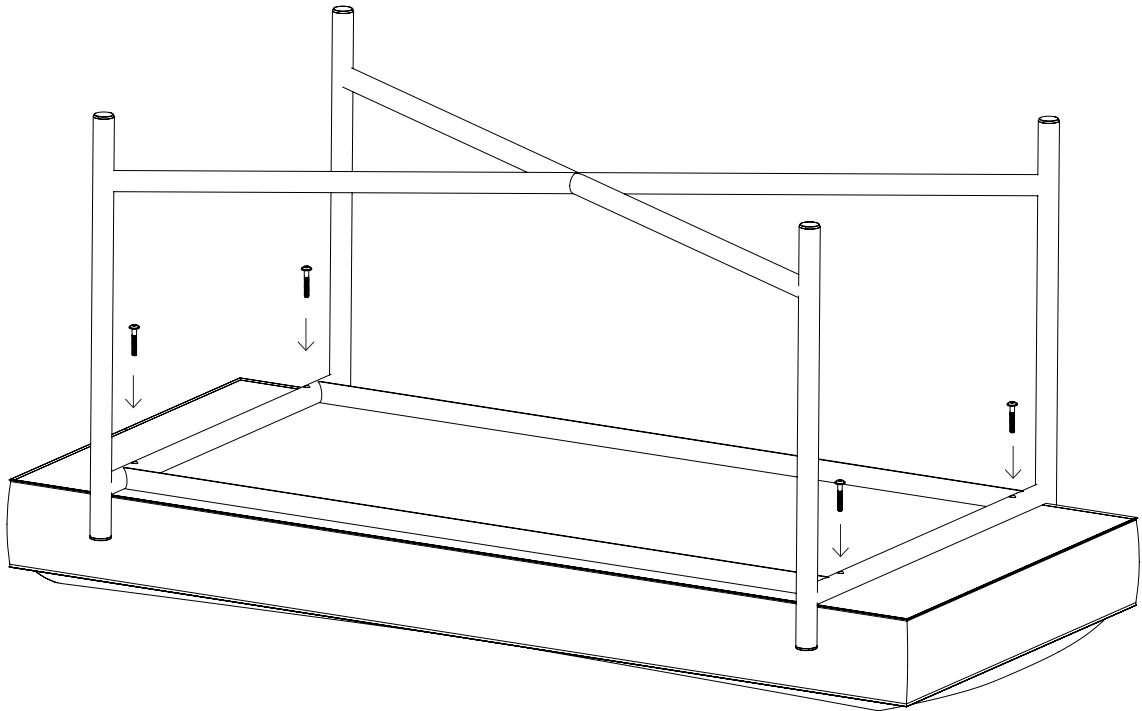


HANDVÄRK

F U R N I T U R E

Piano Bench

2



Using the hex key only, turn each screw slightly into the thread so it is secure.

Do not screw tightly until all screws are placed in the holes.

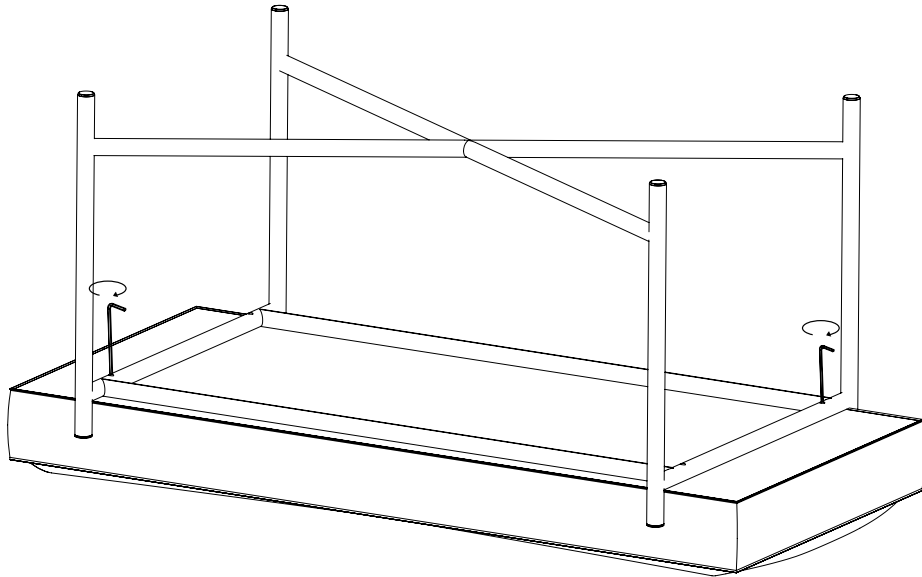
HANDVÄRK

F U R N I T U R E

Piano Bench

3

Tighten screws using the hex key after they have all been placed in the frame.

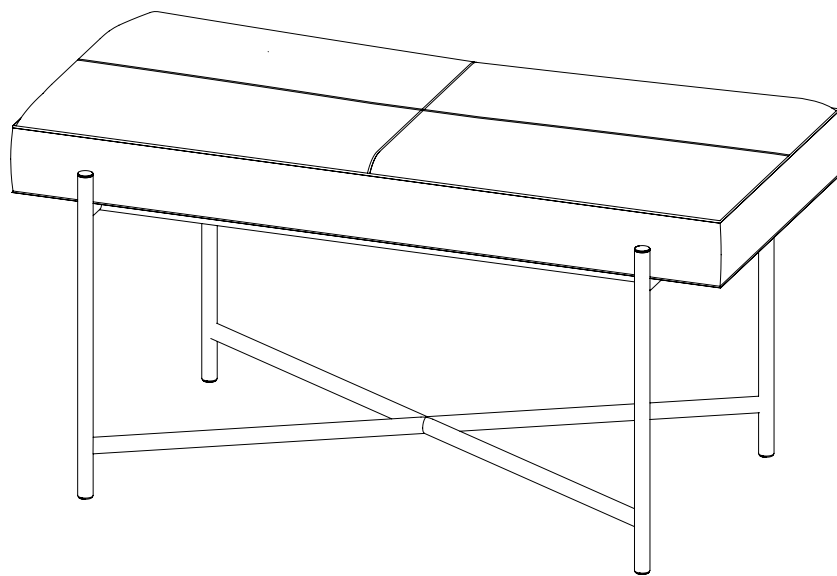


HANDVÄRK

F U R N I T U R E

Piano Bench

4



HANDVÄRK

F U R N I T U R E

HANDVÄRK ApS | Aarhusgade 136A | 2150 Nordhavn | Copenhagen Denmark

info@handvark.com | +45 31 777 943 | www.handvark.com