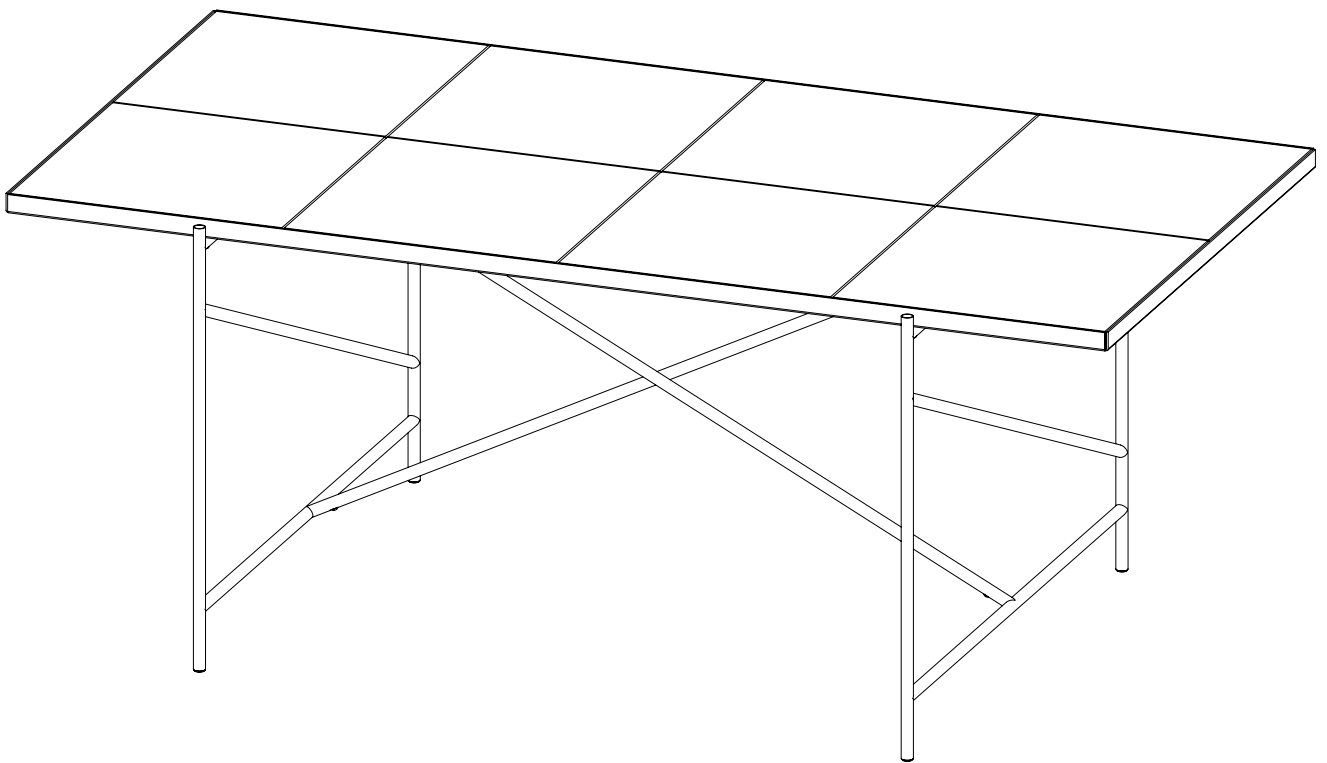


# HANDVÄRK

---

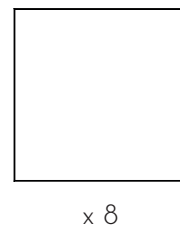
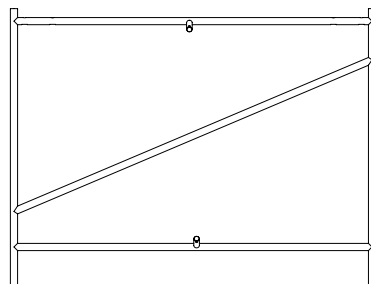
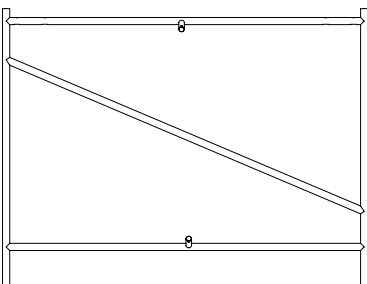
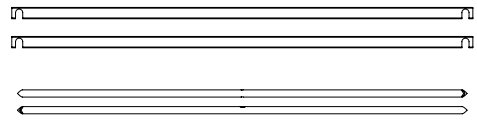
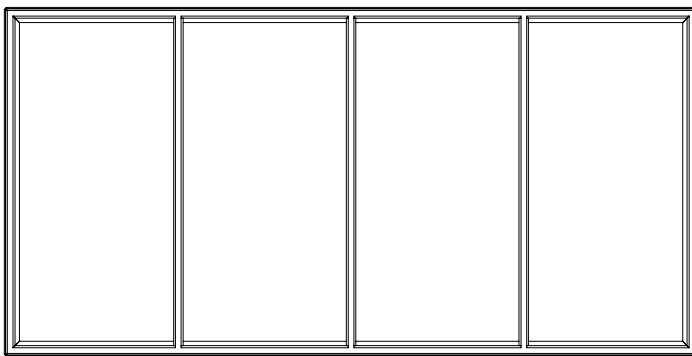
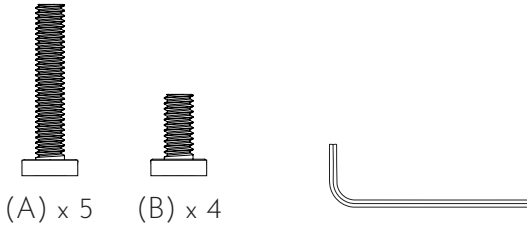


Dining Table 185  
Assembly Instructions

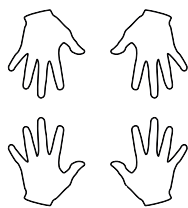
---

# HANDVÄRK

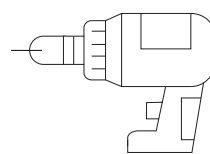
Dining Table 185



## Recommendation



2 People



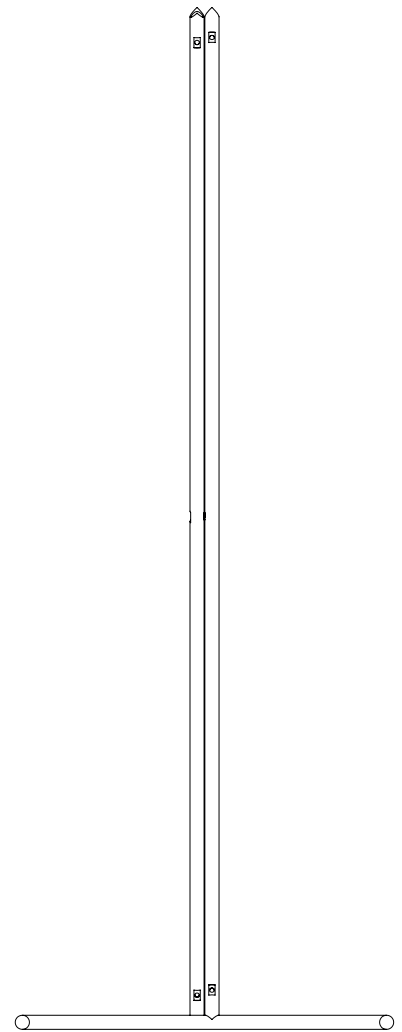
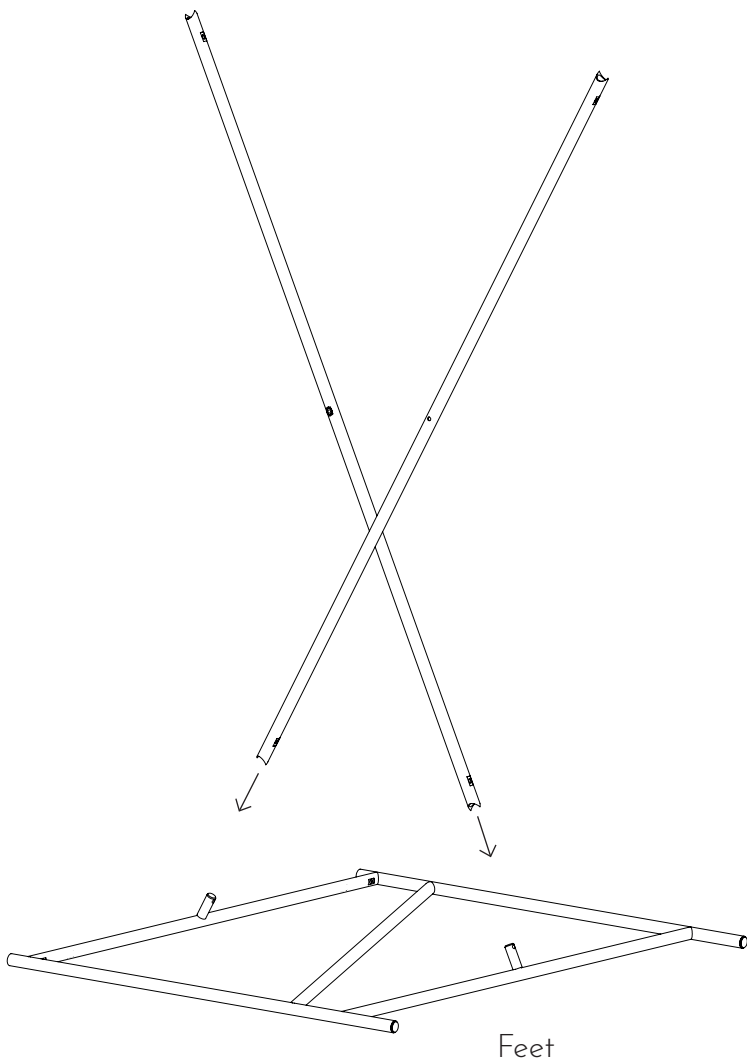
Hand Drill

# HANDVÄRK

Dining Table 185

---

1



Place the cross bars on the tabs so all holes are pointing towards the feet. The bars should not cross over each other.

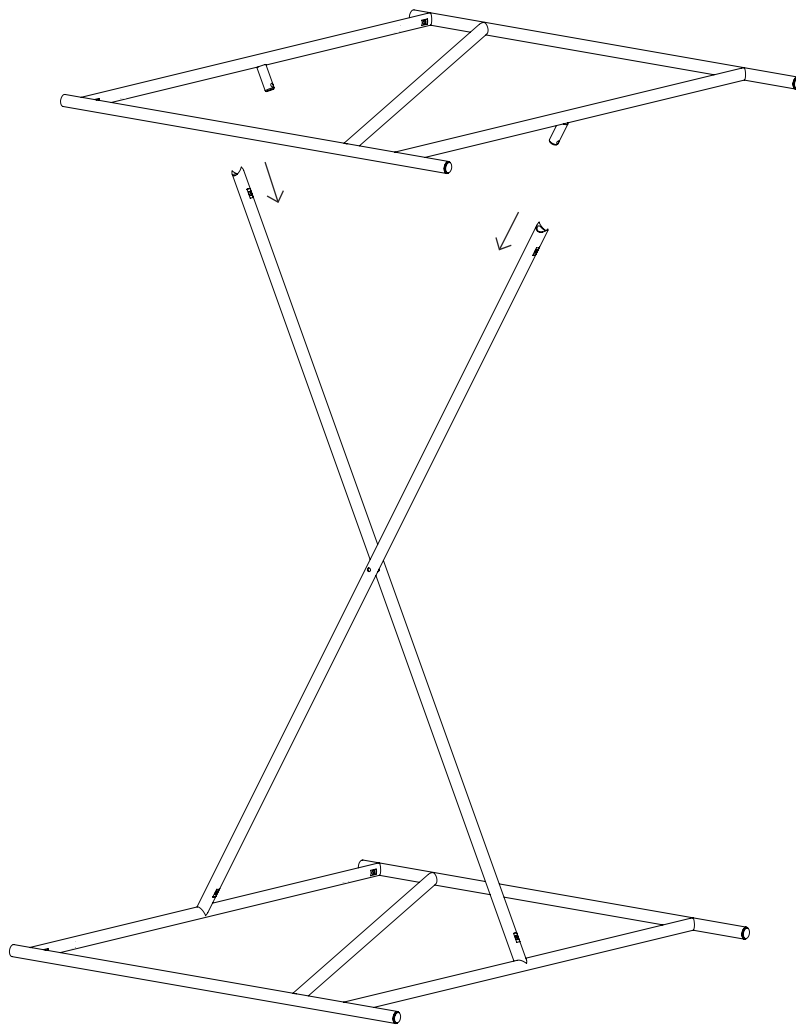
---

# HANDVÄRK

Dining Table 185

---

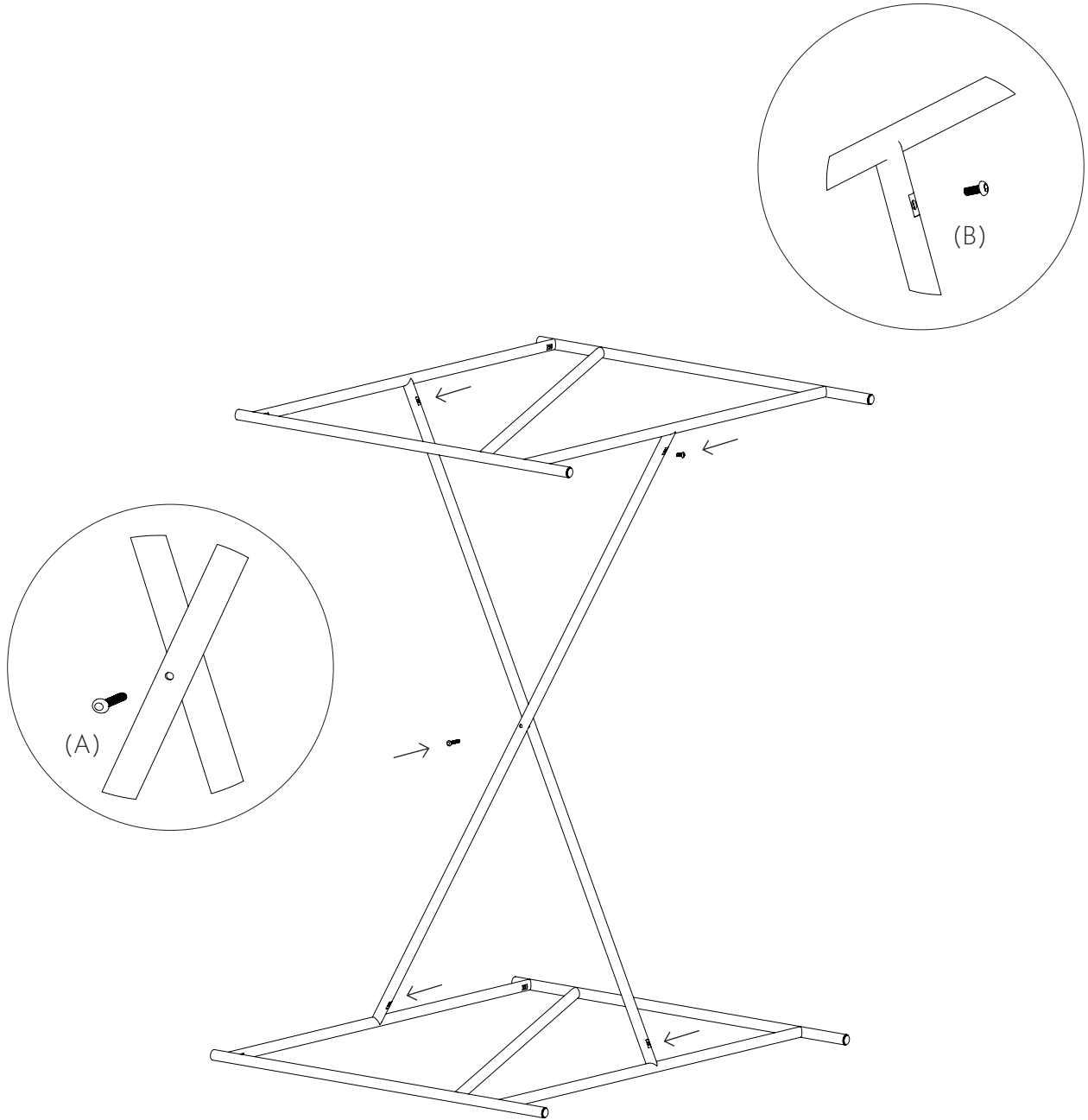
2



# HANDVÄRK

Dining Table 185

3

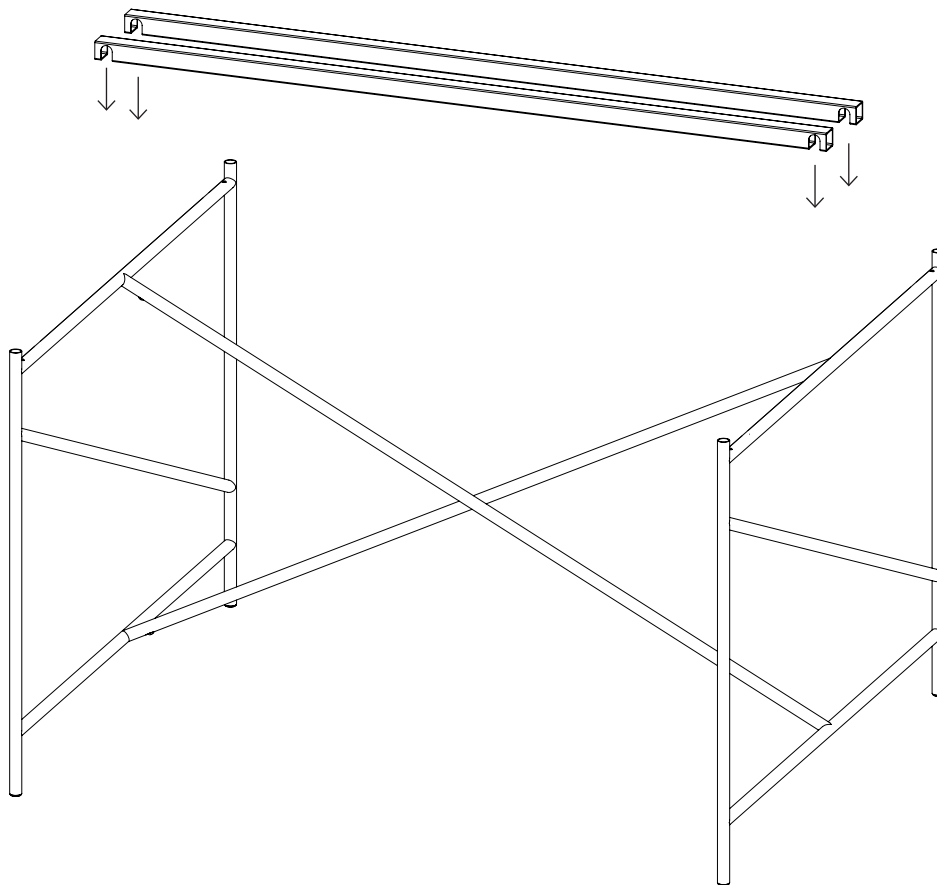
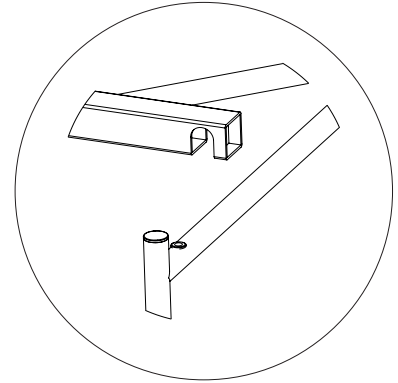


# HANDVÄRK

Dining Table 185

---

4

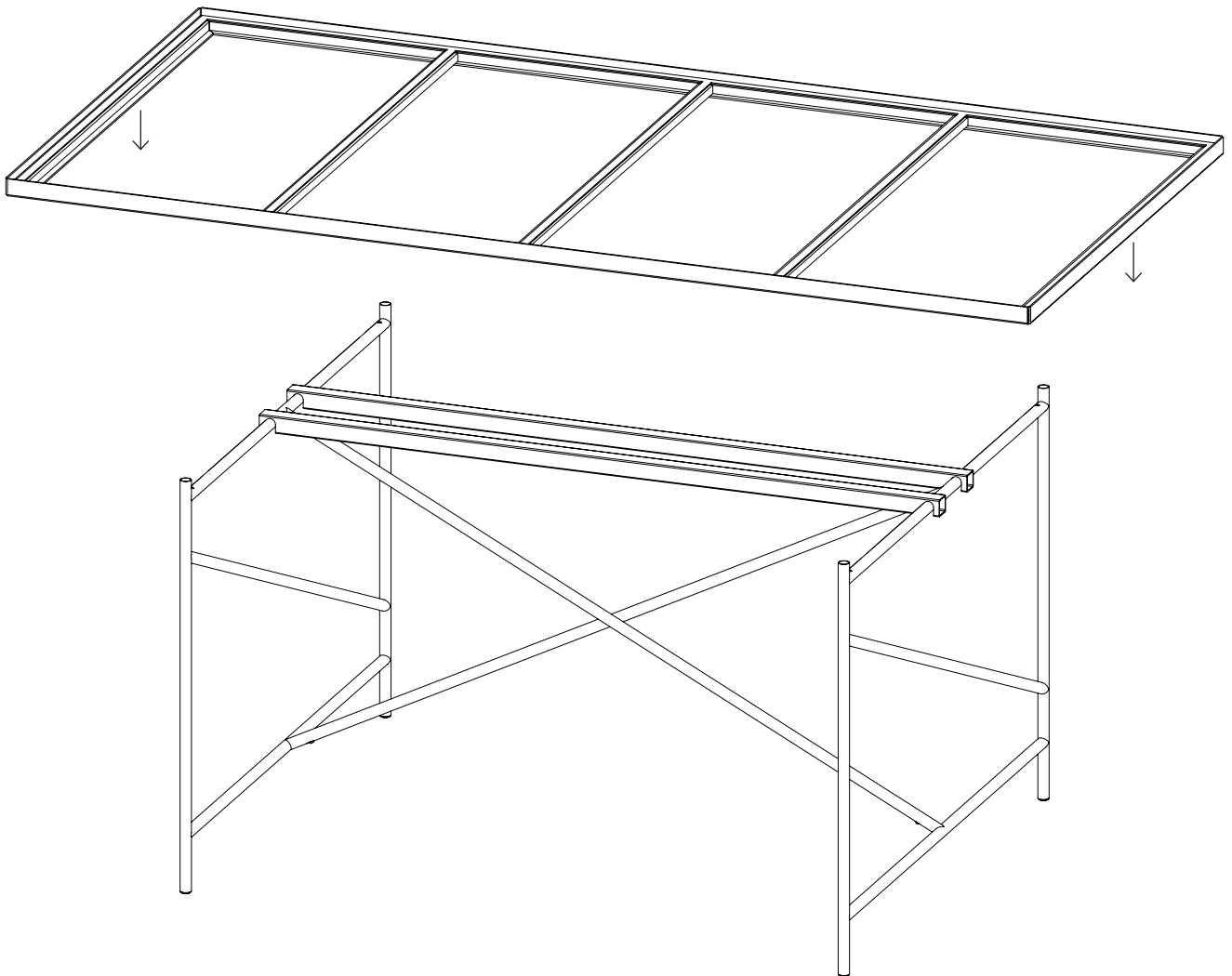


# HANDVÄRK

Dining Table 185

---

5

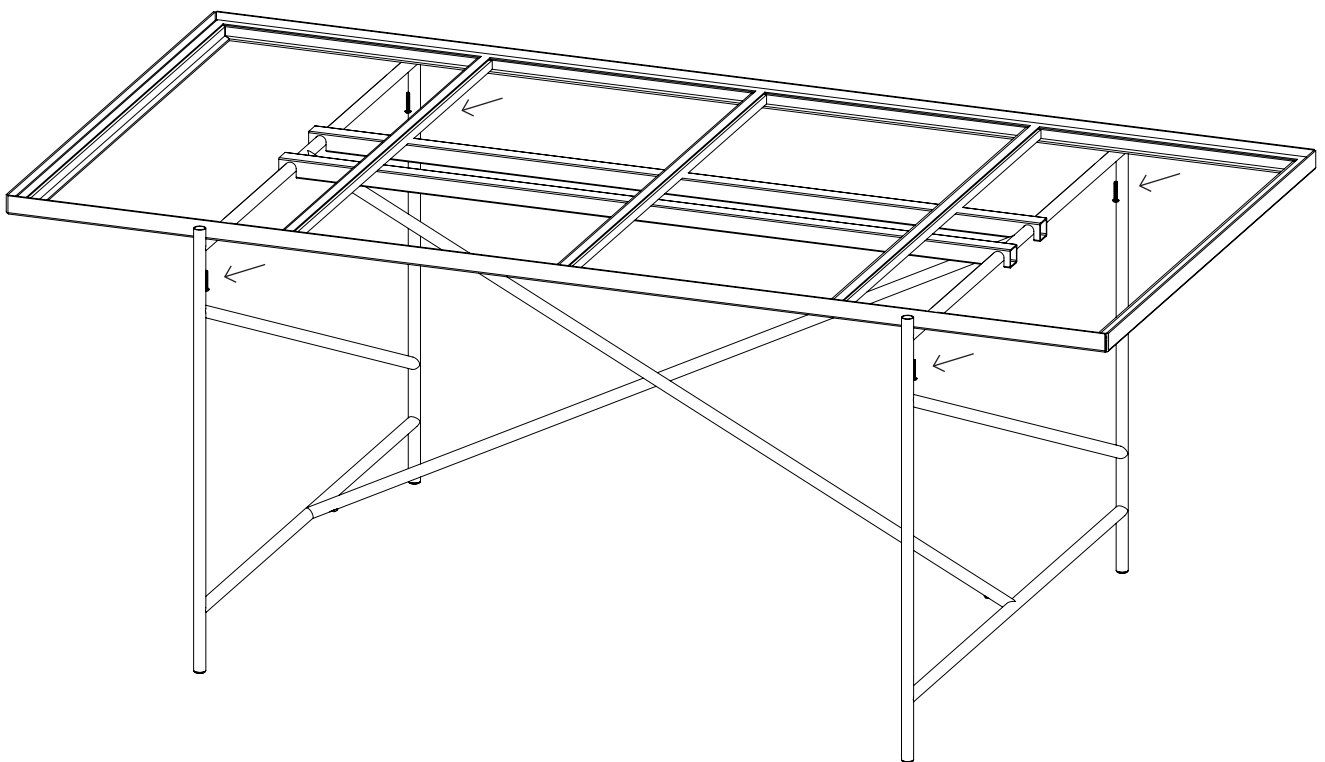
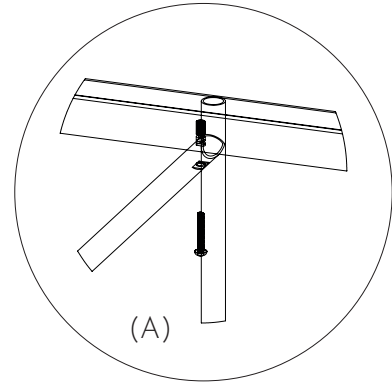


# HANDVÄRK

Dining Table 185

---

6



Tighten all screws again once finished

---

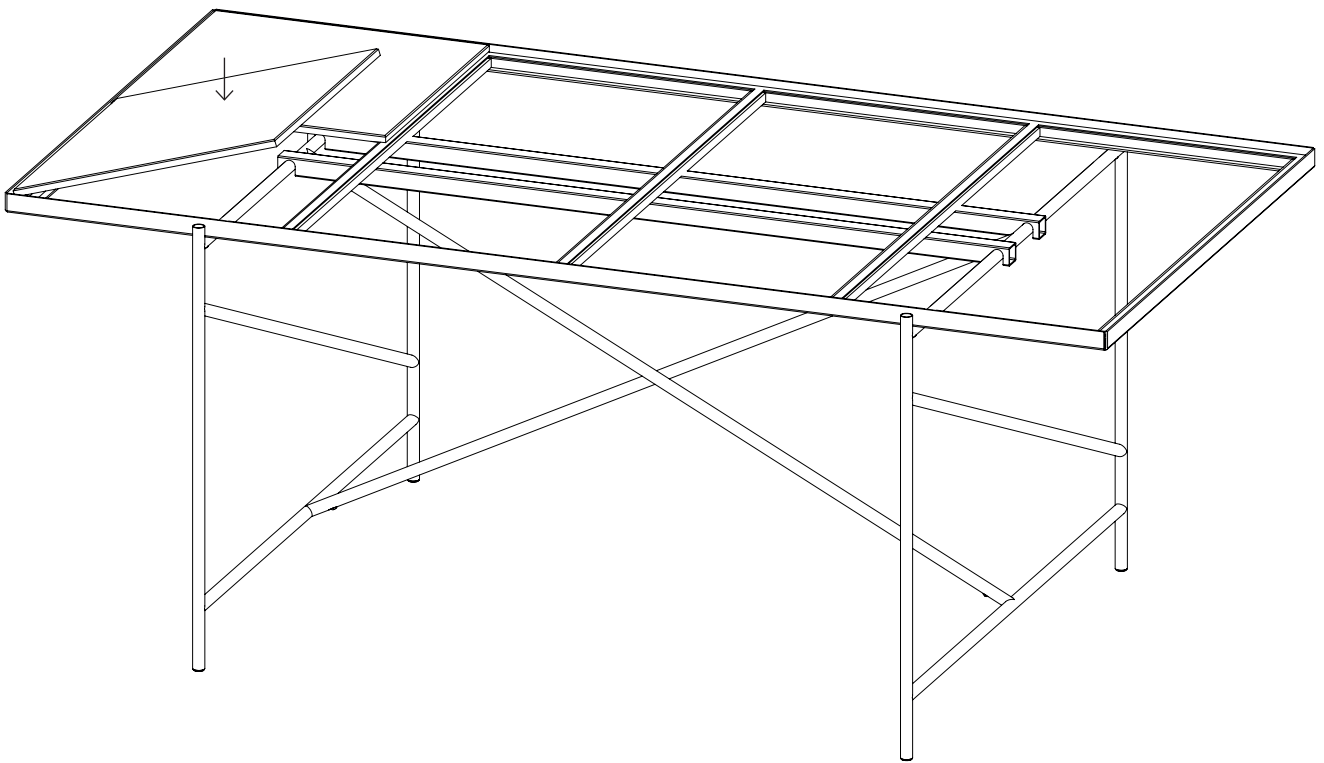


# HANDVÄRK

Dining Table 185

---

7

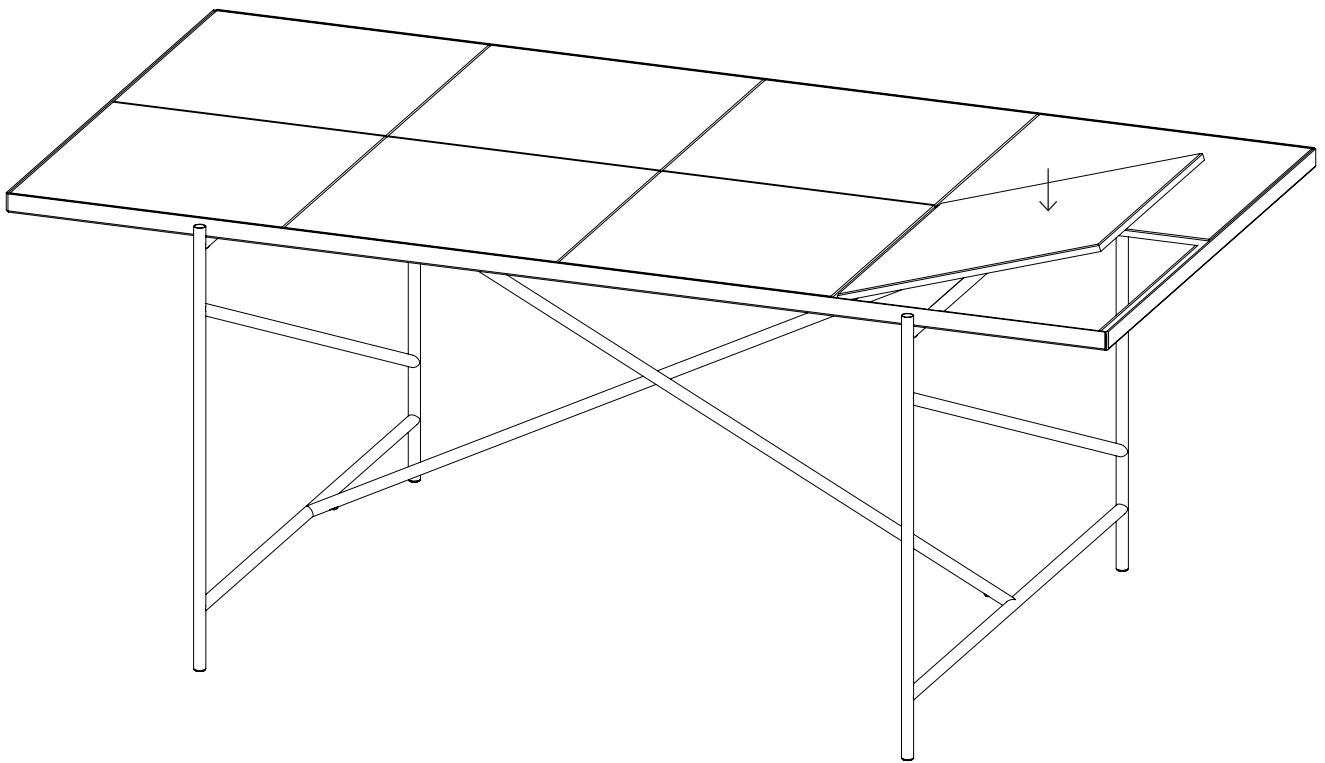


# HANDVÄRK

Dining Table 185

---

8

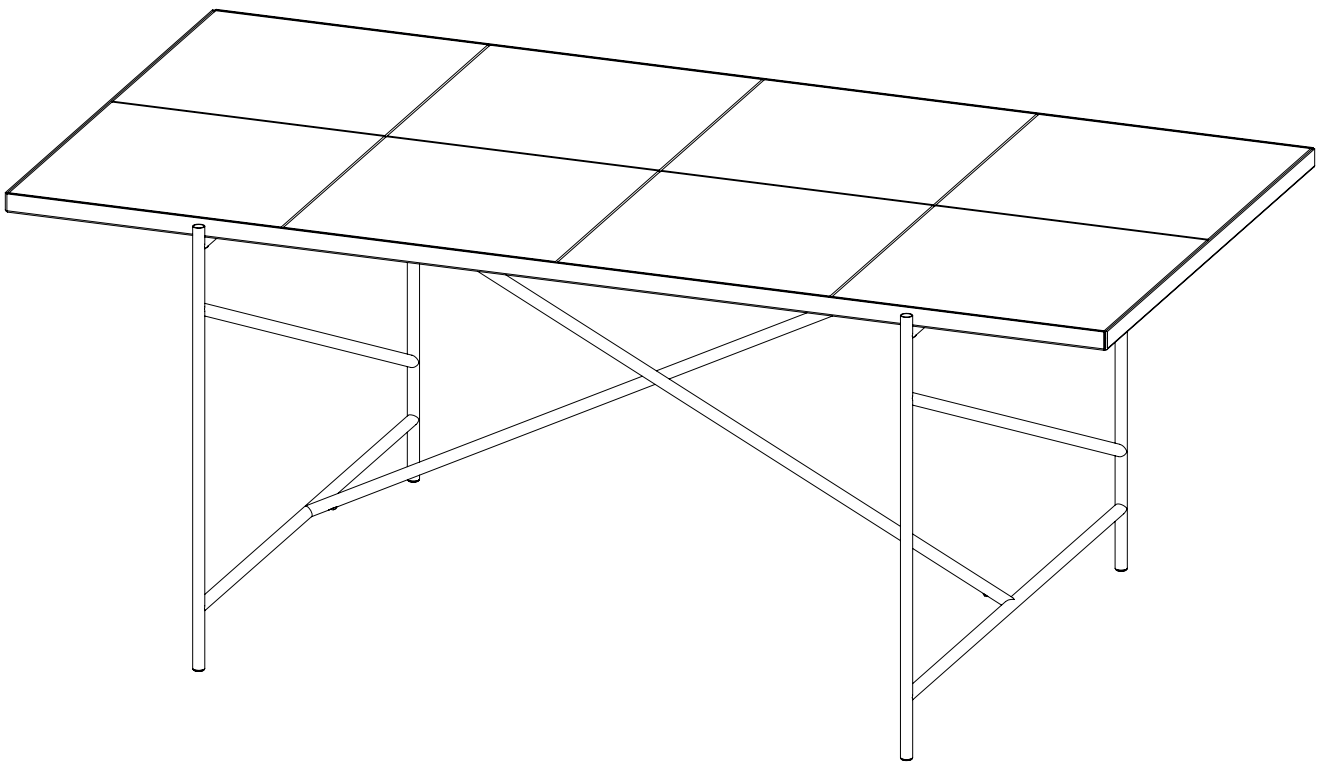


# HANDVÄRK

Dining Table 185

---

9



# HANDVÄRK

HANDVÄRK ApS | Aarhusgade 136A | 2150 Nordhavn | Copenhagen Denmark  
info@handvark.com | +45 31 777 943 | www.handvark.com