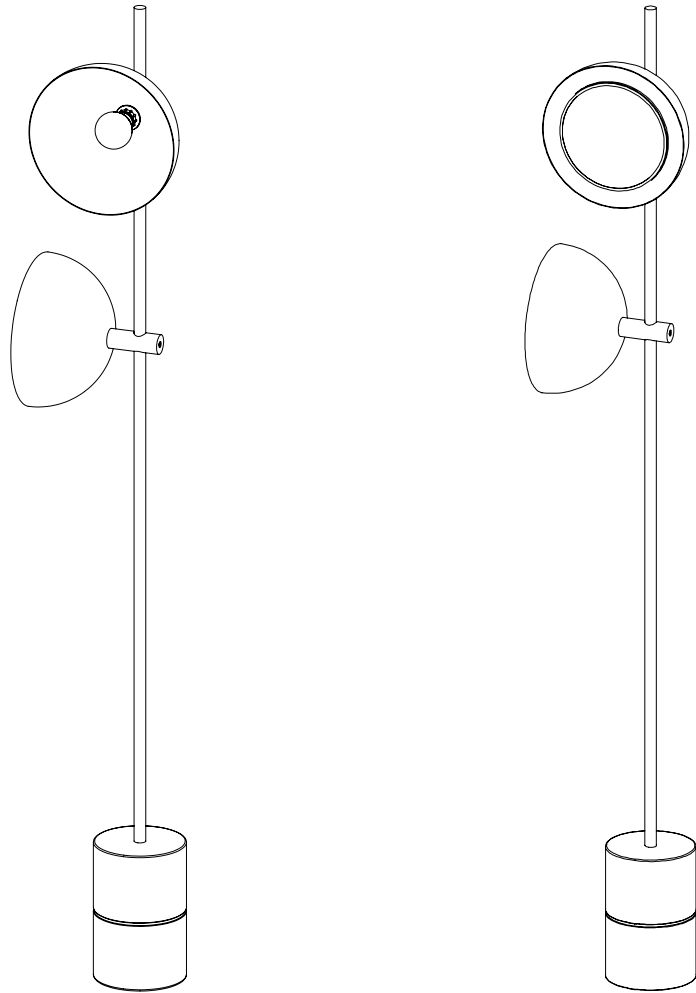


# HANDVÄRK

---



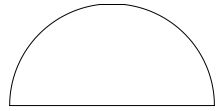
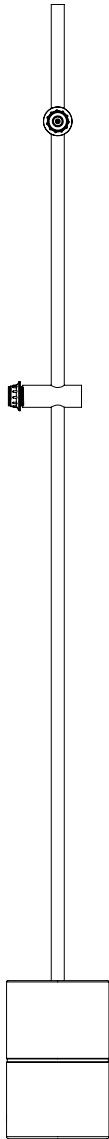
Studio Floor Lamp  
Assembly Instructions

---

# HANDVÄRK

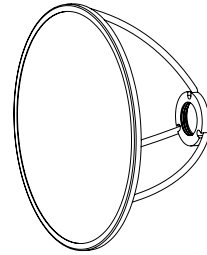
Studio Floor Lamp

---



x 2

Optional  
Diffuser



x 2

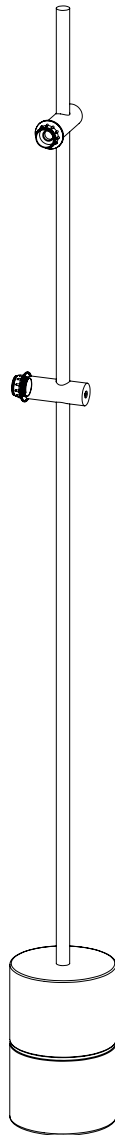
---

# HANDVÄRK

Studio Floor Lamp

---

1

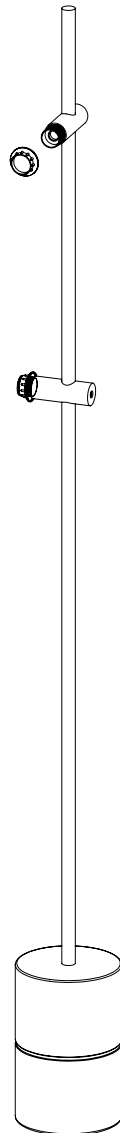
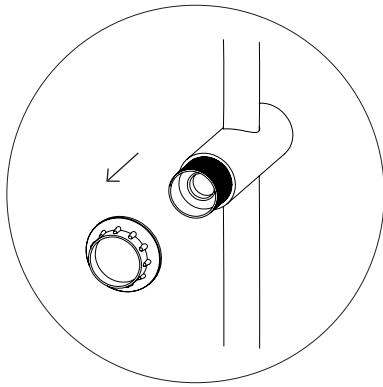


# HANDVÄRK

Studio Floor Lamp

---

2

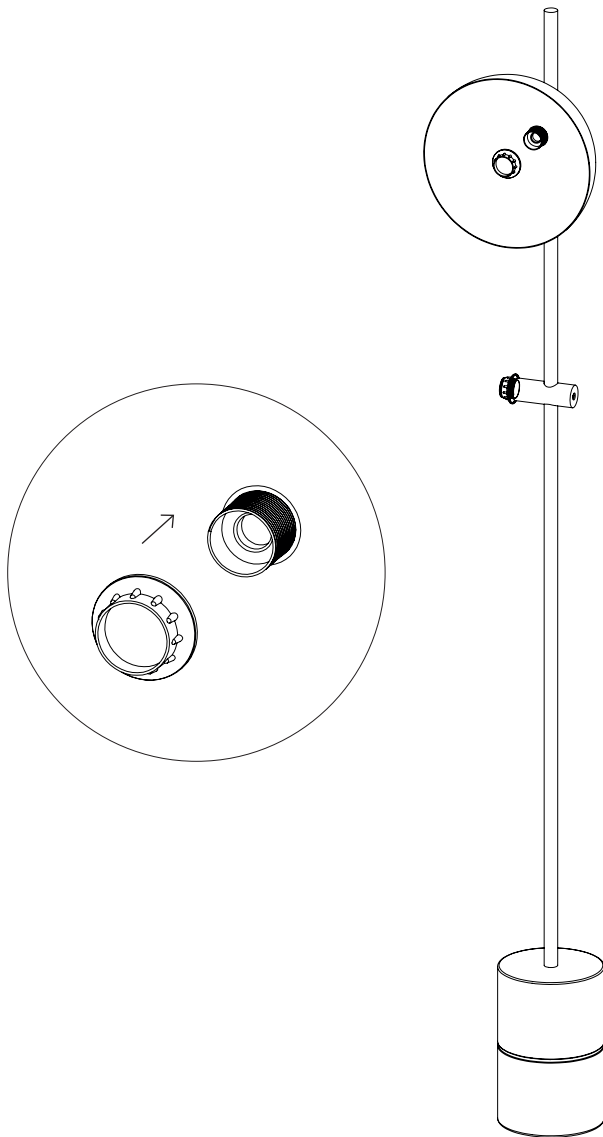


# HANDVÄRK

Studio Floor Lamp

---

3



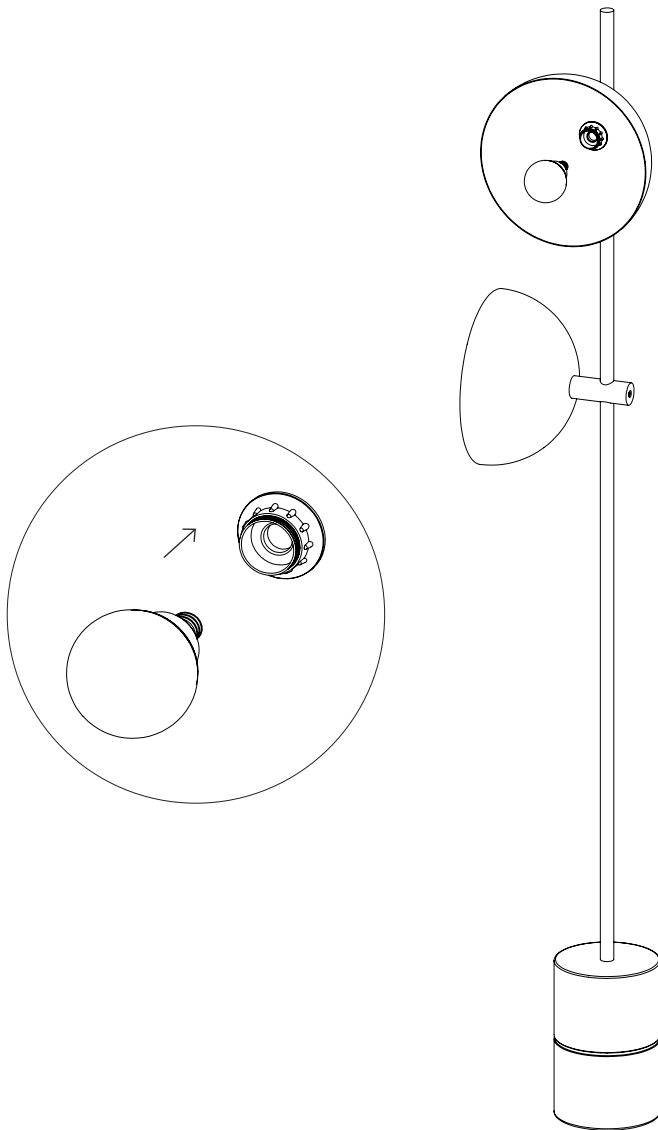
# HANDVÄRK

## Studio Floor Lamp

---

Skip to Step 6 if you have purchased diffusers

4

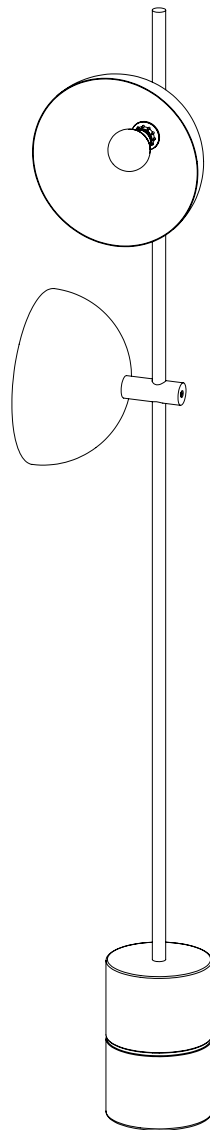


# HANDVÄRK

Studio Floor Lamp

---

5



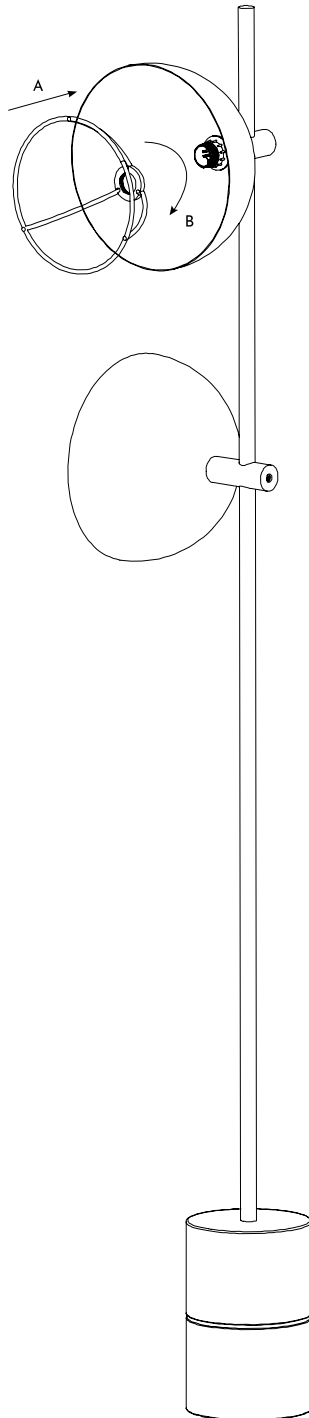
# HANDVÄRK

## Studio Floor Lamp

---

### 6 Optional Diffuser

Do not screw too  
tight



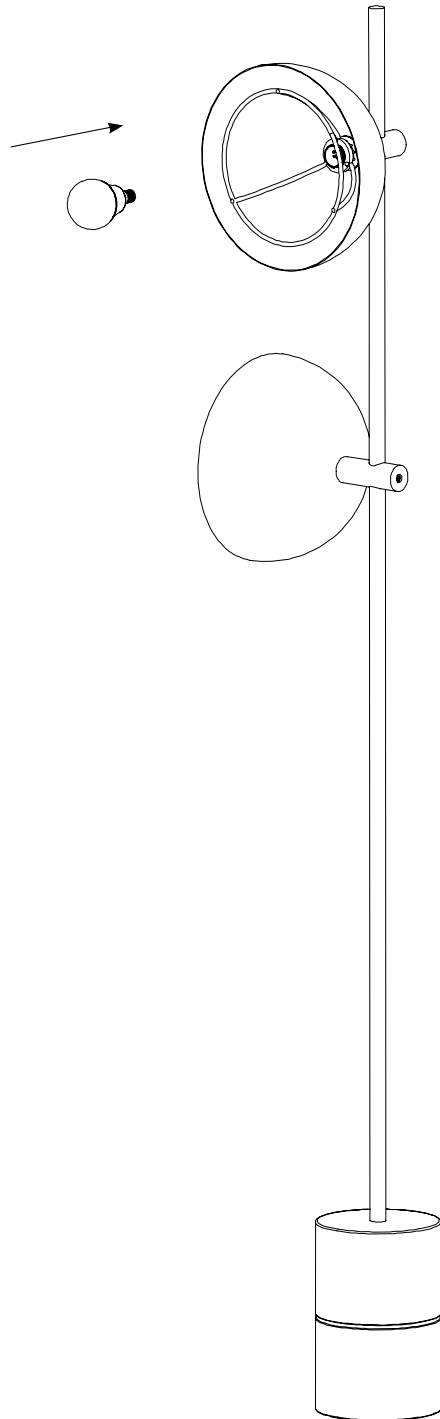


# HANDVÄRK

Studio Floor Lamp

---

7

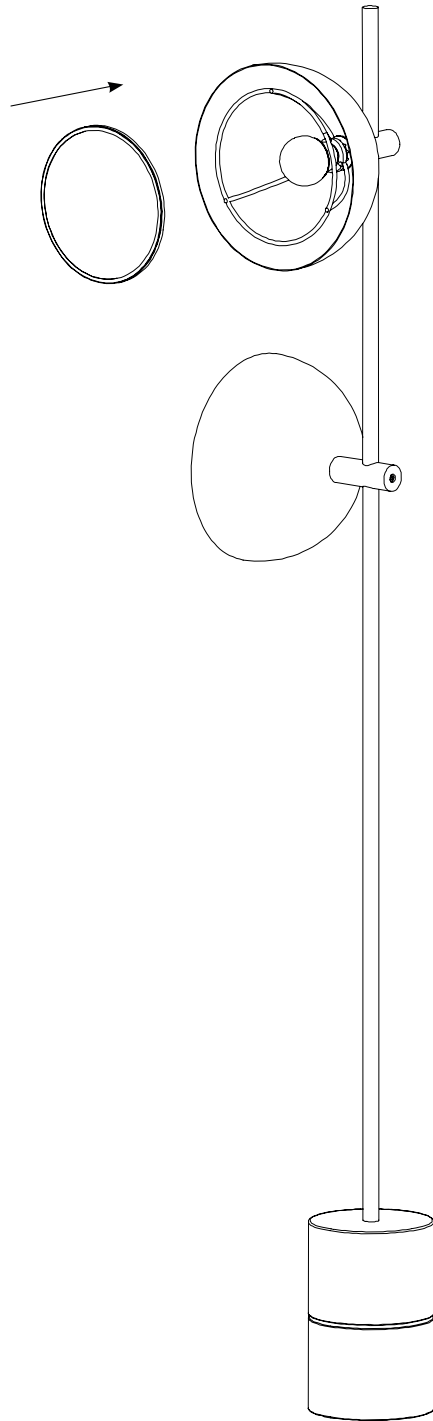


# HANDVÄRK

Studio Floor Lamp

---

8



# HANDVÄRK

HANDVÄRK ApS | Aarhusgade 136A | 2150 Nordhavn | Copenhagen Denmark  
info@handvark.com | +45 31 777 943 | www.handvark.com