

HANG OUT | COFFEE TABLE

Designed by Jonas Søndergaard



DIMENSIONS

Ø: 80 cm / 31.5"
H: 48.9 cm / 19.3"



MATERIAL

Solid oak, MDF, leather (faux leather), polyester and steel



CONSTRUCTION

Frame: Solid oak. Clear top coat wood finish. **Legs:** Solid oak. Legs attached with bolts and insert bushings.

Plate: MDF with American white oak laminated veneer on sides. **Brackets:** Electroplated steel (brass/steel look).

Hooks for bag: Electroplated steel (brass/steel look).

Fabric: 100% polyester. Moisture barrier added between fabric and filling to prevent moisture penetration. Leather on bag made within the REACH standards.



WEIGHT INCL. PACKAGING

11 kg / 24.3 lb



PACKAGING DIMENSIONS (L x W x H)

80 x 98 x 7 cm / 31.5 x 39 x 2.8"



ASSEMBLY TIME

20 min - video guide at umage.com



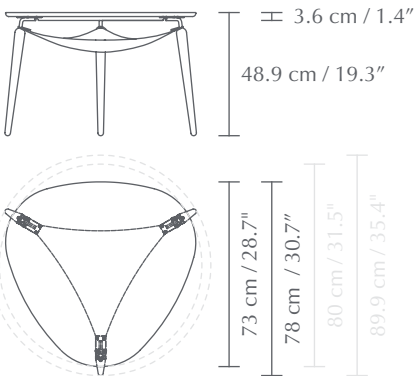
MEDIA KIT

Photos and press material
Download at umage.presscloud.com



ORDERING INFORMATION

Hang Out oak brass	#5570
Hang Out oak steel	#5579
Hang Out dark oak brass	#5770
Hang Out black oak brass	#5114



Colour variations



oak
brass



oak
steel



dark oak
brass



black oak
brass



ASTERIA MOVE

Designed by Søren Ravn Christensen



GATHER AROUND, IT'S COFFEE TIME

With its clean and minimal organic shape, as well as the combination of wood and fine metal details, the Hang Out coffee table has a classic Scandinavian expression. Thin graceful legs attached to a slender metal bracket and sculptured rounded table top give Hang Out a light and airy profile.

Underneath the table top, a special bag is suspended across Hang Out's three legs like a hammock. The stylish two-sided leather and textile bag is perfect for storing small items. With both a leather and textile side, Hang Out's bag can be easily swapped around to add a different expression to your interior.

Find more info on our website umage.com

