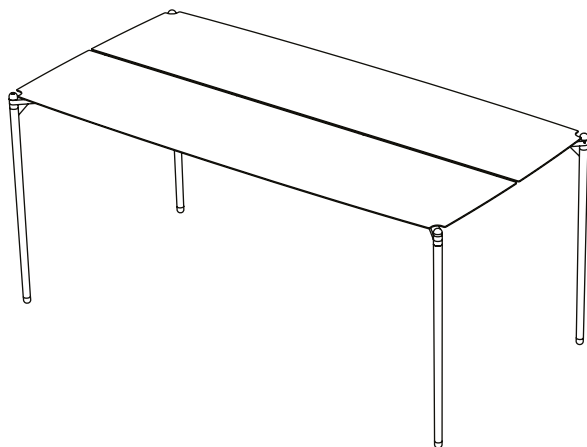


# NOVO

---



AYTM



A x 4 ( M8 x 30mm )



B x 4 ( M8 x flat washer )



C x 4 ( M8 x spring washer )



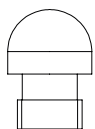
D x 4 ( M4 x 4mm )



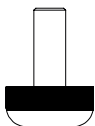
x 1 ( allen key for M8 )



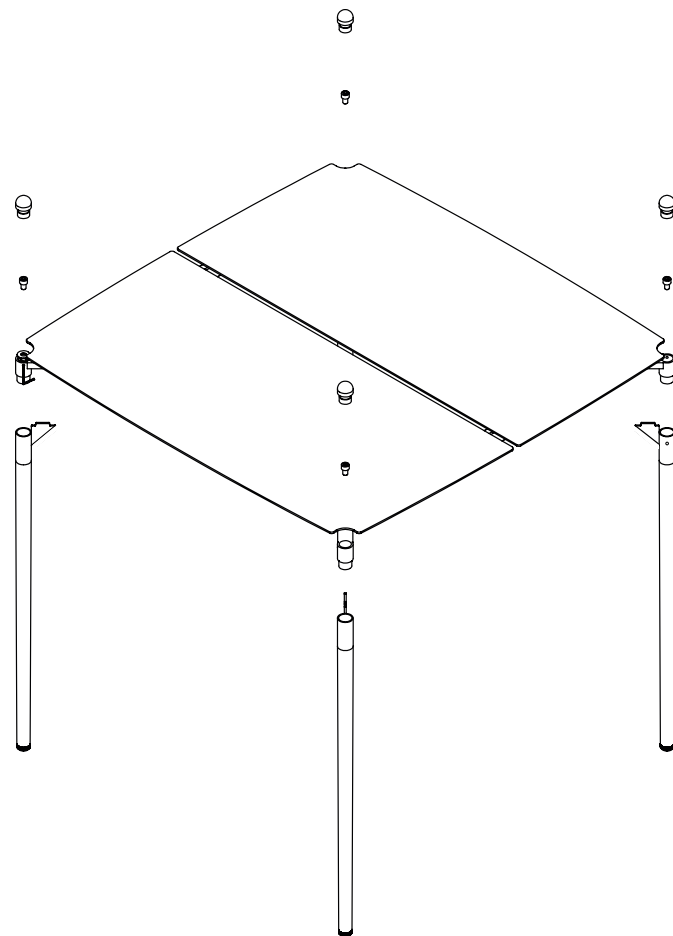
x 1 ( allen key for M4 )



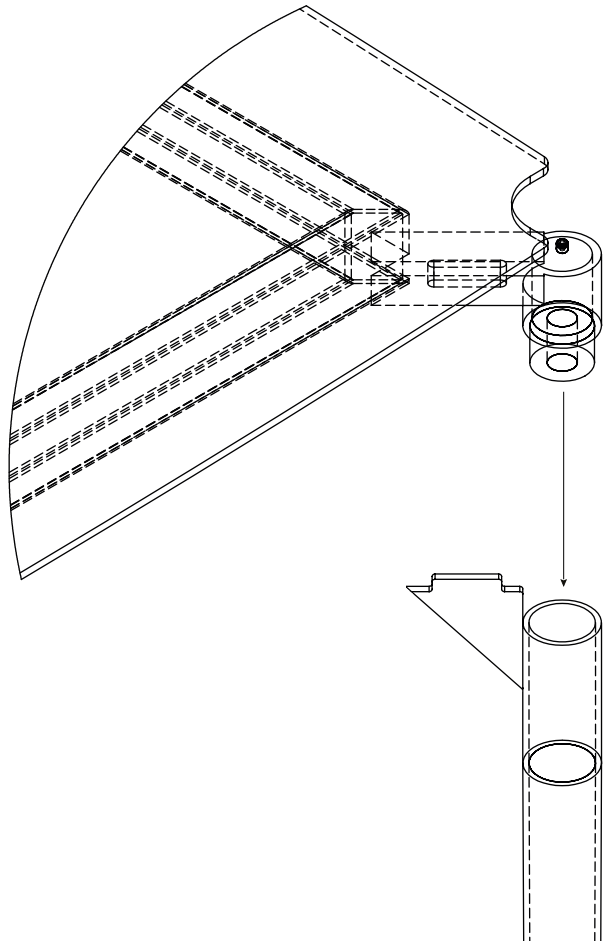
x 4 ( decoration part )



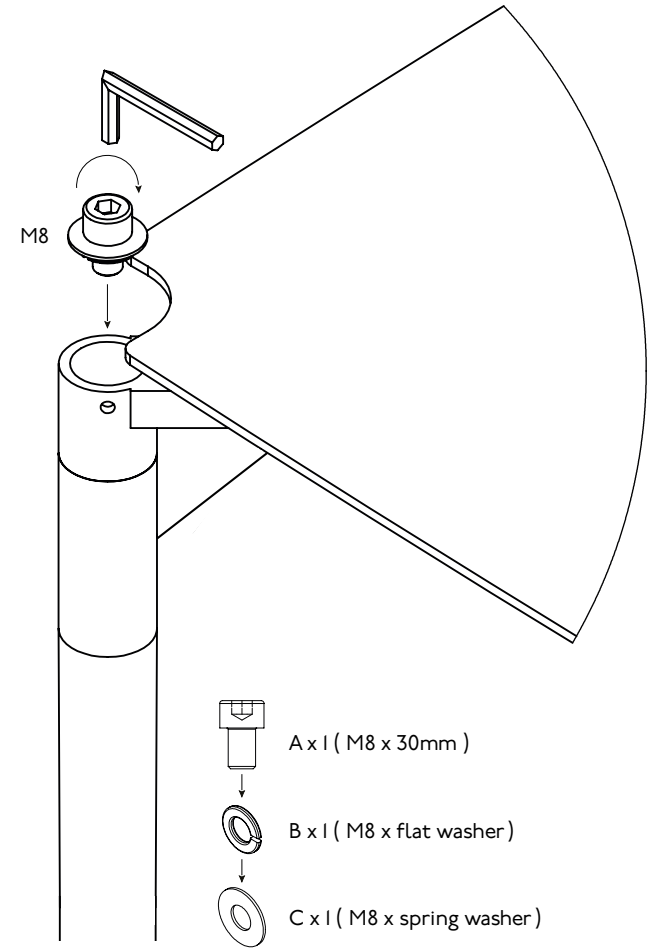
x 4 ( adjustable feet )



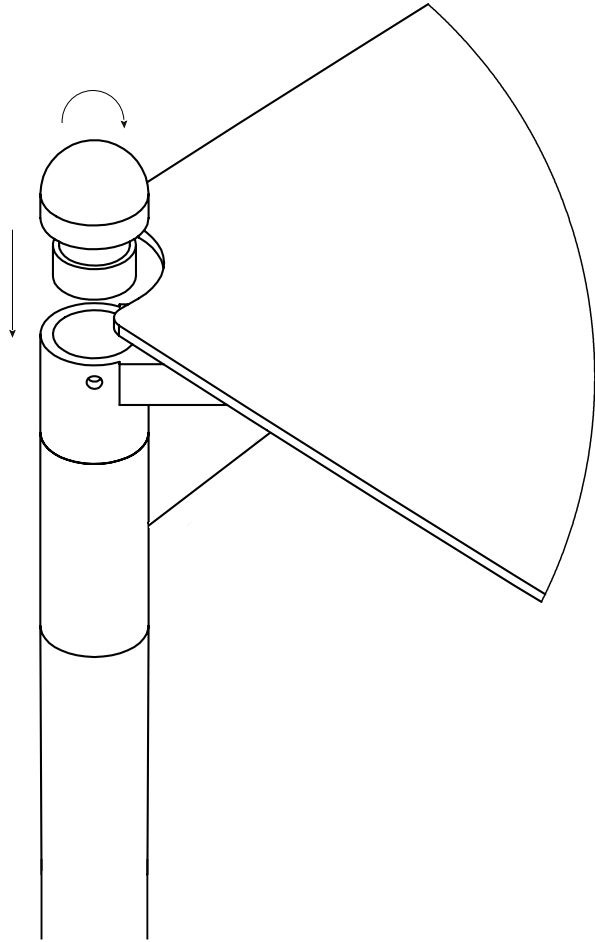
1



2



3



4

