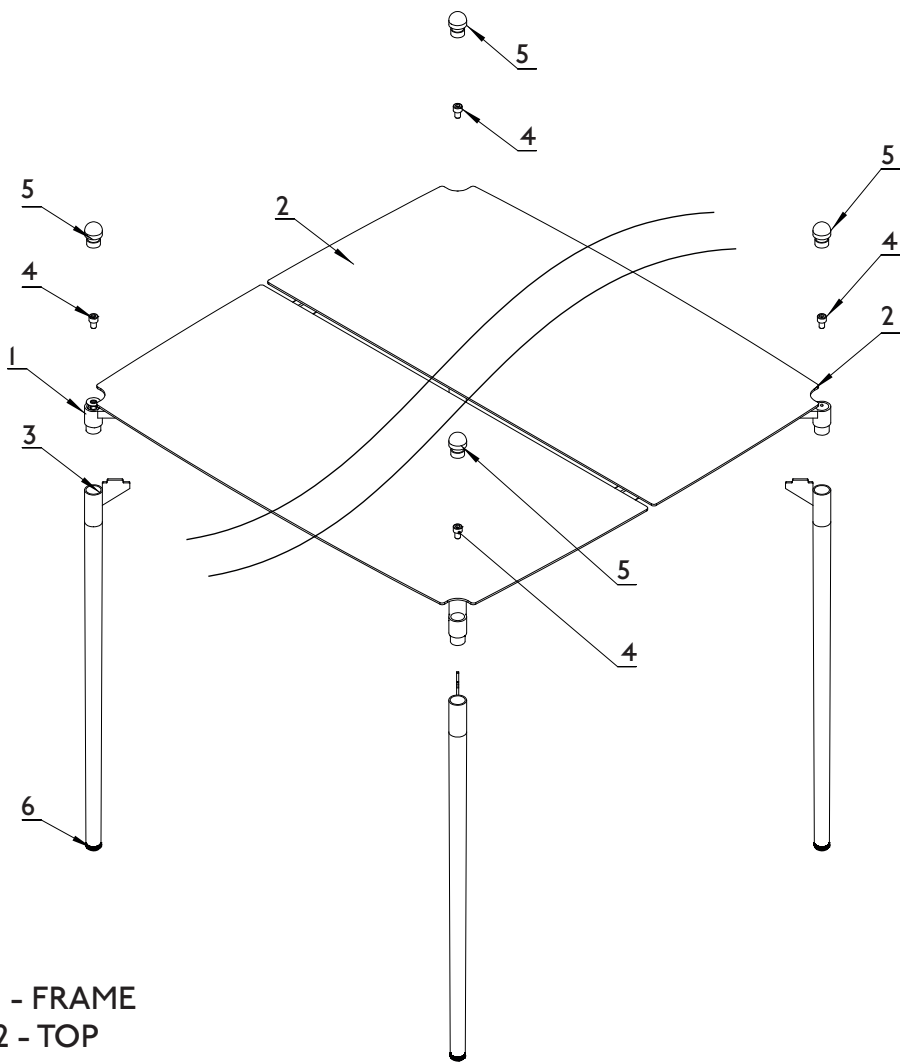


# NOVO

---



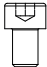



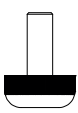
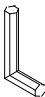
AYTM

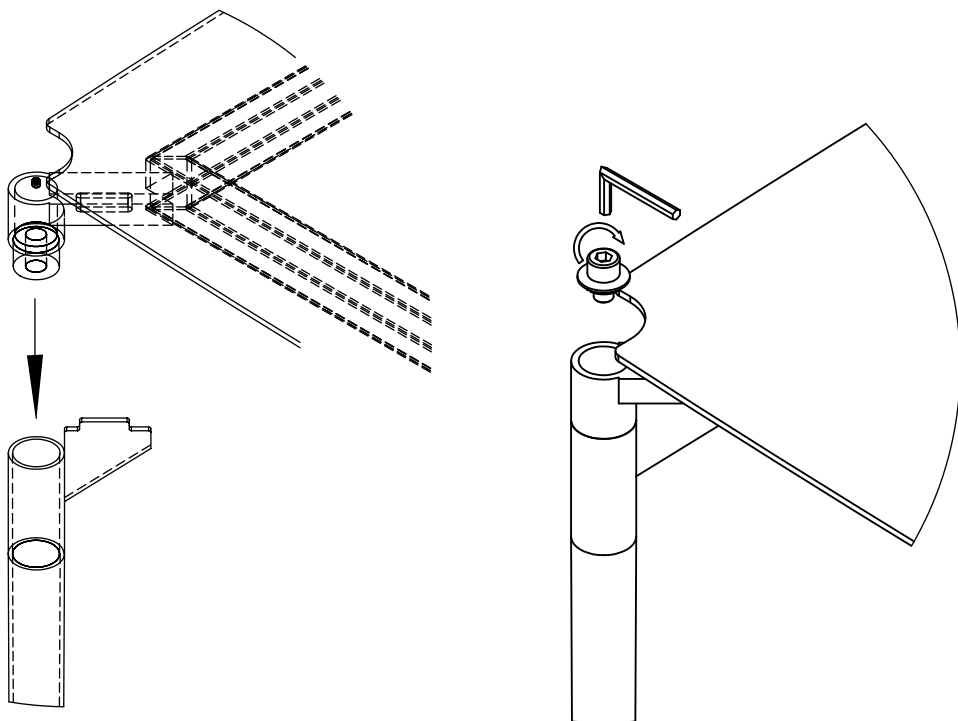


1 - FRAME

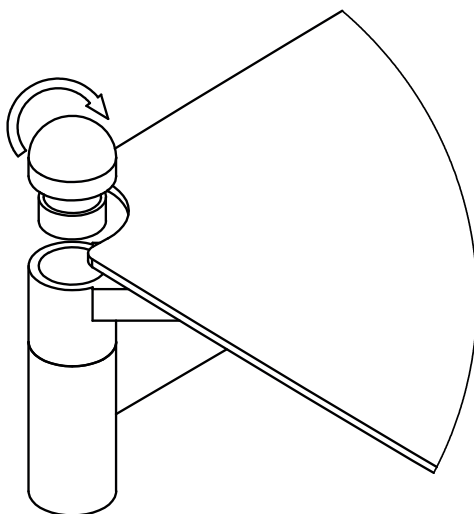
2 - TOP

3 - LEGS

<p><b>4</b></p>  <p>x 4</p>	 <p>x 4</p>	 <p>x 4</p>
<p><b>5</b></p>  <p>x 4</p>	<p><b>6</b></p>  <p>x 4</p>	 <p>x 1</p>



The decoration cap must be screwed on tightly





AYTMDESIGN.COM  
#AYTM