

CONO

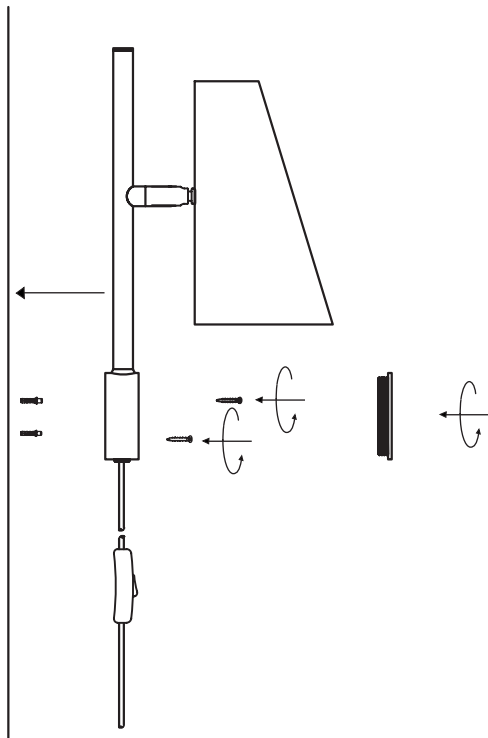
WALL LAMP

INSTRUCTIONS MANUAL

W0UD

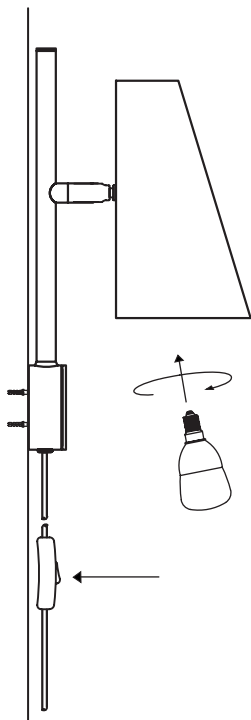
STEP 1

MARK AND DRILL HOLES IN THE WALL. APPLY FITTING WALL PLUGS AND THEN MOUNT THE CONO WALL LAMP USING THE SCREWS AND A SCREW DRIVER. SCREW ON THE METAL CAP WITH YOUR HAND.



STEP 2

WHEN THE LAMP IS ON THE WALL THEN
INSERT A SUITABLE LIGHT BULB.
TURN IT ON AND ENJOY.



SAFETY INSTRUCTIONS



IF THE EXTERNAL FLEXIBLE CABLE OR CORD OF THIS LUMINAIRE IS DAMAGED, IT SHALL BE EXCLUSIVELY REPLACED BY THE MANUFACTURER OR SIMILAR QUALIFIED PERSON IN ORDER TO AVOID A HAZARD.

THE LAMP IS ONLY INTENDED FOR INTERIOR USE.

LAMP EXTERIOR CAN GET HOT AFTER PROLONGED USE.

ENSURE BULB HAS FULLY COOLED BEFORE ATTEMPTING TO REMOVE IT.

PROTECT FROM CONTACT WITH LIQUIDS.

DO NOT PLACE THE CABLE IN REACH OF SMALL CHILDREN OR ANYWHERE THERE IS A RISK OF FALLING OVER IT.

WARNING: MUST BE INSTALLED BY A LICENCED ELECTRICIAN.