

Stay Collection // Lounge Chair Small Swivel

Designed by SPACE

PRODUCT



DESCRIPTION

Stay here, stay with me, stay relaxed, stay and read... Stay Collection, consisting of two lounge chairs and three sofas, has a sculptural and organic shape that, besides from giving a contemporary look, also embraces the user and encourages to stay seated. The characteristic shape is almost like a singular continuous pencil stroke wrapping a solid texture. The collection is suitable for both public spaces and private homes as its small size fits very well to populate spaces of limited size where keeping cosiness and comfort are essential.

VERSION

- Fully upholstered / black base

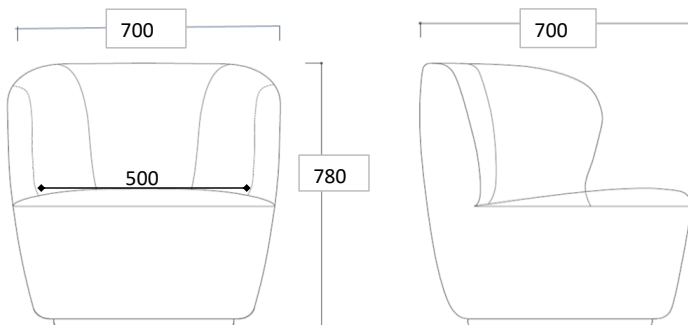
TYPES

Order item - look for part number in the pricelist.
The series consists of the following:

Stay Sofa , W: 70 cm // L: 150 cm, 190 cm, 260 cm.
Stay Sofa , W: 95 cm // L: 190 cm, 220 cm, 260 cm
Stay Sofa , W: 110 cm // L: 220 cm, 260 cm
Stay Lounge Chair - Large
Stay Lounge Chair - Small
Stay Lounge Chair - Small Swivel
Stay Ottoman



MEASUREMENTS



FACTS

MEASUREMENT - H X L X W: MM

Height: 780 mm
Length: 700 mm
Width: 700 mm
Sitting height: 410 mm
Sitting depth: 550 mm
Sitting width: 500 mm

WEIGHT ITEM
23 kg

PACKAGING MEASUREMENT - L x W x H CM
73x73x78 cm

PACKAGING - MATERIAL TYPE

- Delivery note
- Cardboard box
- Polybag PE
- Bubble wrap
- Strapping

WEIGHT PACKAGING - TOTAL
2 kg

NUMBER OF PARCELS
1

FABRIC CONSUMPTION
140 cm x 250 cm

Stay Collection // Lounge Chair Small Swivel

Designed by SPACE

CLEANING AND MAINTENANCE

For cleaning the upholstered surface, first try to brush off the dirt gently. If this is not enough then vacuum the surface. If further cleaning of the padding is needed, a stain remover is recommended. The cleaning has to be gentle and must always be tested on the most invisible area of the surface before the actual cleaning.

Avoid blotches by gentle, circular rubbing towards the stain. To avoid stains, quickly remove the dirt with a piece of absorbing household wipe and clean with water and colourless washing-up liquid.

Do not use the following products for the padding:

- Undiluted cleaning liquids.
- Bleach.
- Ammoniac.
- Soap for hard surfaces.

For further cleaning guidance, we refer to information regarding the specific textile.

ENVIRONMENT

Parts can be separated and sorted for recycling.

TESTS

-

CERTIFICATION AND LABELS

-