

STONE

ASSEMBLY INSTRUCTION

W0UD

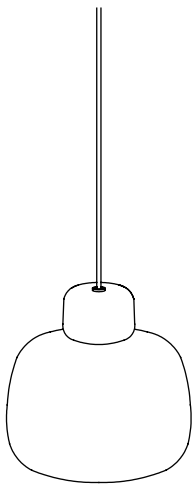
THE STONE PENDANT IS INSPIRED BY THE
SOFTNESS OF BEACH STONES. THESE
CHARACTERISTIC SHAPES ARE MADE IN THE
LIFE OF BEING IN WATER, SAND AND WIND.
STACKING TWO ROUND STONES IS ONE
OF THE OLDEST HUMAN EXPRESSIONS
- A SIMPLE MARK IN THE LANDSCAPE.

A stylized, handwritten signature in black ink, appearing to read 'Philip Bro'. The signature is fluid and cursive, with a large initial 'P' and 'B'.

PHILIP BRO

ASSEMBLY INSTRUCTION

**PLEASE GO THROUGH THE FOLLOWING
STEPS CAREFULLY. RETAIN THIS MANUAL
FOR FUTURE REFERENCE TO ENSURE THAT
YOUR NEW ITEM IS CORRECTLY ASSEMBLED
IN CASE IT SHOULD BE DISASSEMBLED OR
MOVED. WE ARE NOT RESPONSIBLE FOR
ANY FAULTS OR DAMAGES CAUSED BY
NOT FOLLOWING THESE INSTRUCTIONS
CORRECTLY.**



A x 1



B x 2



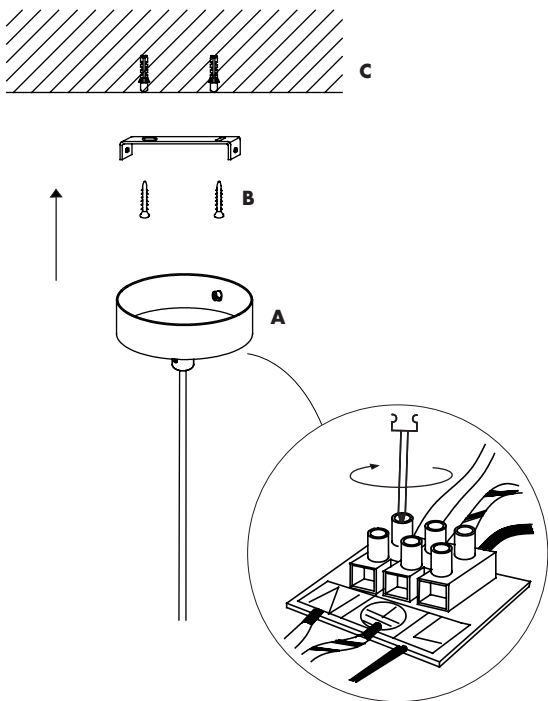
C x 2



NOT INCLUDED

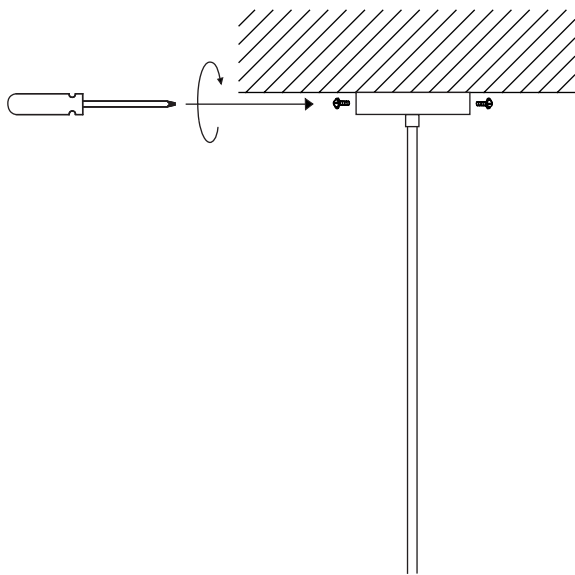
STEP 1

DECIDE THE LENGTH OF THE CORD AND MOUNT THE CEILING ROSE BRACKET USING THE WALL PLUGS AND SCREWS.



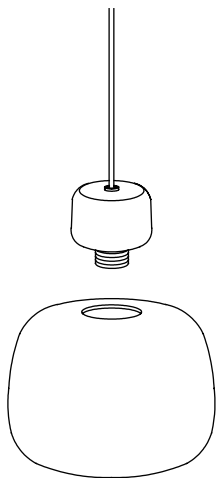
STEP 2

MOUNT THE CEILING ROSE TO THE BRACKET
USING THE SMALL SCREW BOLTS.



STEP 3

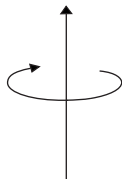
MOUNT THE SOCKET TO THE SHADE
AND INSERT A SUITABLE LIGHT BULB.



STEP 3.1



STEP 3.2



SAFETY INSTRUCTIONS



IF THE EXTERNAL FLEXIBLE CABLE OR CORD OF THIS LUMINAIRE IS DAMAGED, IT SHALL BE EXCLUSIVELY REPLACED BY THE MANUFACTURER OR SIMILAR QUALIFIED PERSON IN ORDER TO AVOID A HAZARD.

THE LAMP IS ONLY INTENDED FOR INTERIOR USE.

LAMP EXTERIOR CAN GET HOT AFTER PROLONGED USE.

ENSURE BULB HAS FULLY COOLED BEFORE ATTEMPTING TO REMOVE IT.

PROTECT FROM CONTACT WITH LIQUIDS.

DO NOT PLACE THE CABLE IN REACH OF SMALL CHILDREN OR ANYWHERE THERE IS A RISK OF FALLING OVER IT.

WARNING: MUST BE INSTALLED BY A LICENCED ELECTRICIAN.

DESIGNED BY
PHILIP BRO